



AZ
ironMONGERY
ALLIANCZ INTERNATIONAL PTE LTD



PRODUCT CATALOGUE



Alliancz International Pte Ltd

CONTENT PAGE

AZIRONMONGERY CATALOGUE



VACHETTE CATALOGUE



MIWA CATALOGUE



Disclaimer

Information in this catalogue is correct at the time of printing and valid but may be subject to change.

This material does not purport to constitute legal or professional advice. Alliancz accepts no responsibility for and makes no representations, whether express or implied, as to the accuracy or reliability in any respect of any material in this publication. Except to the extent mandated otherwise by legislation, Alliancz does not accept responsibility for the consequences of any reliance which may be placed on this material by any person.

Alliancz will not be liable to you or to any other person for any loss or damage (including direct, consequential or economic loss or damage) however caused and whether by negligence or otherwise which may result directly or indirectly from the use of this publication.

Copyright Alliancz International
© Alliancz International 2018.

Except as permitted by the Copyright Act, this material may not be reproduced, stored or transmitted without the permission of the copyright owner. All enquiries must be directed to Alliancz International.

Published by Alliancz International 2018.

CONTENT PAGE

WHAT IS AZIRONMONGERY?	5
WHY CHOOSE AZIRONMONGERY?	5
BENEFITS	6
ONE SINGLE KEY	7
AZIRONMONGERY MORTISE LOCK CATALOGUE	8
AZIRONMONGERY HINGES CATALOGUE	13
AZIRONMONGERY CYLINDER CATALOGUE	16
AZIRONMONGERY DOOR STOPPERS CATALOGUE	20
AZIRONMONGERY DOOR CLOSERS CATALOGUE	24
AZ IRONMONGERY DOOR CLOSER ACCESSORIES	31
AZIRONMONGERY FLUSH BOLTS CATALOGUE	33
AZIRONMONGERY GLASSDOOR HARDWARE CATALOGUE	36
AZIRONMONGERY DOOR ACCESSORIES CATALOGUE	38
AZIRONMONGERY PULL HANDLE CATALOGUE	42

WHAT IS AZIRONMONGERY?

AZIronmongery is an in-house developed security system brand that plays an intrinsic role in regional security technology. Alliancz International primarily focuses on supplying premium security solutions to our customers at affordable prices, in both commercial and residential projects. At Alliancz International we aim to work cohesively on each project undertaken and provide a customised solution.

WHY CHOOSE AZIRONMONGERY?

Our core brand values are security, dependability and innovation. With an established reputation that stems almost a decade long supplying security systems; AZIronmongery have since become the preferred security system provider among a myriad of prestigious hotel operators and developers.

AZIronmongery select the ideal security system to suit individual project based needs, with a wide variety of products including door stops, handles and additional accessories to compliment.



BENEFITS

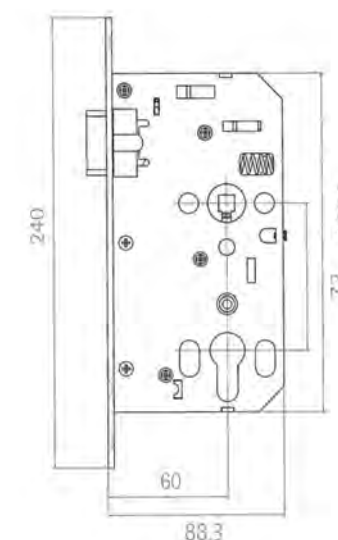
- One stop shop for both Ironmongery and door solutions
- Preferred solution
- Suitable for commercial and residential projects
- Value for money packages
- Continual dedication to develop new and innovative solutions
- Customisable designs

AZIRONMONGERY MORTISE LOCK CATALOGUE

The mortise lock body is the backbone of door security, it is what combines the cylinder, lock and handle functions into a secure, door locking solution. But of course not one size fits all, so we offer a wide range of mortise lock bodies that provide a wide variety of security at different levels. All of our mortise locks comply with SS:332 fire safety compliance.

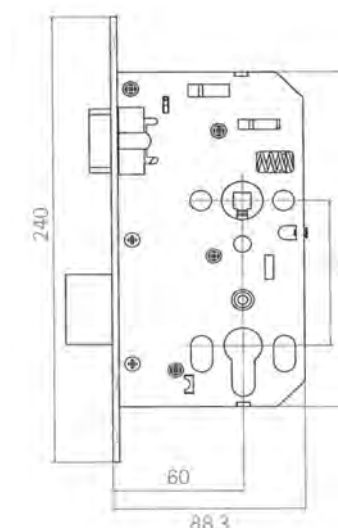
AZ 7005/60 NIGHTLATCH

Locks the door upon closing, can be opened from the inside, key required on the outside. Standard dimensions, complete with strike plate (universal for left and right handed doors) and box as standard.



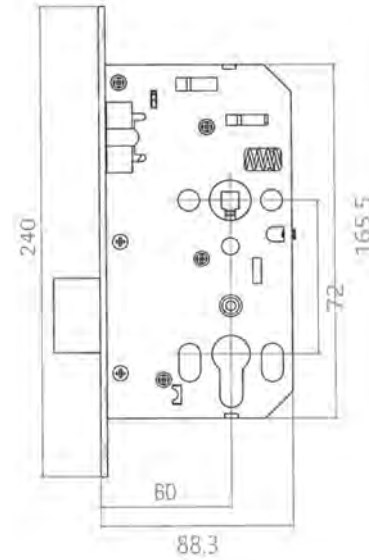
AZ 7003/60 SASHLOCK

Deadbolt and latch incorporated into the same lock case. Latch operated by handle, deadbolt operated by key and/or thumb turn. Can be used with any range of AZ cylinders for a range of locking options.



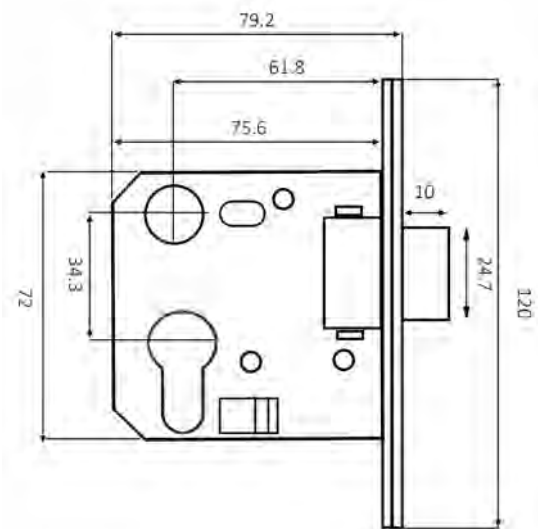
AZ 7020/60 DEADLOCK

Heavy duty mortise lock for ultimate security. Double throw deadlock withstanding up to 490DaN. Standard Dimensions, complete with strike plate (universal for left and right handed doors) and box as standard.



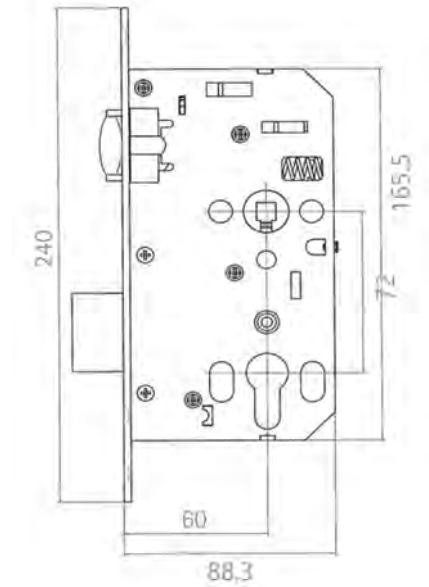
AZ 3213/60 NIGHTLATCH

Medium size modified to be used for smaller doors such as riser and toilet doors, the smaller size allows it to easily suit any smaller door and smaller cylinders, while also providing the same level of security.



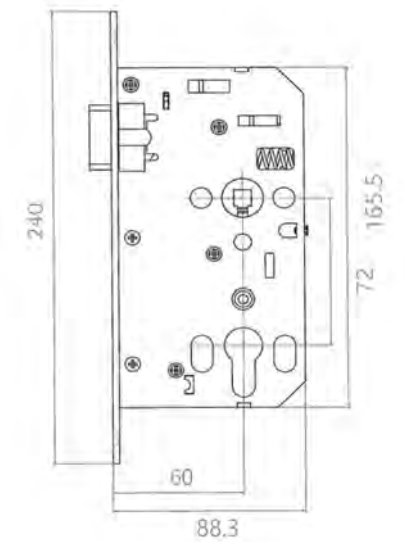
AZ 7521/60 ROLLER LOCK

Roller bolt allowing for even smoother pull and push function when operating door. Deadlock for maximum security.



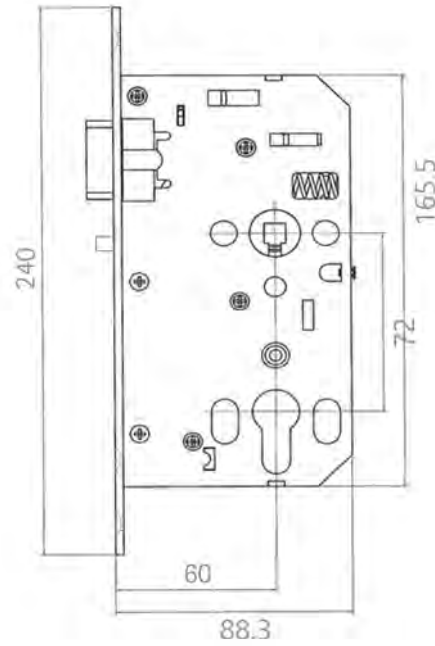
AZ 7001/60 PASSAGE LOCK

The passage lock has no deadbolt and does not require a cylinder for any locking, it is always free on both side and simply requires a handle on each side for latch operation.



AZ 7037/60 CLASSROOM

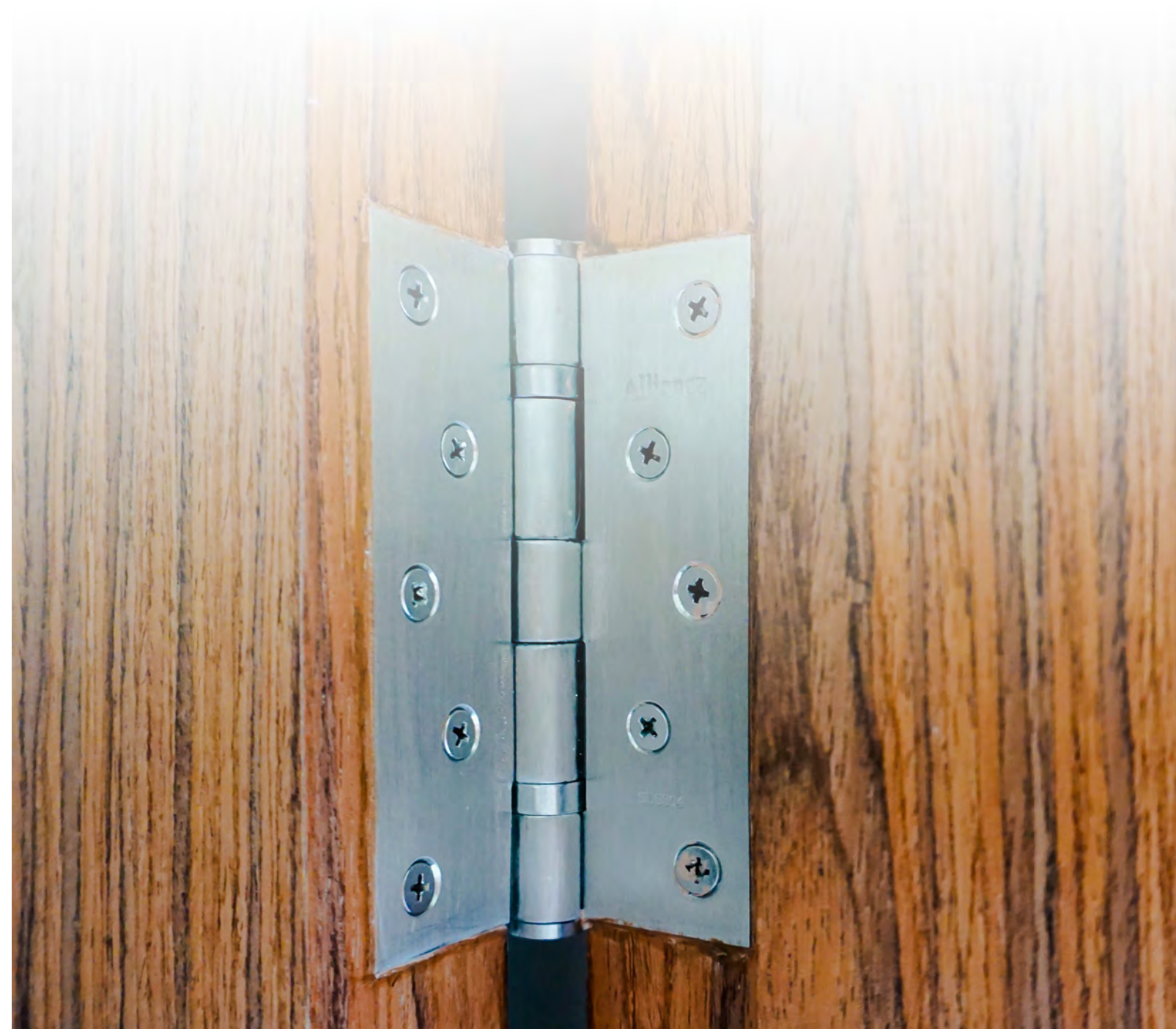
Latch bolt retracted by handle or knob, inside is always free (to escape) however key outside lock & unlock latch). This is perfect for allowing people inside to leave care-free, but provides security by requiring a key to enter. This lock is also sometimes referred to as mechanical time lock as it can convert to a passage mode when required.



AZIRONMONGERY

HINGES

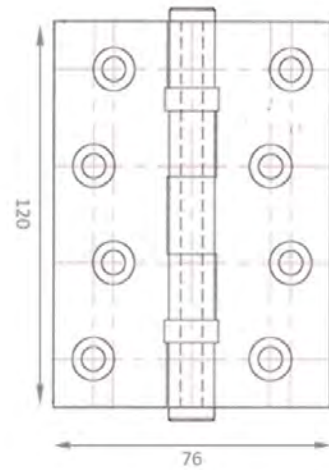
CATALOGUE



Although considered a simple component of any door, the hinge is one of the most important components of all door hardware. A high security door that falls off it's hinges is not very effective, which is why it is so important to choose the right hinge to suit your needs. Factors like door weight, height, core type, function and swing direction all play pivotal roles in deciding which hinge is the right one for the job. And then you can start to consider exposed vs. concealed! If you need any assistance to understand your needs better, please do not hesitate to contact us.

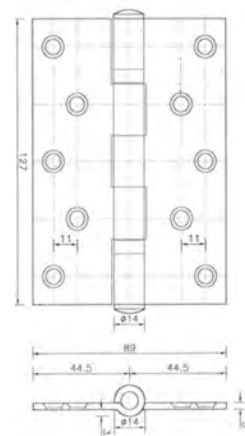
Size: 102X76X2mm 2BB SS Hinge

Finish: Available in SSS, SS304 and SS316. SS332 Standard



Size: 127X89X3mm 2BB SS Hinge

Finish: Available in SSS, SS304 and SS316. SS332 Standard



Size: 152X100X4mm 4BB SS Hinge

Finish: Available in SSS, SS304 and SS316. SS332 Standard



CC1900 Heavy Duty Concealed Pivot Hinge

SS332 Standard



ZA Concealed Hinge

Available in a variety of sizes
SS332 Standard

Article No.	SIZE (LxWxT)
ZA-CH03	13x44.5
ZA-CH04	13.60
ZA-CH05	16x70
ZA-CH06	19x95
ZA-CH07	25x117.5
ZA-CH08	28.5x117.5
ZA-CH09	35x140

AZIRONMONGERY CYLINDERS CATALOGUE

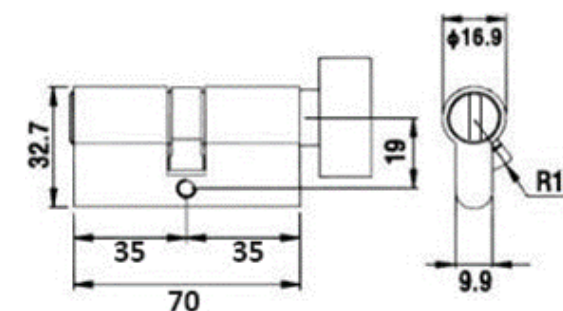
AZIronmongery provides a complete range of cylinders which can be used with our lock bodies and lever handles to make a complete locking set for your door. Our cylinders provide a variety of security levels, as well as varying designs to suit different types of doors.

All cylinders are available in longer lengths up to 110mm (with a 5mm extension on each side), for thicker doors.

AZ 212.70 PRIVACY CYLINDER



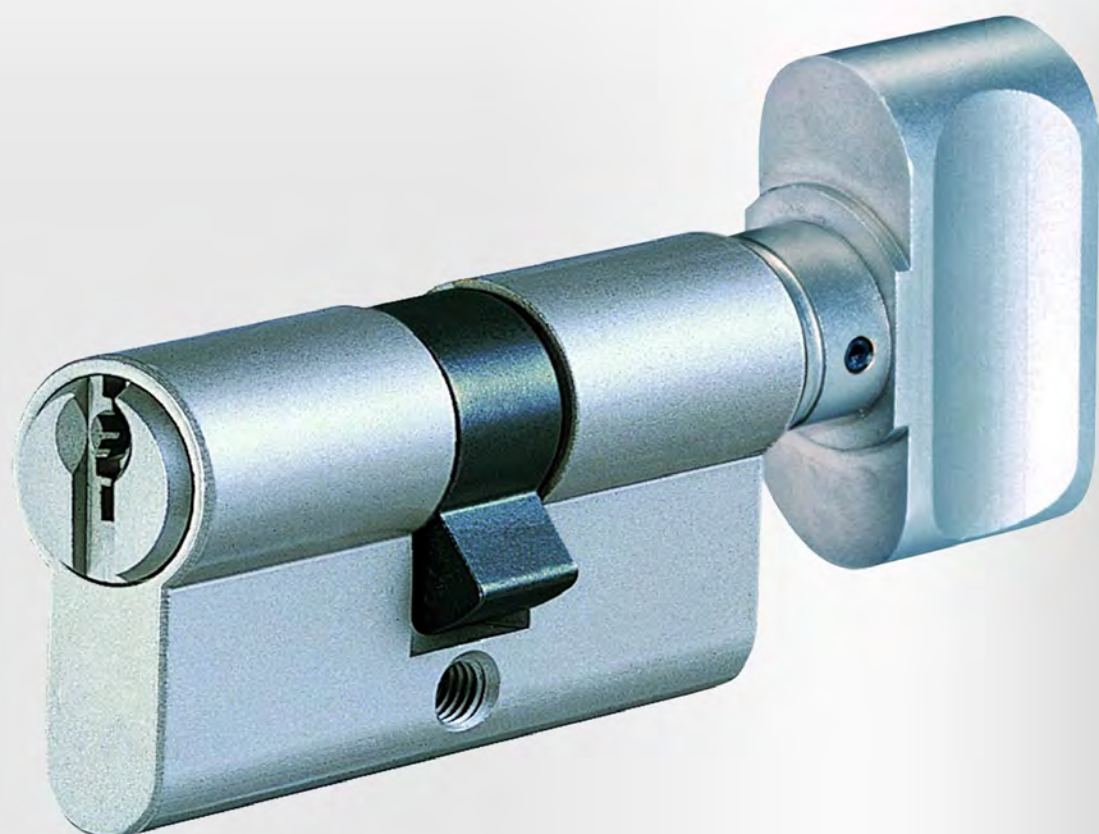
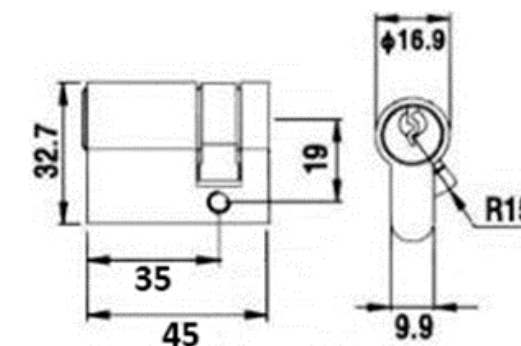
Thumb turn inside, coin slot outside. Smooth retraction of deadbolt with active thumb turn in side.



AZ 210.45 SINGLE CYLINDER



Single cylinders only provide access from one side of the door, with the keyhole exposed on the active side. These cylinders are ideal for doors such as closets or risers, when the inside does not require a separate function.

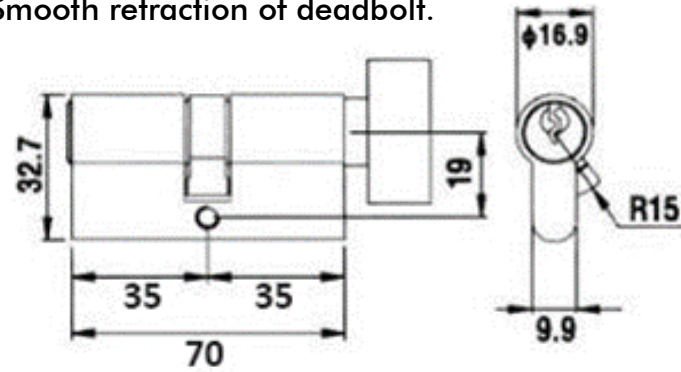


AZ 215.70 THUMBTURN CYLINDER



Key hole outside and thumb turn inside allows maximum security coupled with convenience.

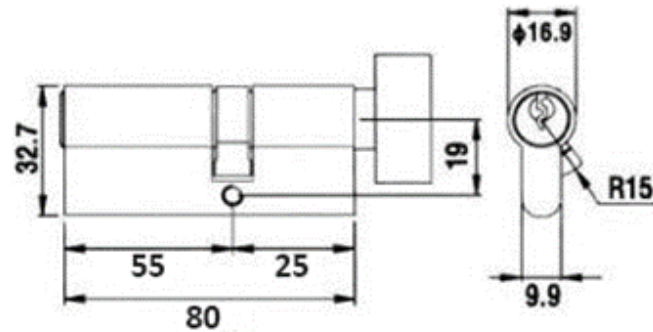
Smooth retraction of deadbolt.



AZ 55/25 OFFSET KEY CYLINDER



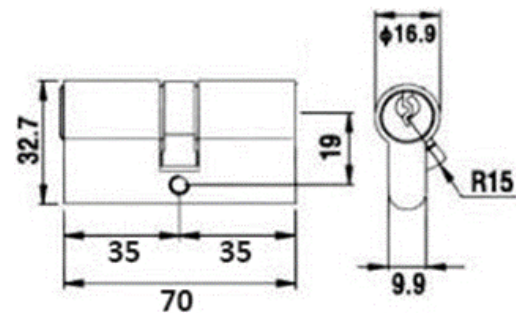
Offset cylinder with extended length allows for the cylinder to work even in fire proof or sound proof doors, which are much thicker.



AZ 310.70 DOUBLE CYLINDER



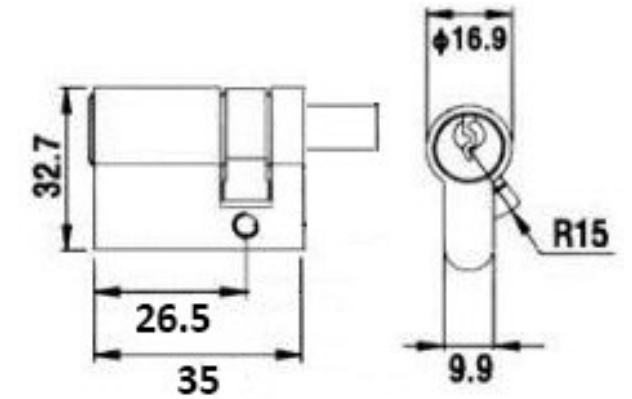
Key required on both sides of cylinder, used on doors with glass panels so if they glass is broken a key is still required,



AZ 26.5MM HALF CYLINDER



Our half cylinder is specially designed for especially thin doors and smaller lock areas. At only 26.5mm it is a single sided cylinder only showing a keyhole on the outside of the door. Perfect for closets and sliding doors.

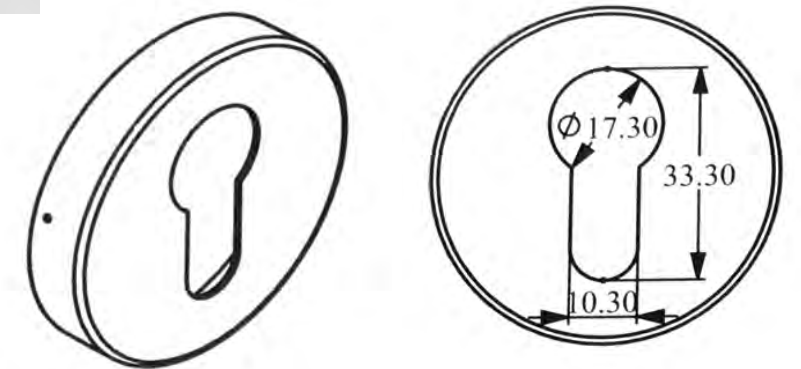


8MM ESCUTCHEON



The escutcheon provides a flush finish for all Euro profile cylinders, our 8mm escutcheons can be produced in SS304 or SS316, and are perfectly suited to all AZIronmongery cylinders.

Other thicknesses of 4 to 10mm are also available upon request.



AZIRONMONGERY DOOR STOPPERS CATALOGUE



DS632 SN DOME SHAPE DOOR STOP



This ergonomically shaped door stop is perfect for a flush finish on your floor. The rubber pad creates a gentle cushion for your door but provides sturdy resistance if the door is thrown open. Can also be installed on the roof for full length swivel doors.

DH005SS FLOOR MOUNTED DOOR STOPPER



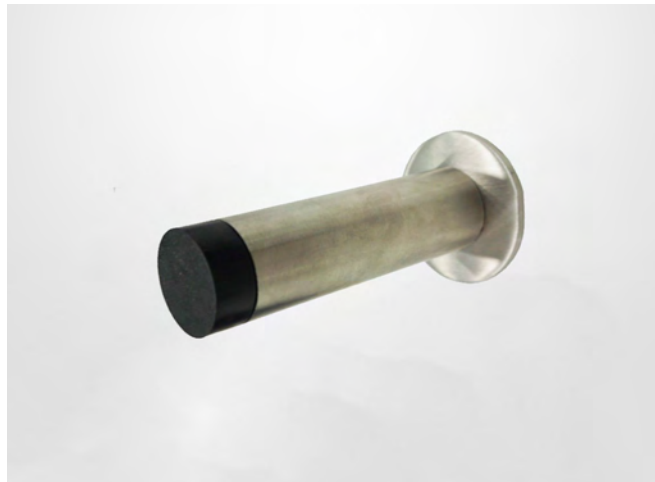
DH005SS is our rubber ring design. The steel pole look gives a polished, industrial design look while its secure floor mounting provides support for a variety of doors.

DH223 FLOOR STOPPER



A more simplified design than the DH005, the DS223 boasts a large rubber cylinder on a minimalist steel base.

DH022 WALL STOPPER



A simple, sturdy wall stopper which can be installed on any wall surface perpendicular to the door opening. This can be installed either low on the wall or higher depending on the requirements.

DH-024 WALL STOPPER WITH HOOK



This wall stopper comes with a hook for hats, bags, coats and any other hanging items. Perfect for bathroom doors both in private and public use.

DH-038 CONCEALED DOOR STOPPER



Our concealed closer is installed at the top of the door frame rather than the bottom, providing a hidden yet equally effective door stopping method.

047SN MAGNETIC DOOR CLOSER



Magnetic door closers are perfect for areas you wish to keep open for long periods of time.

AZIRONMONGERY DOOR CLOSERS CATALOGUE

723BC DOOR CLOSER



Closing Force—Spring Strength (EN)	Fixed Size from 2 to 4
Application	Non-handed
Standard Installation Door Width	850mm to 1100mm
Maximum Door Weight	80kg
Arm Type—Standard	Snap On
Closing Speed Angle	15 - 180 degrees. Adjustable
Latching Speed Angle	0 - 15 degrees. Adjustable
Door Opening Angle	180 degrees
Back Check	Optional / Adjustable
Dimensions	L=207mm, H=55mm, Projection=40mm

Technical Data	EN2	EN3	EN4
Max. Door Width	850	950	1100
Max. Door Weight	35	60	80

930BC DOOR CLOSER



Closing Force—Spring Strength (EN)	Adjustable spring power from 2—5
Application	Non-Handed
Standard Installation Door Width	850mm to 1250mm
Maximum Door Weight	110kg
Arm Type—Standard	Forged snap on
Closing Speed Angle	15—180 degrees. Adjustable
Latching Speed Angle	0—15 degrees. Adjustable
Door Opening Angle	180 degrees.
Back Check	Adjustable
Dimensions	L=236mm, H=60mm, Projection=38.5mm

930BC HEAVY DUTY



Closing Force—Spring Strength (EN)	Adjustable spring power from 2—6
Application	Non-Handed
Standard Installation Door Width	850mm to 1400mm
Maximum Door Weight	150kg
Arm Type—Standard	Forged snap on
Closing Speed Angle	15—180 degrees. Adjustable
Latching Speed Angle	0—15 degrees. Adjustable
Door Opening Angle	180 degrees.
Back Check	Adjustable
Dimensions	L=275mm, H=62mm, Projection=45mm

Technical Data	EN2	EN3	EN4	EN5
Max. Door Width	850	950	1100	1250
Max. Door Weight	45	60	90	110

Technical Data	EN2	EN3	EN4	EN5	EN6
Max. Door Width	850	950	1100	1250	1400
Max. Door Weight	45	60	90	110	150

788BC



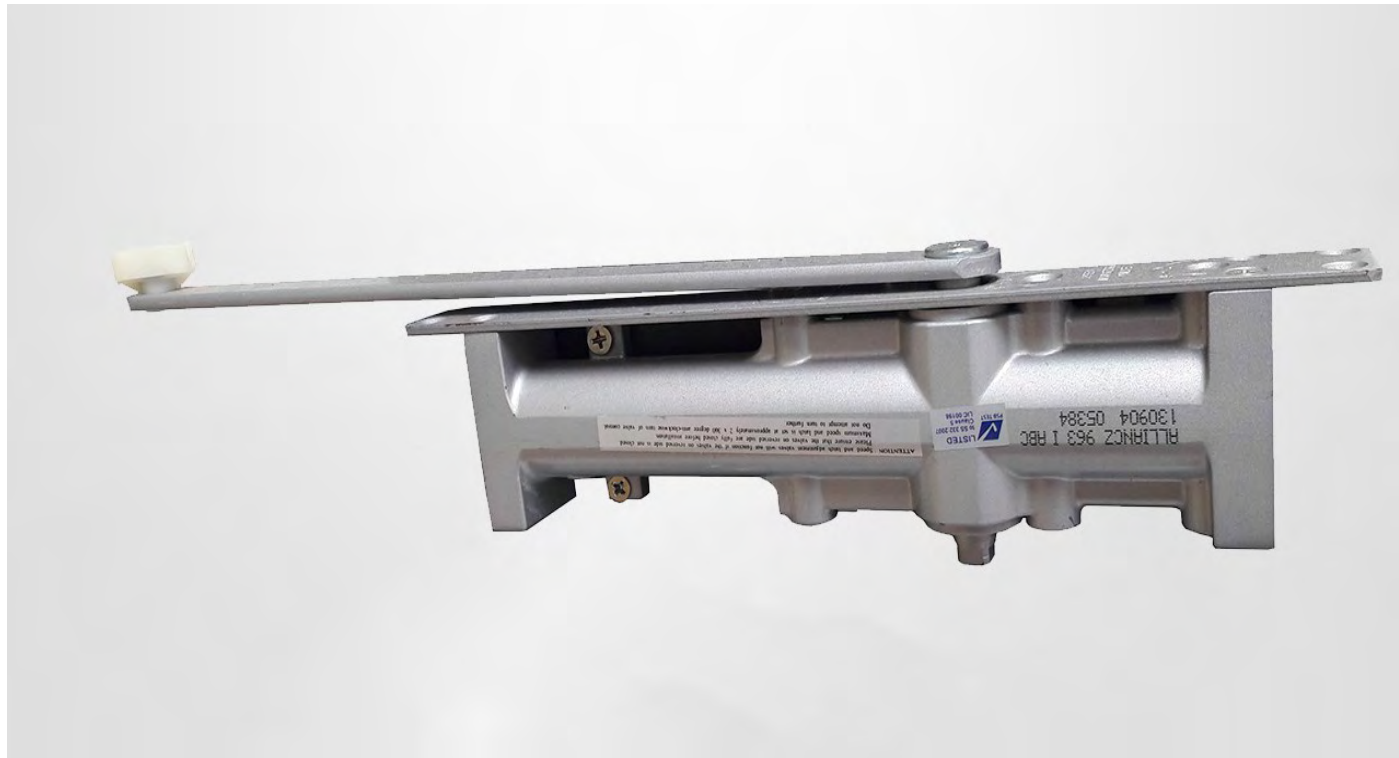
Closing Force—Spring Strength (EN)	3 EN
Application	Non-Handed
Standard Installation Door Width	900mm to 950mm
Maximum Door Weight	
Arm Type—Standard	Forged snap on
Closing Speed Angle	15—180 degrees. Adjustable
Latching Speed Angle	0—15 degrees. Adjustable
Door Opening Angle	180 degrees.
Back Check	Adjustable
Dimensions	L=148mm, H=57mm, Projection=37.5mm

988BC



Closing Force—Spring Strength (EN)	3 EN
Application	Non-Handed
Standard Installation Door Width	900mm to 950mm
Maximum Door Weight	
Arm Type—Standard	Forged snap on
Closing Speed Angle	15—180 degrees. Adjustable
Latching Speed Angle	0—15 degrees. Adjustable
Door Opening Angle	180 degrees.
Back Check	Adjustable
Dimensions	L=177mm, H=51mm, Projection=38mm

963 CONCEALED DOOR CLOSER



Closing Force—Spring Strength (EN)	Fixed Size from 2 to 4
Application	Non-Handed
Standard Installation Door Width	850mm to 1100mm
Maximum Door Weight	80kg
Arm Type—Standard	Slide Arm
Closing Speed Angle	15—180 degrees. Adjustable
Latching Speed Angle	0—15 degrees. Adjustable
Door Opening Angle	105 degrees.
Back Check	Optional
Dimensions	L=230mm, H=57mm, Projection=32mm

DOOR CLOSER ACCESSORIES



Hold Open Arm
Adjustable arm for exposed door
Standard Finish: Silver Enameled
Optional Finish: SSS, PSS, Bronze & Brass



Hold Open Arm—Forged
Adjustable arm for exposed door
Standard Finish: Silver Enameled
Optional Finish: SSS, PSS, Bronze & Brass



Standard Arm
Standard Arm for exposed closer
Standard Finish: Silver Enameled
Optional Finish: SSS, PSS, Bronze & Brass

Technical Data	EN2	EN3	EN4
Max. Door Width	850	950	1100
Max. Door Weight	45	60	80

AZIRONMONGERY FLUSH BOLTS CATALOGUE



Star Arm—Forged

Star Arm for exposed closer
Standard Finish: Silver Enameled
Optional Finish: SSS, PSS, Bronze & Brass



Flat Form Arm

Adjustable arm for exposed doors
Standard Finish: Silver Enameled
Optional Finish: SSS, PSS, Bronze & Brass



Flat Form Star Arm—Forged

Adjustable arm for exposed doors
Standard Finish: Silver Enameled
Optional Finish: SSS, PSS, Bronze & Brass



Slide Arm & Track

Adjustable arm for exposed door
Standard Finish: Silver Enameled
Optional Finish: SSS, PSS, Bronze & Brass



BFB BOXED TYPE FLUSH BOLT



Flush bolts are used on double leaf timber doors when one door is usually kept inactive, the hinges are located on the outside while the flush bolt is installed on the inside to help hold the door in place. Our flush bolts are available in a range of sizes from 200mm—1000mm, to suit all varieties of doors.

EFB EXTENSION FLUSH BOLT



Extension flush bolts are great for both timber and metal doors. Extension flush bolts range from 300 to 1000mm depending on height of door.

PBS AUTO FLUSH BOLT



Most flush bolts require manual locking and unlocking, however with the auto flush bolt the hard work is done for you. Coming a completely boxed system, the auto flush bolt is the easy way to secure your door with none of the stress.

DUST PROOF SOCKET



The dust proof socket is installed as a set with a flush bolt, it is installed in the floor and acts as the socket for the flush bolt to lock into. The mechanical top lid keeps the socket dust free while not in use, deterring any debris from entering the socket and causing internal damage.

AZIRONMONGERY GLASSDOOR HARDWARE CATALOGUE



Glass doors are elegant in their appearance, they brighten up a room by letting in natural light, as well as providing options for engraving and frosting. So why spoil this flush design with bulky, unsightly ironmongery? This range of glass door accessories is secure and reliable, while also providing a flush, attractive look to your door. There are both cylinder and electric locking solutions, providing a variety of security levels perfect for a variety of locations. These fittings are great for residential and office use, providing a touch of glamour to your doorway.

TOP & BOTTOM PATCH FITTING



This simple and minimalist fitting utilizes the top and bottom corners of the glass door panel, creating a flush look that leaves the rest of the door clean and minimalist.

CORNER PATCH LOCK



The corner patch lock can be utilized with the patch fittings on the opposite bottom corner of the door to act as the lock for the door.

ELECTRO-MAGNETIC LOCK



The most popular choice for offices and condominiums, the electro magnetic lock is the perfect security solution for your glass door. Instead of using keys, you can use buttons, scanners, or FOB.

AZIRONMONGERY DOOR ACCESSORIES CATALOGUE



WL02 SLIDING HOOK LOCK



This special mortise lock body works with all European Profile Cylinders, and is especially effective when used with sliding doors. The lock works with a double throw function, 1st throw activates the bolt, 2nd throw the top and bottom Bolt.



Round Recess Escutcheon



Round Recess w Thumbturn

RECT RECESS W THUMBTURN



This recessed handle works perfectly with our sliding door system and hook lock. By providing a rectangular recess that can be used for pushing and pulling the door, and also making this the space for the thumb turn to be used, this one little handle provides many solutions.



Square Recessed Pull Handle



FH0040 50 x 100mm SS Rectangular Recess Handle

BC002 BALL CATCH



Ball Catch hardware is perfect for doors where a latch is not needed or used. Most commonly used on closet doors, the strike plate will be mounted on the outer frame where the ball will catch, holding the door closed.



135-60 Rectangular Recess Handle



FH003 SS Oval Recessed Pull

AZIRONMONGERY PULL HANDLE CATALOGUE



268L SN Edge Pull



EV180 SN Eye Viewer



CH75 Cup Ring Handle



FH0010 Round Recess Handle



DS120 Door Selector



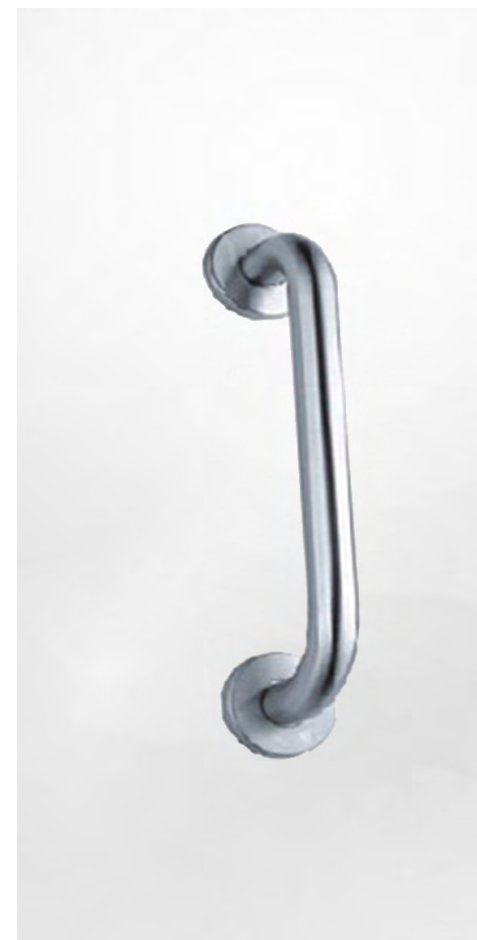
AZ SS "H" STYLE PULL HANDLE

Article No.	Dimensions
SS H HANDLE 600	L= 600mm, D=32mm
SS H HANDLE 650	L= 650mm, D=32mm
SS H HANDLE 800	L= 800mm, D=32mm
SS H HANDLE 1200	L= 1200mm, D=32mm
SS H HANDLE 1500	L= 1500mm, D=32mm
SS H HANDLE 1800	L= 1800mm, D=32mm
SS H HANDLE 2000	L= 2000mm, D=32mm



HANDICAPPED GRAB BAR

Article No.	Dimensions
HANDICAPPED GRAB	L650mm, D=38mm



AZ SS "D" STYLE PULL HANDLE

Article No.	Dimensions
SS D HANDLE 225	L= 225mm, D=19mm
SS D HANDLE 650	L= 650mm, D=19mm



PH266 SS PULL HANDLE

Article No.	Dimensions
PH029-30/400	L= 400, D= (30x15)
PH029-30/600	L= 600, D= (30x15)
PH029-40/500	L= 500, D= (40x20)
PH029-40/600	L= 600, D= (40x20)
PH029-40/800	L= 800, D= (40x20)





PH041 SS PULL HANDLE

Article No.	Dimensions
PH041-20/300	L=300mm, D=(20X10)
PH041-20/400	L=400mm, D=(20X10)
PH041-20/500	L=500mm, D=(20X10)



PH272 SS PULL HANDLE

Article No.	Dimensions
PH272	L=850mm, D=106mm



SS CRANK PULL HANDLE (BTB)

Article No.	Dimensions
CRANK PULL HANDLE	L600mm, D=32mm



PH452 PULL HANDLE

Article No.	Dimensions
PH452	L=825mm, D=98mm



PH265 SS PULL HANDLE

Article No.	Dimensions
PH265—70	L=530mm, D=70mm
PH265—90	L=600mm, D=90mm



PH266 SS PULL HANDLE

Article No.	Dimensions
PH266	L=475mm, D=86mm

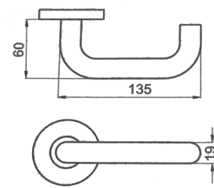


AZIRONMONGERY LEVER HANDLES CATALOGUE

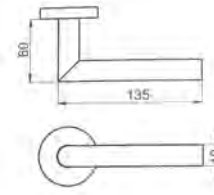




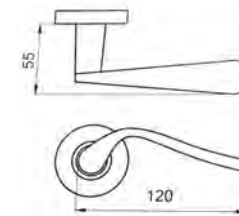
8101 SS LEVER HANDLE



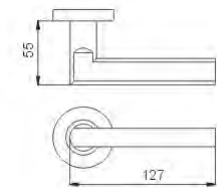
8104 SS LEVER HANDLE



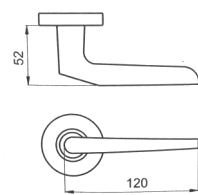
8094 SS LEVER HANDLE



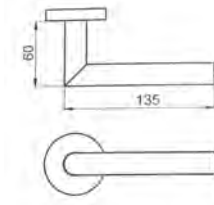
8046 SS LEVER HANDLE



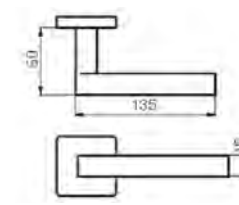
8041 SS LEVER HANDLE



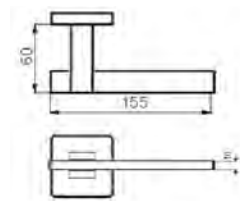
8024 SS LEVER HANDLE



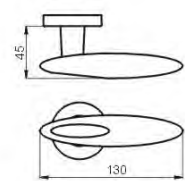
8144 SS LEVER HANDLE



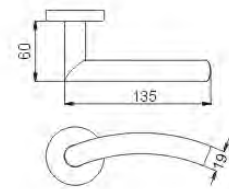
8152 SS LEVER HANDLE



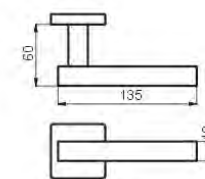
8038 SS LEVER HANDLE



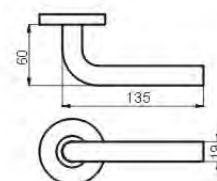
8244N SS LEVER HANDLE



8171 SS LEVER HANDLE

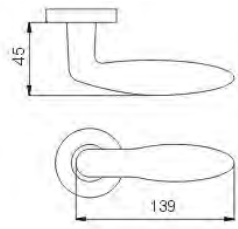


8047N SS LEVER HANDLE





8246 SS LEVER HANDLE



8013 SS LEVER HANDLE



8135 SS LEVER HANDLE



8199N SS LEVER HANDLE



8186 SS LEVER HANDLE



8222 SS LEVER HANDLE



8251 SS LEVER HANDLE



8232N SS LEVER HANDLE



8239 SS LEVER HANDLE



8245 SS LEVER HANDLE



8151 SS LEVER HANDLE



8034 SS LEVER HANDLE



KS74204 LEVER HANDLE



KS79205 LEVER HANDLE



KS74210 LEVER HANDLE



KS74215 LEVER HANDLE



KS79206 LEVER HANDLE



KS79207 LEVER HANDLE



KS79217 LEVER HANDLE



KS79221 LEVER HANDLE



KS74208 LEVER HANDLE



KS79209 LEVER HANDLE



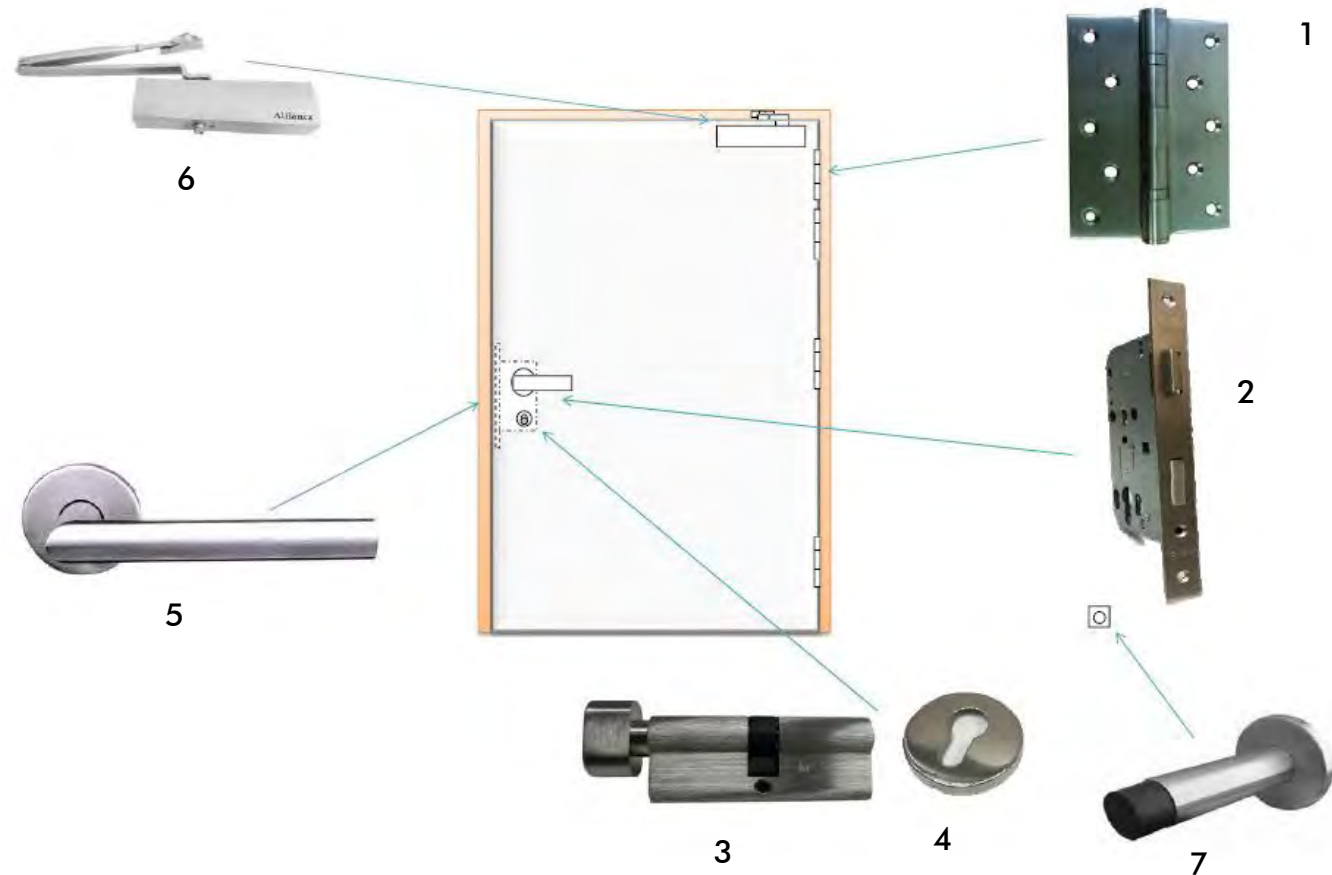
KS79222 LEVER HANDLE



KS74223 LEVER HANDLE

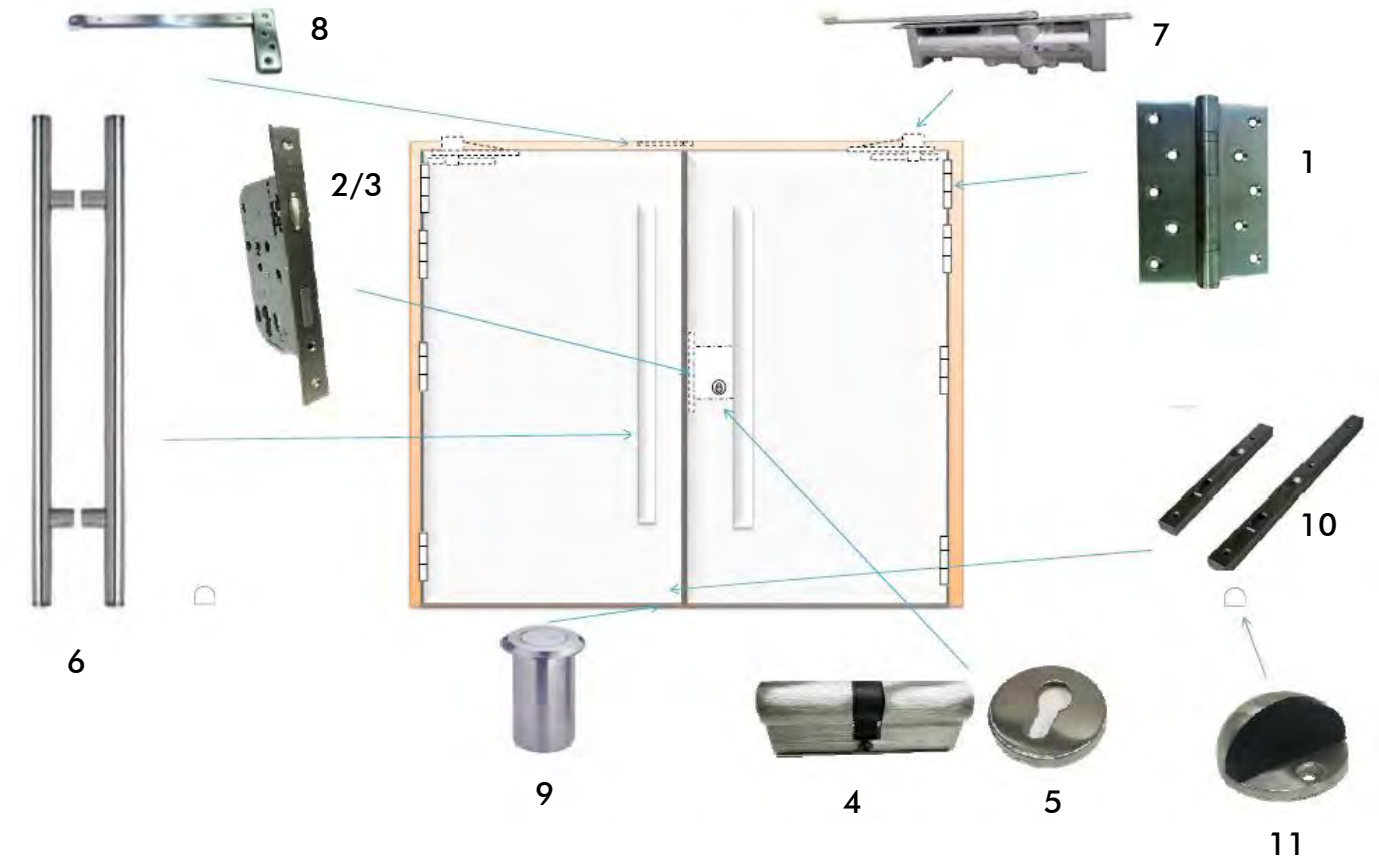
HARDWARE SET

LEVER HANDLE SET



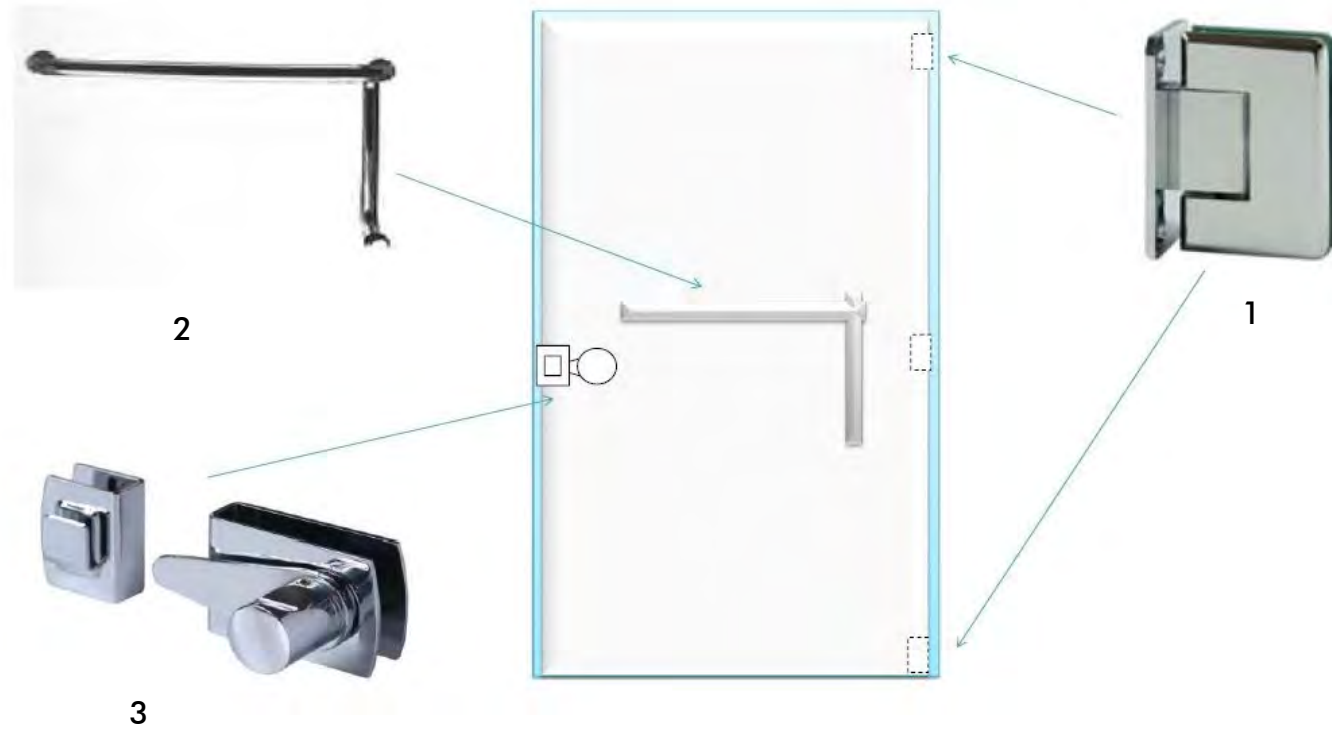
1. ALLIANCZ - 127X89X3MM 2BB SS HINGE
2. ALLIANCZ - 7003/60 SASHLOCK C/W STRIKE & BOX
3. ALLIANCZ - 215.70 SNP KEY & THUMBTURN CYLINDER UNDER MK SYSTEM
4. ALLIANCZ - 8MM SS ESCUTCHEON
5. ALLIANCZ - 8104 SS FIXED/DUMMY LEVER HANDLE ON ROSE IN PAIR
6. ALLIANCZ - 988BC DOOR CLOSER SIZE 2-4
7. ALLIANCZ - DH022 WALL STOPPER

PULL HANDLE SET



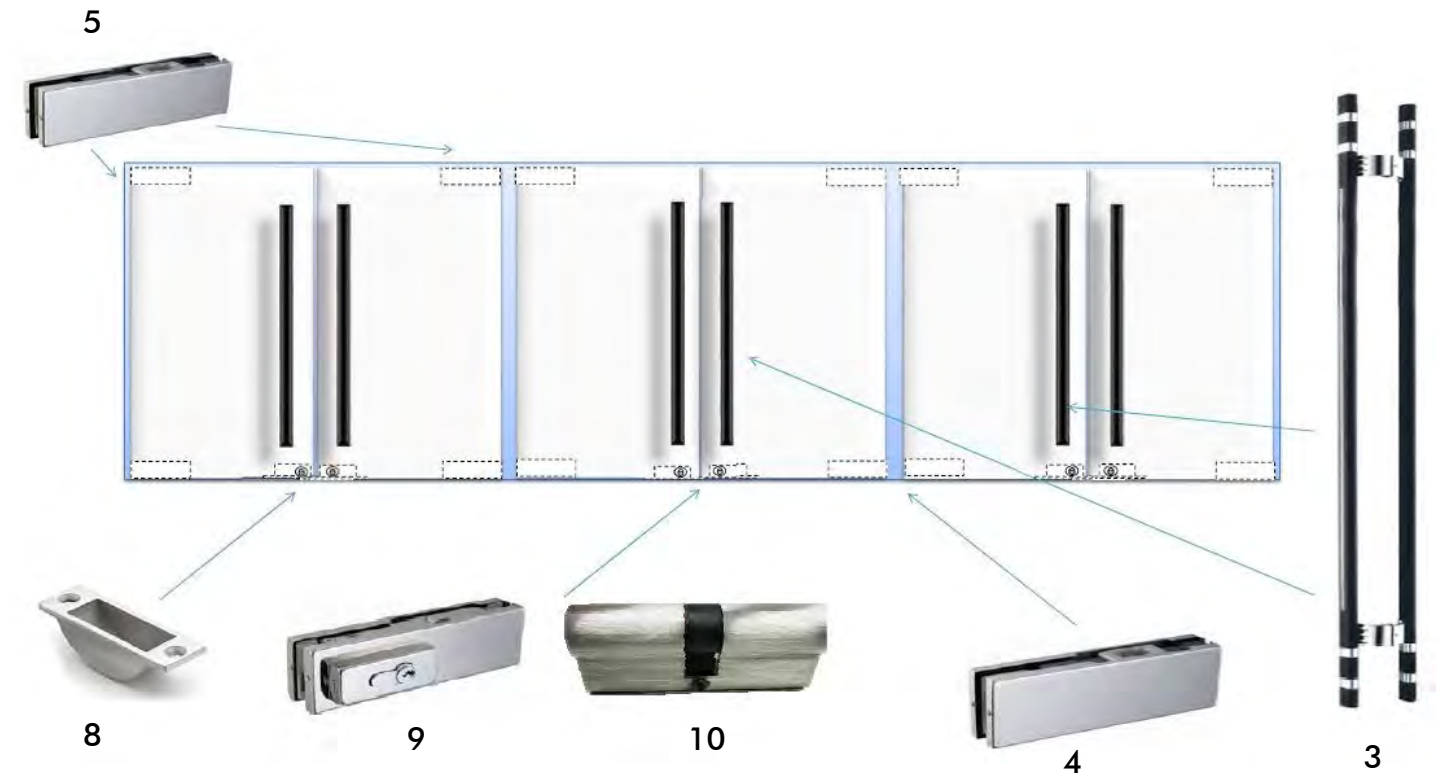
1. ALLIANCZ - 127X89X3MM 2BB SS HINGE
2. ALLIANCZ - 7521/60 MORTISE ROLLER DEADLOCK CW STRIKE & BOX
3. ALLIANCZ - REBATED KIT FOR 7000 SERIES
4. ALLIANCZ - 310.70 SNP DOUBLE CYLINDER UNDER MK SYSTEM
5. ALLIANCZ - 8MM ESCUTCHEON
6. ALLIANCZ - H PULLHANDLE 1500X32MM DIA. BTB FIXING SSS FOR TIMBER DOOR
7. ALLIANCZ - 963BC CONCEALED DOOR CLOSER WITH BACKCHECK
8. ALLIANCZ - DS120 DOOR SELECTOR
9. ALLIANCZ - DUST PROOF SOCKET
10. ALLIANCZ - BFB SS 300/600MM BOX TYPE FLUSH BOLT
11. ALLIANCZ - DS632 SN DOME SHAPE FLOOR STOP

SHOWER DOOR SET



1. ALLIANCZ - PM PD GX990 WALL TO GLASS SHOWER HINGE
2. ALLIANCZ - PM PD H12 275MM X 425MM X 25MM DIA SHOWER PULL HANDLE (IN PAIR)
3. ALLIANCZ - PM SHOWER LOCK GK 624 US 624

GLASS DOOR WITH PULL HANDLE SET



1. ALLIANCZ - TD800 FLOOR SPRING C/W FLOOR SPRING
2. ALLIANCZ - SSS COVER PLATE INCLUDED ABOVE
3. ALLIANCZ - RB4544 2000MM X 38MM DIA. BTB FIXING IN 2-TONE BLACK & SS FOR GLASS DOOR
4. ALLIANCZ - PD10 SSS BOTTOM PATCH FITTING FOR GLASS THK 12MM - 15MM
5. ALLIANCZ - PD20 SSS TOP PATCH FITTING FOR GLASS THK 12MM - 15MM
6. ALLIANCZ - PM PD24 SS TOP PIVOT
8. ALLIANCZ - PM EASY CLEAN SOCKET
9. ALLIANCZ - PL50 CORNER PATCH LOCK
10. ALLIANCZ - 310.70 SNP DOUBLE CYLINDER FOR PL50 CORNER PATCH LOCK

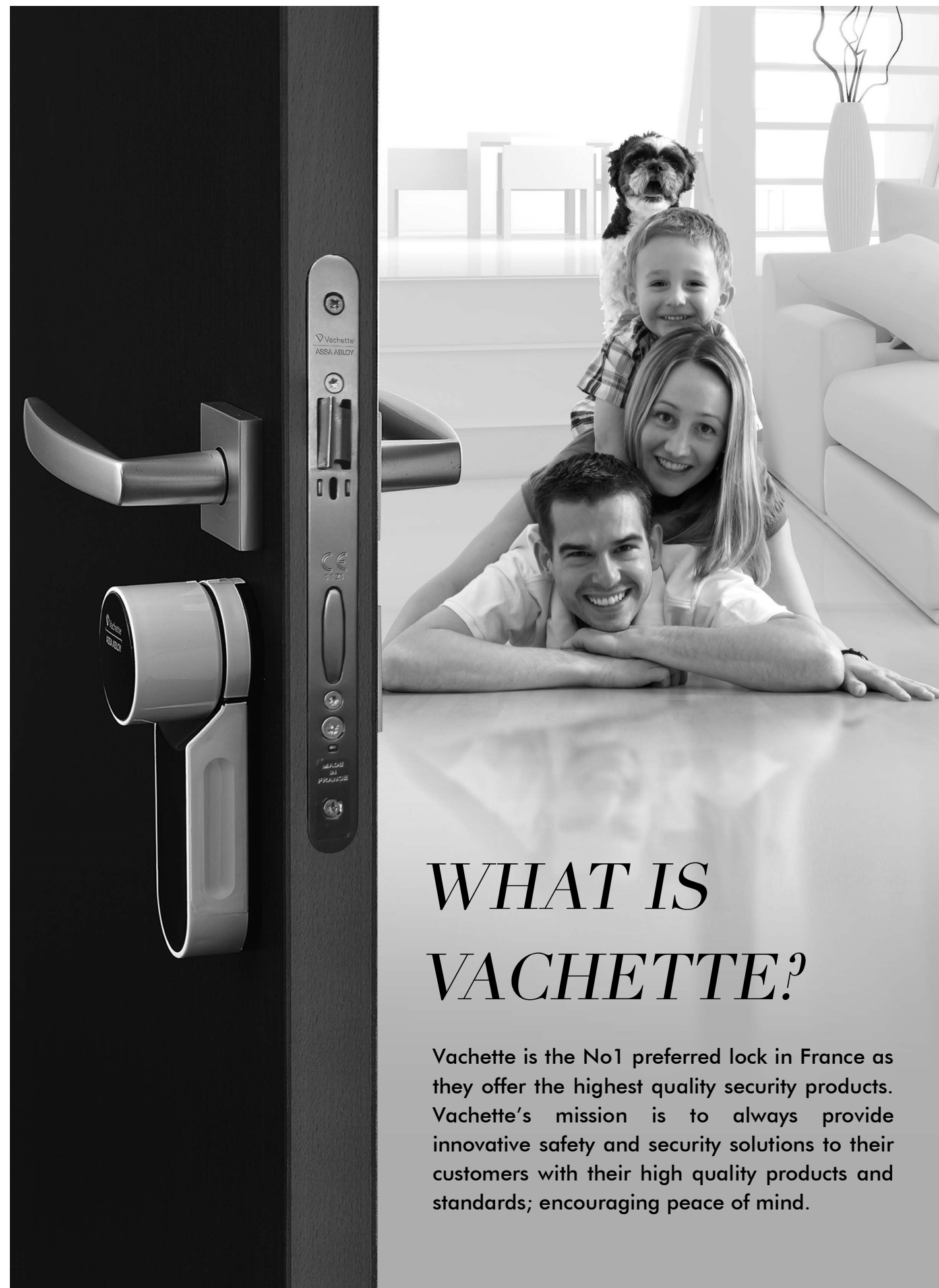
CONTENT PAGE

WHAT IS VACHETTE?	4
WHY CHOOSE VACHETTE?	5
BENEFITS	5
WARRANTY	5
VACHETTE MORTISE LOCK CATALOGUE	6
BENEFITS	7
SPECIFICATION	8
VACHETTE MORTISE LOCK BODYTYPES	9
VACHETTE CYLINDER CATALOGUE	14
ONE SINGLE KEY FEATURE	16
LEVEL OF SECURITY VACHETTE CYLINDER AND SUITABLE APPLICATION	17
EXTENDED DUAL PROFILE CYLINDER	18
VACHETTE CYLINDER PRODUCT RANGE	19
AXI'HOME	20
AXI'TEC	25
VIP+	29
V5 SYSTEM	35
VACHETTE DOOR HANDLE CATALOGUE	40
CHROME DOOR ASSEMBLY	40
SILLAGE	41
MUZE	44
ARTIS	47
ALTO	50
ALUMINUM DOOR ASSEMBLY	54
URBAN	54
CITYZEN	57
STAINLESS STEEL DOOR ASSEMBLY	60
LINOX	60
SAFETY SET DOOR	65
SECUMAX UP	65



VACHETTE

PRODUCT CATALOGUE



WHAT IS VACHETTE?

Vachette is the No1 preferred lock in France as they offer the highest quality security products. Vachette's mission is to always provide innovative safety and security solutions to their customers with their high quality products and standards; encouraging peace of mind.

WHY CHOOSE VACHETTE?

Vachette has over 10 years' experience within the market and a dedicated in partnership with ASSA ABLOY to satisfy the end- user needs for security, safety and convenience.

The French Touch, a selection of professional brands

Vachette Locking Systems is a complete security solution and have a wide range of offerings, including: High security cylinders, Single mortise lock, and Multipoint mortise lock, Master keying plans and Door handles.

BENEFITS

Vachette Locking Systems can be used for a variety of commercial and residential applications; and each Vachette cylinder has been specifically designed to suit with various levels of security available depending on application.

*Please refer to table on the page 17

Promises

High expertise, coming from our considerable experience and high competence for tailor-made solutions.

High reliability, endorsed by EN standard certifications.

High quality, guaranteed by the ISO 9001 Quality System, every single item is at its best quality.

Environmental friendly: obtained by the continuous production process improvement and certificated

by ISO 14001.

WARRANTY

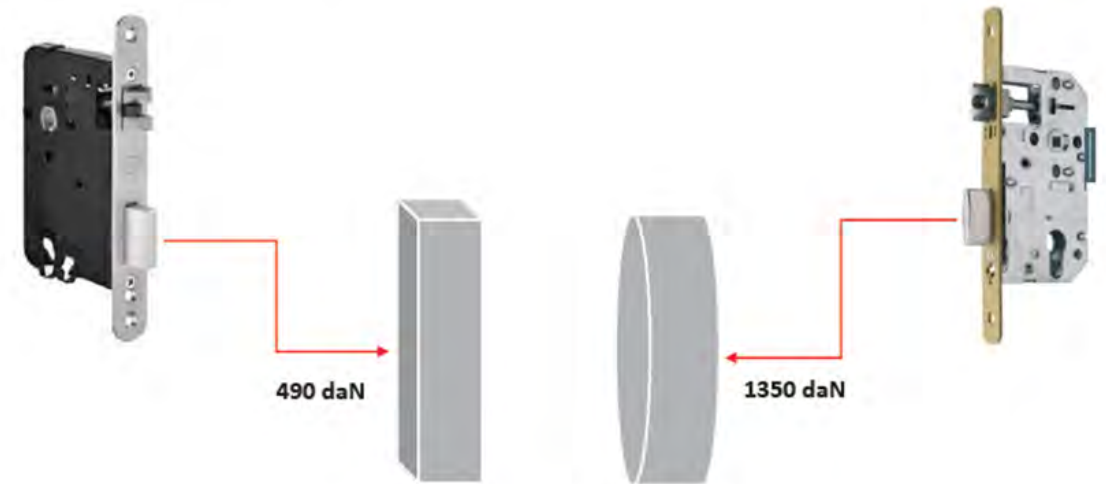
Vachette offers a 10 year warranty on all locking systems, which are made to last and highly durable design.

VACHETTE MORTISE LOCK CATALOGUE



Vachette Lock Body has nine functions in one lock body, being fully reversible to the right or left hand side. Developed for public buildings, these locks will find their place in commercial as well as residential buildings. The D450 range features a variety of functions for all types of interior and exterior doors.

BENEFIT



Side Load: Height to Scale

ADDITIONAL BENEFITS INCLUDE

- Curved latch bolt for easier latching
- Edge-cut latch bolt for smoother opening
- Profiled deadbolt for extra side load resistance
- Reversibility possible without dismantling the lock out of the door.
- Heavy duty follower spring suitable for non-sprung lever furniture.
- D 450 Series is manufactured in France by Vachette. Vachette is an ISO 9001 certified factory company
- Ten years mechanical warranty

APPLICATION

High frequency of use by people with little incentive to care: Grade 3 – Category of use - EN 12209

Residential & Commercial buildings -Public Doors

Suitable for timber and metal doors.

SPECIFICATION

TECHNICAL SPECIFICATION

- Slim lock body, 15 mm thick, for minimum mortise clearance
- Galvanized steel lock body for superior corrosion resistance
- Sealed lock body for minimized dust penetration
- Oval shape deadbolt, 20 mm projection, double throw. Side load resistance > 1,350 daN.
- Reversible latch bolt, curved shape « easy latch »
- Key to latch
- Heavy duty follower spring suitable for non-sprung loaded lever furniture.
- Passage holes for bolt-through fixing lever furniture.
- Supplied with striker plates in compliance with EN 12209.
- D450 Series complies in full with the highest requirements of NF EN 12209.
- Emergency functions comply with EN 179*
- Suitable for use on fire/smoke doors assemblies (except otherwise stated)

BACKSETS

- 50 and 60 (65 for limited functions)
- 40 and 55 on special request

FINISHES

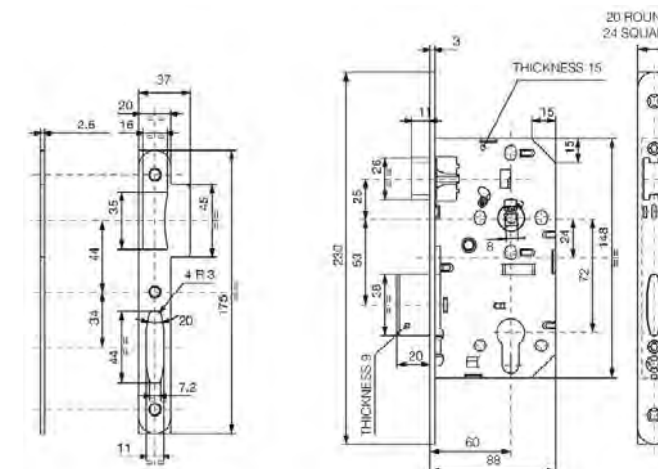
- Brushed Stainless Steel (X)
- Polyester Powder Coated Black (V)
- On special Request
- Nickel Plated (N)
- Solid Brass (D)
- Polished Stainless Steel (XP)

FRONT PLATES

- Rounded ends in 20 mm
- Square ends in 24 mm

VACHETTE MORTISE LOCK BODY TYPES

D455 SASHLOCK



Emergency lock for Euro-profile cylinder.

Key to Latch.

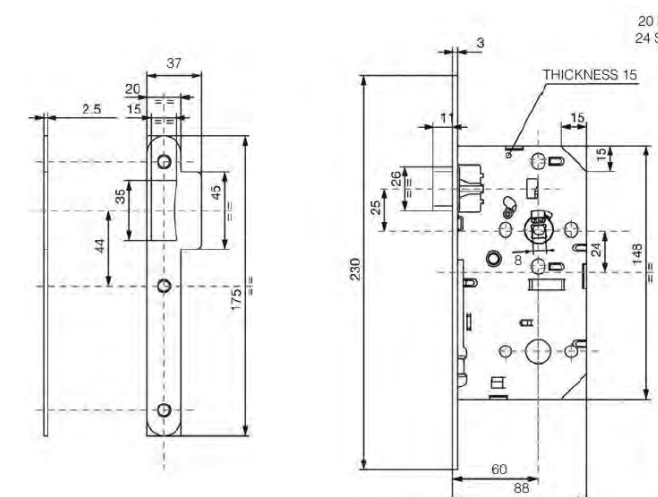
Deadbolt 20mm projection, double throw.

European CE standards with 8 mm follower (C8) and center to center 72 mm, Backset: 60 mm.

Fire rated as standard.

Locks packed by 2 with striker plates.

D452 LATCHLOCK

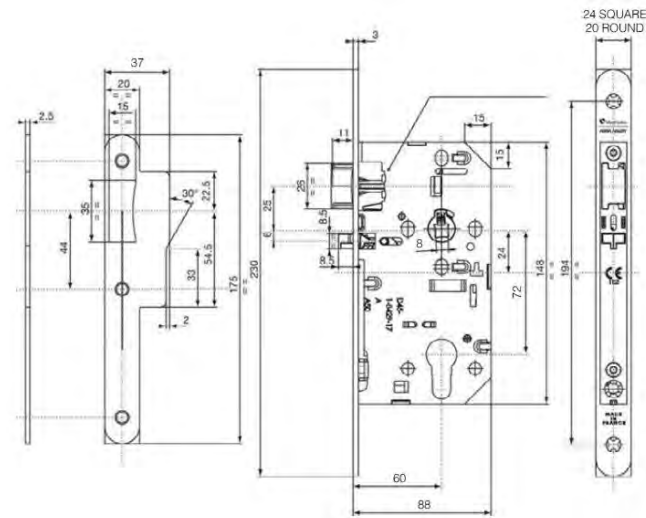


Passage Lock. European CE standards with 8 mm follower (C8), Backset: 60 mm.

Fire rated as standard.

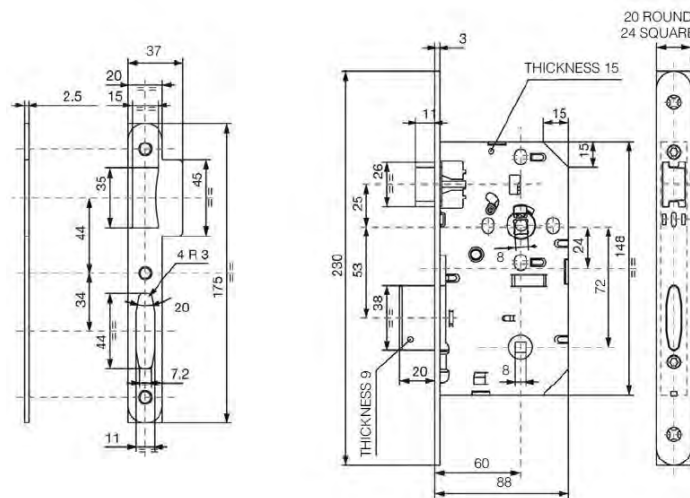
Locks packed by 2 with striker plates.

D457 CLASSROOM LOCK



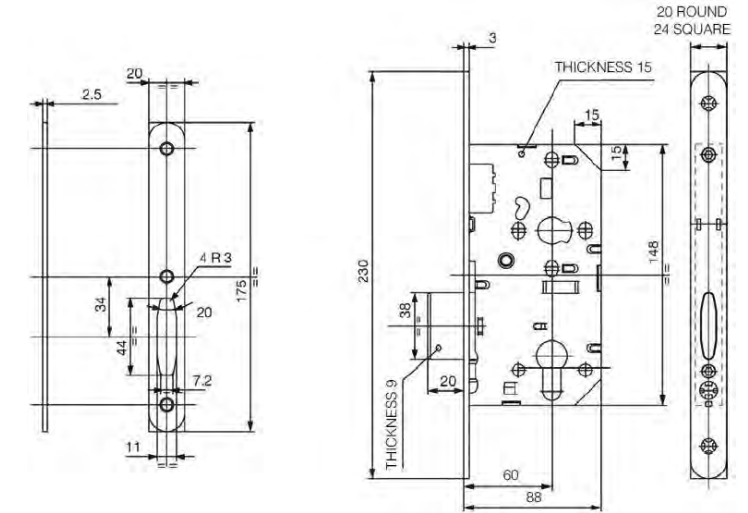
Classroom or office lock for Euro-profile cylinder. Equipped with anti-thrust bolt. Key to latch. Outside handle made inoperative when locked. Exit always free. European CE standards with 8 mm follower (C8), center to center 72 mm, Backset: 60 mm. Fire rated as standard. Locks packed by 1 with striker plates.

D453 PRIVACY LOCK



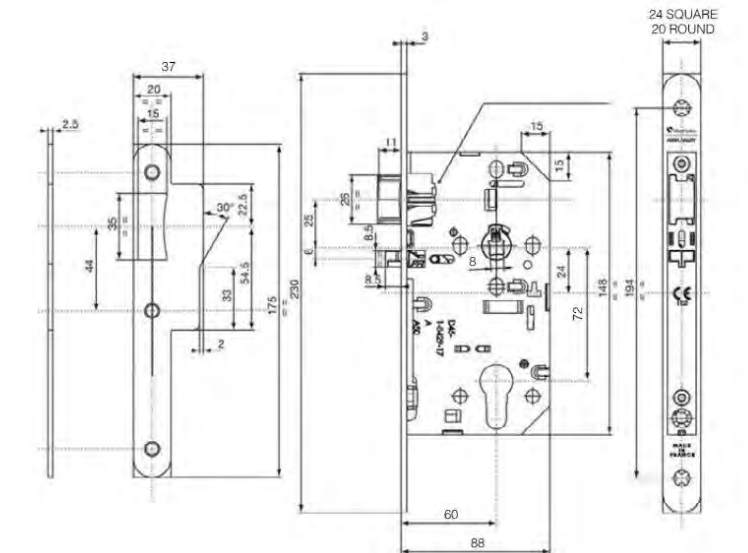
Toilet lock. Key to Latch. Deadbolt 20mm projection, double throw. European CE standards with 8 mm follower (C8) and center to center 72 mm, Backset: 60 mm. Fire rated as standard. Locks packed by 2 with striker plates.

D454 DEAD LOCK



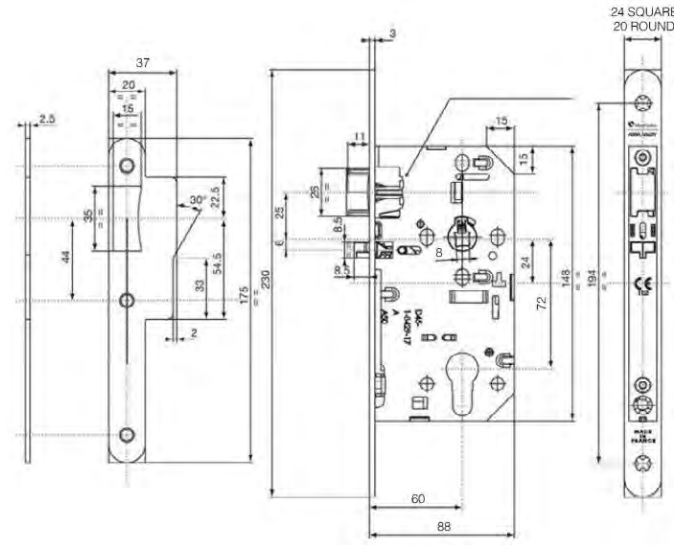
Deadlock for Euro-profile cylinder. Deadbolt 20mm projection, double throw. Front plate 20 mm rounded ends (R20) or 24 mm square ends (K24). Backset: 60 mm. Locks packed by 2 with striker plates.

D4522 NIGHTLATCH



Night latch for euro-profile cylinder. Key to latch. Exit always free. European CE standards with 8 mm follower (C8), center to center 72 mm, Backset: 60 mm. Fire rated as standard. Locks packed by 2 with striker plates.

D456 STOREROOM LOCK



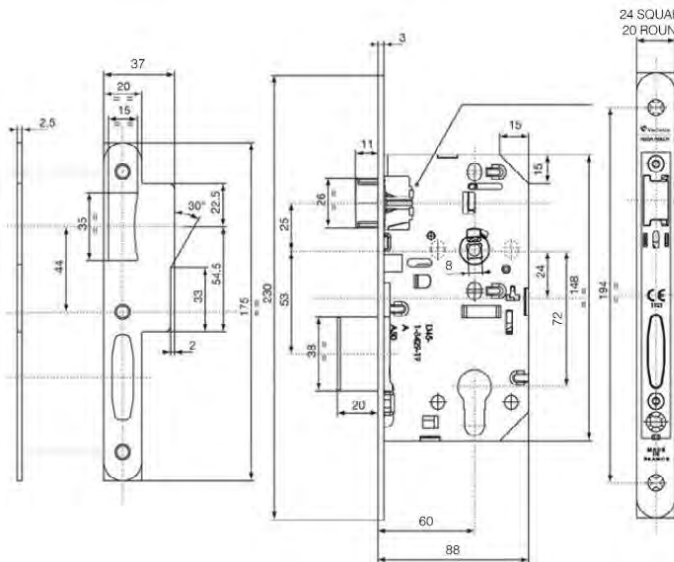
Storeroom or night latch lock for Euro- profile cylinder. Equipped with Anti- thrust bolt. Key to latch exit always free.

European CE standards with 8 mm follower (C8), center to center 72 mm, Backset: 60 mm.

Fire rated as standard.

Locks packed by 1 with striker plates.

D458 EMERGENCY SASH LOCK



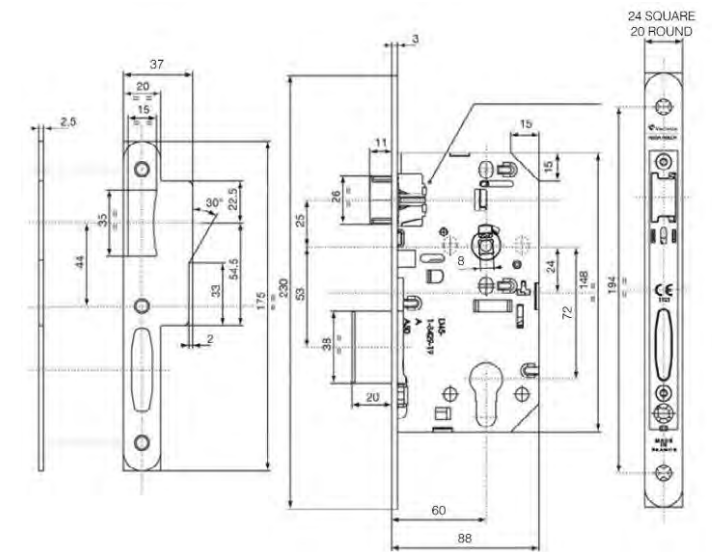
Entrance lock for Euro- profile cylinder Key to latch Deadbolt 20 mm projection, double throw Exit always free inside handle retracts both latch and deadbolt.

European CE standards with 8 mm follower (C8), center to center 72 mm, Backset: 60 mm.

Fire rated as standard.

Locks packed by 1 with striker plates.

D459 EMERGENCY SASH LOCK SAF



Same as D548 with snib on front plate that prevents from projecting the deadbolt when the door is not shut. NO RISK OF PREVENTING FIRE DOOR TO SHUT

VACHETTE CYLINDERS CATALOGUE



The risk to security nowadays is that key reproduction is simple; as key cutters can anonymously have duplicate keys cut which may be to your office or apartments. Such simple and uncontrolled key duplications can be taken to excess, jeopardizing the security of many premises.

EUROPROFILE DOUBLE CYLINDER



Double cylinder. 3 keys.
Minimum dimension:
30 x 30mm
Nickel Plated/Brass
Finish

HIGH SECURITY ANTI-DRILL EUROPROFILE DOUBLE CYLINDER



Double cylinder with
anti-drill inserts for
better resistance against
forced entry. 3 keys.
Minimum dimension:
30 x 30mm
Nickel Plated

SINGLE EUROPROFILE CYLINDER



Single cylinder with
Adjustable cam. 3 keys.
Minimum dimension:
30 x 10mm
Nickel Plated/Brass
Finish

EUROPROFILE DOUBLE CYLINDERS WITH EMERGENCY KEY FUNCTION



Double cylinder with
emergency key
function, characterised
by nickel-plated cam.
This function allows a
door to be unlocked
from either side even if
key is still inserted on the other side. 3 keys.
Minimum dimension: 30 x 30mm
Nickel Plated/ Brass Finish

EUROPROFILE DOUBLE CYLINDER WITH THUMBTURN



Cylinder with
ergonomic thumbturn
for installation on all
door types. 3 keys.
Minimum dimension:
30 x 30mm
Nickel Plated/Brass
Finish

BENEFITS

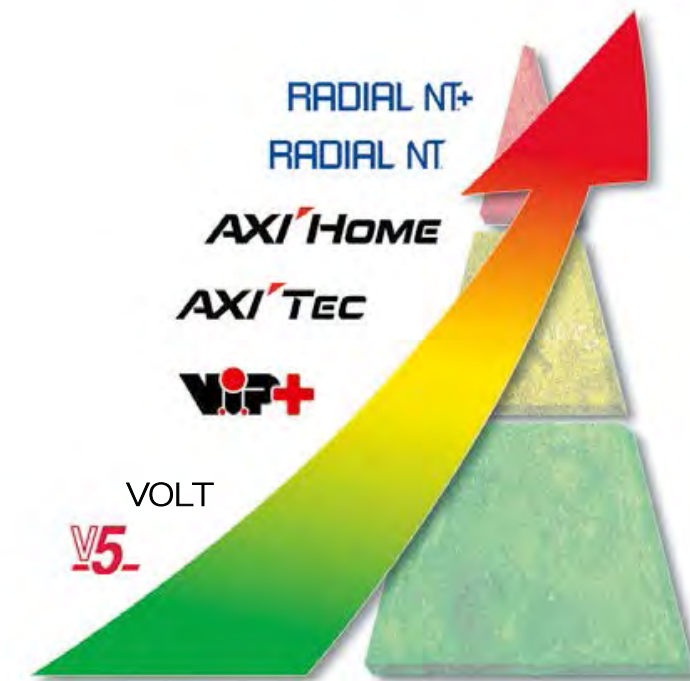
The solution to the above duplication and security risk is Vachette's 3D Trademark registration key systems.

1. Long lasting controlled key duplication for lifetime as key blanks are protected by 3D Trademark registration
2. Design of each key is to suit application, whether it be commercial or residential as designs are attractive, ergonomic and modern.
3. Available in several versions such as the AXI'HOME AND AXI'TEC.

ONE SINGLE KEY FEATURE



LEVEL OF SECURITY VACHETTE CYLINDER AND SUITABLE APPLICATION

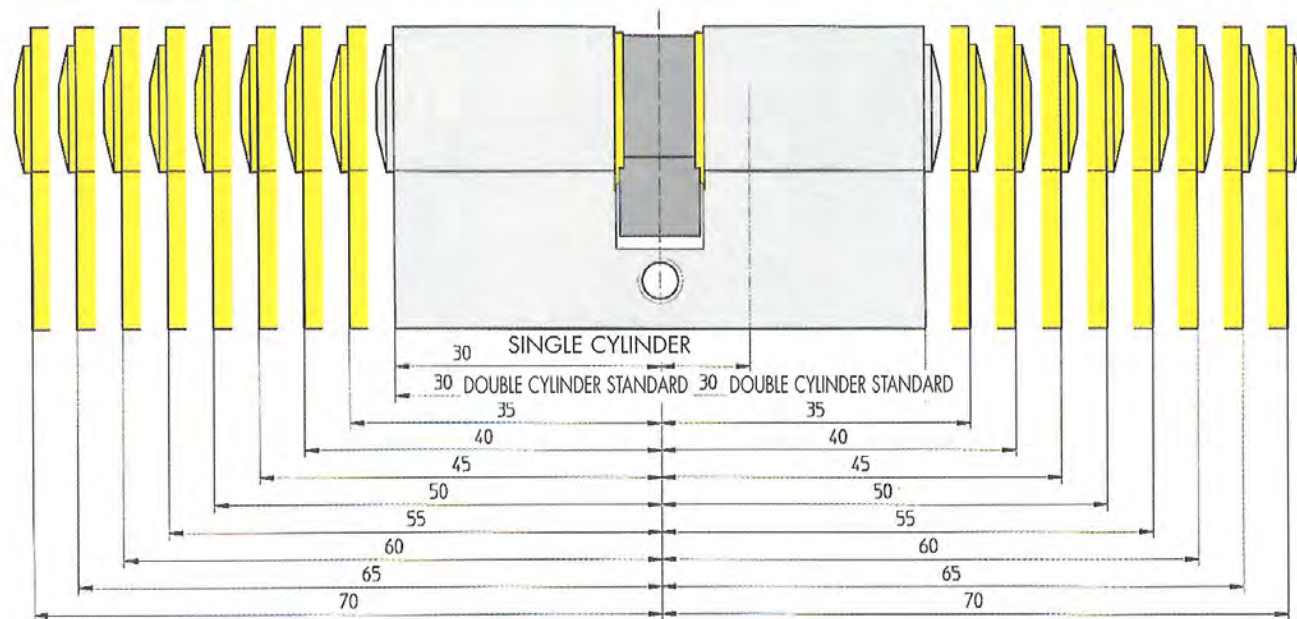


	RESIDENTIAL			
	DETACHED PROPERTIES	STANDARD	APARTMENTS HIGH QUALITY	DE LUXE
RADIAL NT+	●		●	●
RADIAL NT	●		●	●
AXI'HOME	●		●	●
VIP+	●	●	●	●
VOLT	●		●	
V5	●	●		

	SERVICE SECTOR						
	OFFICE INDUSTRY	INDUSTRY SHOPPING	LOCAL CENTRES	AUTHORITIES	HOSPITALS	SPORT	HOTEL
RADIAL NT+	●	●	●	●	●	●	●
RADIAL NT	●	●	●	●	●	●	●
AXI'TEC	●	●	●	●	●	●	●
VIP+	●	●	●	●	●	●	●
VOLT	●	●	●	●	●	●	●
V5	●	●	●	●	●	●	●

● Potentially suitable ● Suitable ● Ideally suitable

EXTENDED DUAL PROFILE CYLINDER



On request, Vachette cylinder can be supplied in extended version (for overlapping doors, extra thick doors, etc).

- The cylinder dimension is calculated by measuring the distance between the front face of the cylinder and the centre of the cam.
- Extra length increases in steps of 5 mm, either side.
- The maximum extra length on one side cannot exceed 40mm. For length beyond this, please contact us to discuss your enquiries.
- It is not necessary to specify the handing (right tor left) for double cylinder with asymmetrical extension and for single cylinders, provided the cylinders are fitted to Vachette locks; however this information is needed if the cylinders are fitted to locks of other makes.
- When ordering asymmetrically extended cylinders, always define the outside dimension first.

VACHETTE CYLINDER PRODUCT RANGE

AXI'HOME

Dedicated to residential sites, this device meets the increasing security requirements in terms of design and convenience. Suited to residential properties including in both blocks of flats and detached housing.

BENEFITS

Long Lasting - Controlled key duplication for life 3D Trademark registration key systems: reproduction forbidden except in our works without any time limit

Reliability and Security - A2P*(1) compatible cylinder. Shutter standard on the outer side

Design, Ergonomic, Convenience - Dual-material ring, Key shank in 3 dimensions: functional, secure and attractive

Differ and on Master key Schedule - Hierarchical organisation of the protected doors (central opening, master key, etc)

4 Keys with Different Colours - Everyone has got his/her key with his/her own colour!

APPLICATIONS



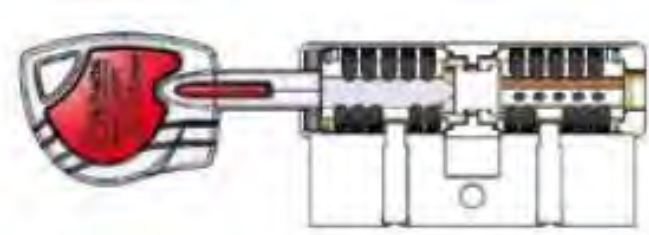
DWELLING HOUSE



HOUSING
(INCLUDING BUT NOT LIMITED TO
HDB, CONDOMINIUM AND
APARTMENT)

AXI'HOME PRODUCTS

EURO PROFILE DOUBLE CYLINDERS A2P



A2P compatible cylinder. 4 coloured keys (black, red, green and blue). Shield standard on the outer side.

Minimum dimension: 30 x 30 mm

Nickel plated - Ref. 7101 AXI'HOME N1 For use with Vachette locks A2P*

Brass finish - Ref. 7100 AXI'HOME N1 For use with Vachette locks A2P*

EURO PROFILE DOUBLE CYLINDERS



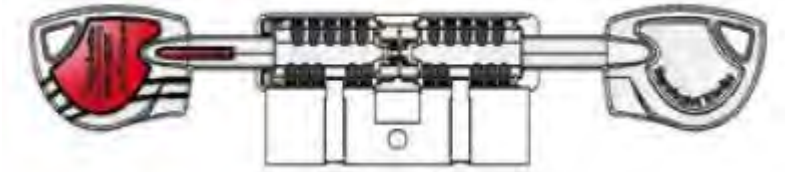
A2P compatible cylinder. 4 coloured keys (black, red, green and blue).

Minimum dimension: 27.5 x 27.5 mm (without shield)

Nickel plated - Ref. 7011 AXI'HOME N1 For use with Vachette locks A2P*

Brass finish - Ref. 7010 AXI'HOME N1 For use with Vachette locks A2P*

EURO PROFILE DOUBLE CYLINDERS SYNKRO A2P



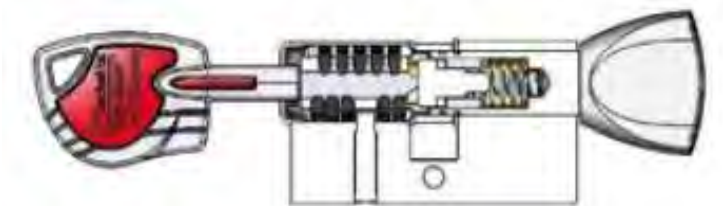
Double cylinder SYNKRO compatible A2P this function allows to unlock the door if the key has been left inserted in the lock inside. Gives a feeling of security if children or old people are at home. 4 coloured keys (black, red, green and blue). Shield standard on the outer side.

Minimum dimension: 30 x 30 mm

Nickel plated - Ref. FCS 7101 AXI'HOME N1 (For use with Vachette locks A2P*)

Brass finish - For use with Vachette locks A2P*

EURO PROFILE DOUBLE CYLINDER WITH THUMB TURN A2P



2P compatible cylinder. Cylinder fitted with an ergonomic thumb turn for use on any types of doors. 4 coloured keys (black, red, green and blue). Shield standard.

Min. dimension: 30 x 30 mm

Nickel plated - Ref. 3111 AXI'HOME N1 For use with Vachette locks A2P*

Brass finish - Ref. 3110 AXI'HOME N1 For use with Vachette locks A2P*

EURO PROFILE SINGLE CYLINDER A2P



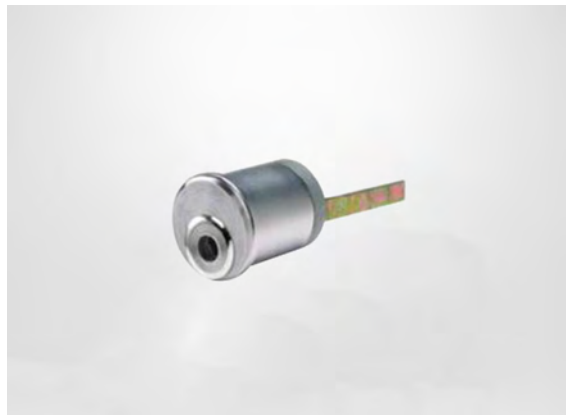
Single cylinder with adjustable cam. A2P compatible. 4 coloured keys (black, red, green and blue). Shield standard.

Minimum dimension: 30 x 10 mm

Nickel plated - Ref. 5101 AXI'HOME N1 For use with Vachette locks A2P*

Brass finish - Ref. 5100 AXI'HOME N1 For use with Vachette locks A2P*

EXTENSIBLE RIM CYLINDER



Extensible rim cylinder, Keys in 4 colours.

Nickel plated - Ref V55 M AXI'HOME

CYLINDER CAM LOCK



Cylinder camlock for letter boxes with cam F, K or N, Keys in 4 colours.

Nickel plated - Ref 5166 M AXI'HOME

Brass finish - Ref 5166 P AXI'HOME

SWITCH CYLINDER



Switch cylinder for electric gates, fitted on a plate, 2 micro-switches, nickel plated,

Keys in 4 colours.

Nickel plated - Ref V56 M AXI'HOME

Switch cylinder for electric gates with double compact built-in switches,

Keys in 4 colours.

Nickel plated - Ref V57 M AXI'HOME

Switch cylinder for building entrance fitted on an angle plate, 1 micro-switch,

Keys in 4 colours.

Nickel plated - Ref V555 M AXI'HOME

* In order to keep their certification, the products must be installed with the lock, the strike and the AP2 certified accessories and sold by Vachette

SPECIFICATION

BRASS FINISH OR NICKEL PLATED

- Key with prohibited duplication without any time limit
- System protected by a 3D Trademark registration
- System with multidirectional pins

CYLINDER TO DIFFER

- 15 pins on 3 rows
- 10,000,000 differs

MASTER KEY SCHEDULE

- Features:
 - Up to 23 pins on 5 rows
 - Tungsten carbide protection shield (rotor)
 - Anti-drill insert in tempered steel (stator)
 - Stainless steel pins for better mechanical resistance (anti-picking) and protection against corrosion
 - Key blank made of German silver
 - Torsion resistance: 8 Nm
 - Shutter on the outer side standard (optional: inner side): protection against dust penetration

- Minimum dimensions standard range
 - Double cylinder 30 x 30 mm (extension in steps of 5 mm) **For dimensions exceeding a total length of 140 mm, please contact us to discuss your enquiries.**
 - Single cylinder 30 x 10 mm (extension in steps of 5 mm) **For dimensions exceeding 80 mm, please contact us to discuss your enquiries.**
 - Shortened cylinder range: Double cylinder 27.5 x 27.5 mm (without shutter)

AXI'TEC

The AXI'TEC key and cylinder set is the most recent development for the security of commercial sites. Available on master key schedule only, this system offers all the possibilities of hierarchical organisation of the most demanding non-residential sites

BENEFITS

Available in Several Versions

- Large possibilities on complex master key schedules
- The right answer to all the issues in connection with the building industry

Durability

- Controlled key duplication for life
- Cylinder combining performance and security

Design

- Ergonomic ring
- Key blank in 3 dimensions

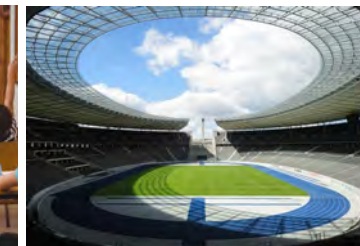
APPLICATIONS



INDUSTRY



SCHOOL



SPORT AND
LEISURE



TERTIARY SECTOR



SUPERMARKET



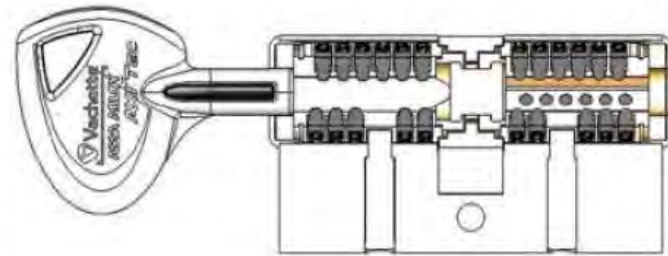
HOSPITAL



RESTAURANT

AXI'TEC PRODUCTS

EURO PROFILE DOUBLE CYLINDERS

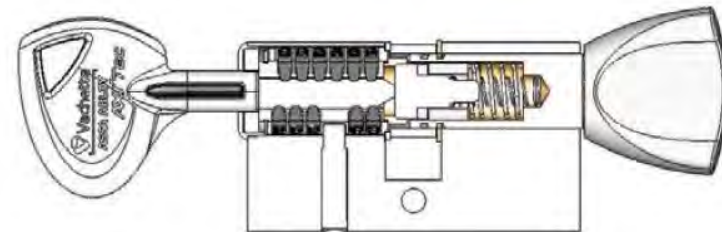


Double cylinder. 3 keys.

Minimum dimension: 30 x 30 mm

Nickel plated - Ref. 7101 AXI'TEC

EURO PROFILE DOUBLE CYLINDER WITH THUMB TURN

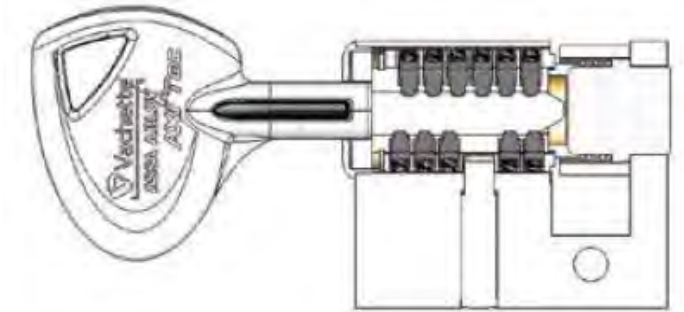


Cylinder fitted with an ergonomic thumb turn for installation on any type of doors. 3 keys

Minimum dimension: 30 x 30 mm

Nickel plated - Ref. 3111 AXI'TEC

EURO PROFILE SINGLE CYLINDER

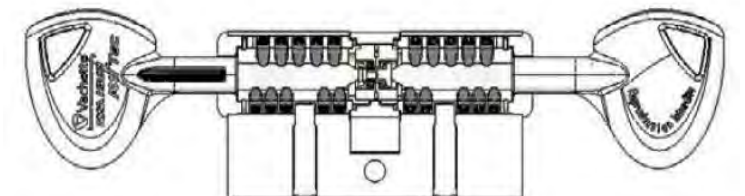


Single cylinder with Adjustable cam 3 keys

Minimum dimension: 30 x 10 mm

Nickel plated - Ref. 5101 AXI'TEC

EURO PROFILE DOUBLE CYLINDERS SYNKRO

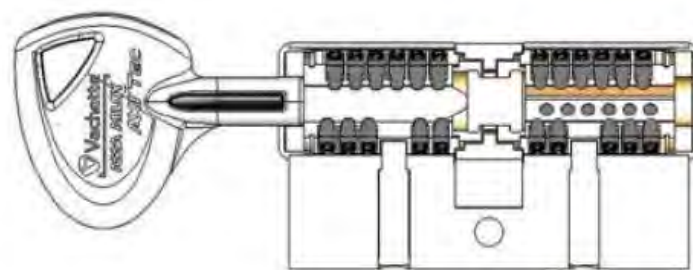


Double cylinder SYNKRO. This function allows to unlock the door if the key has been left inserted inside. Gives a feeling of security if children or old people at home. 3 keys.

Minimum dimension: 30 x 30 mm

Nickel plated - Ref. FCS 7101 AXI'TEC

EURO PROFILE DOUBLE CYLINDERS, SHORT EXECUTION



Double cylinder. 3 keys.

Minimum dimension: 27.5 x 27.5 mm

Nickel plated - Ref. 7011 AXI'TEC

SPECIFICATION

NICKEL PLATED

- Key with prohibited duplication without any time limit
- Protected by a 3D Trademark registration
- On master key schedule only lock with multidirectional pins, up to 29 pins on 5 rows
- Stainless steel pins for better mechanical resistance (anti-drilling) and protection against corrosion
- Key blank made of German silver alloy
- Torsion resistance: 8 Nm

MINIMUM DIMENSIONS

- Double cylinder 30 x 30 mm (extension in steps of 5 mm)
For a total length exceeding 140 mm, please contact us to discuss your enquiries
- Single cylinder 30 x 10 mm (extension in steps of 5 mm)
For dimensions exceeding 80 mm, please contact us to discuss your enquiries
- Shortened cylinder range:
Double cylinder 27.5 x 27.5 mm

VIP+

With its two-directional pinning technology, the VIP+ system allows complex master-key schedules. It offers protection against unauthorised key-duplication until 2030.

BENEFITS

Security

- Delivered with VIP cylinder and VIP + key
- New patented VIP + key
- A2P version * (1)

Performance

Following complex flowcharts on plan: up to 23 bidirectional pins

Comfort

Curved head rotor with slot for easy insertion of the key and increased resistance to torsion

Resistance

- Nickel-plated solid brass cylinder
- Nickel-plated anti-pick pins

APPLICATIONS



INDUSTRY



SCHOOL



SPORT AND
LEISURE



TERTIARY SECTOR



SUPERMARKET



HOSPITAL

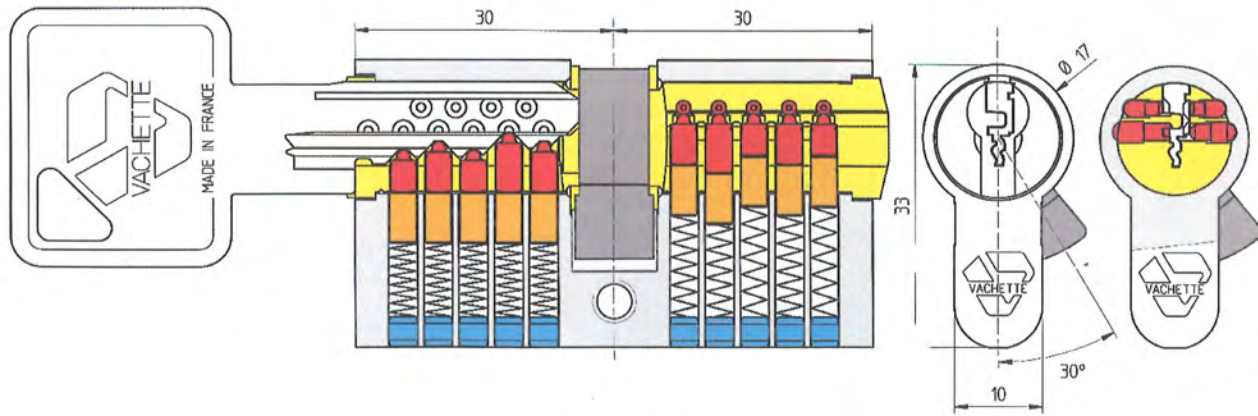


RESTAURANT

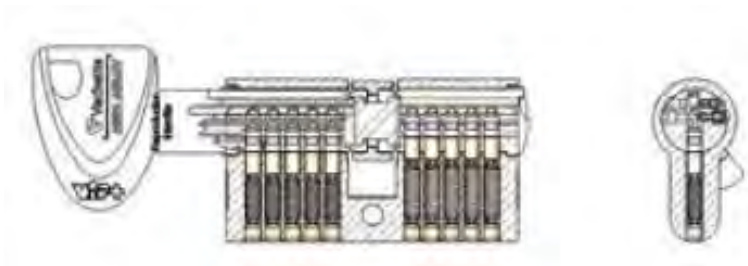


DWELLING
HOUSE

VIP+ PRODUCTS

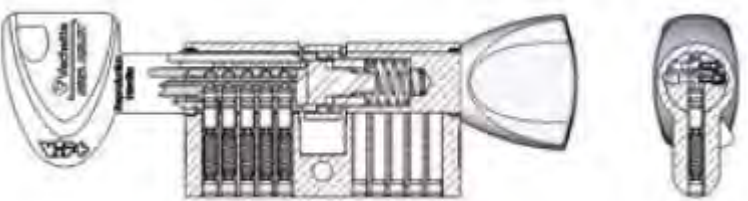


EURO PROFILE DOUBLE CYLINDERS



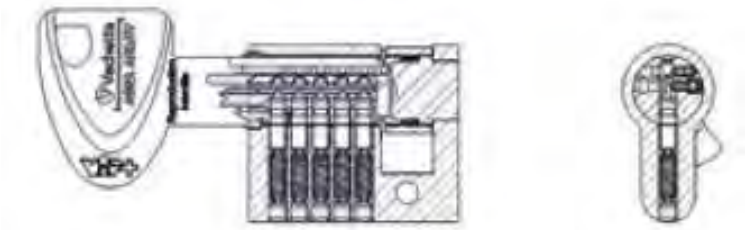
Double cylinder. 3 keys
Minimum dimension: 30 x 30 mm
Nickel plated - Ref. 7101 VIP+

EURO PROFILE DOUBLE CYLINDER WITH THUMB TURN



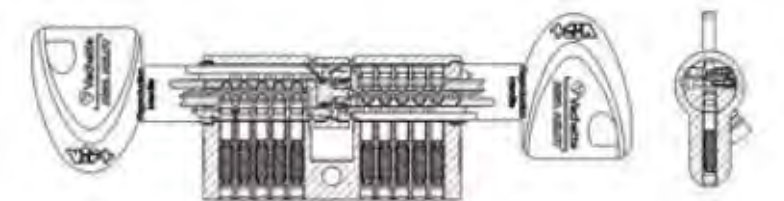
Cylinder with ergonomic thumbturn for installation on all door types. 3 keys.
Minimum dimension: 30 x 30 mm.
Nickel plated - Ref. 3111 VIP+

SINGLE EURO PROFILE CYLINDERS



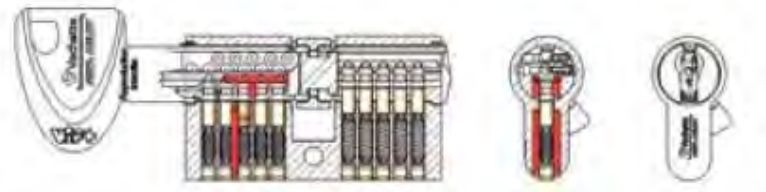
Single cylinder with adjustable cam. 3 keys
Minimum dimension: 30 x 10 mm
Nickel plated - Ref. 5101 VIP+

EUROPROFILE DOUBLE CYLINDER WITH EMERGENCY KEY FUNCTION



Double cylinder SYNKRO with emergency key function, characterised by nickel-plated cam. This function allows a door to be unlocked from either side even if a key is still inserted on the other side.
3 keys.
Minimum dimension: 30 x 30 mm up to 70 x 70 mm.
Nickel plated - Ref. FCS 7101 VIP+

HIGH SECURITY ANTI-DRILL EUROPROFILE DOUBLE CYLINDER



Cylinder A2P(1). Double cylinder with anti-drill inserts.

3 keys.

Minimum dimension: 30 x 30 mm.

Nickel plated - Ref. 7101 VIP+ N1 For use with Vachette locks A2P*

HIGH SECURITY ANTI-DRILLING EUROPROFILE SINGLE CYLINDER



Cylinder A2P (1). Single cylinder with adjustable cam.

3 keys.

Minimum dimension: 30 x 10 mm.

Nickel plated - Ref 5101 VIP+ N1 For use with Vachette locks A2P*

CYLINDER CAM LOCK



3 keys, cam F, K or N.

Nickel plated - Ref 5166 VIP+

SWITCH CYLINDER



For main entrance doors to buildings, 1 micro-switch, 3 keys.

Nickel plated V555 VIP+

* In order to keep their certification, the products must be installed with the lock, the strike and the AP2 certified accessories and sold by Vachette

- Two-directional pinning system:
 - 14 to 23 pins on 4 to 5 rows.
 - Mushroom" (anti picking) type pins.
 - Stainless Steel passive pins anti-pick profile.
 - N1 version with anti-drilling hardened steel pins.
- Key section: 3 mm, material: nickel silver.
- Torsion resistance: 10 Nm.
- Over 32 million differs.
- Housing: one-piece, in solid nickel-plated brass.
- Plug: solid nickel-plated brass, grooved dome head for easier key insertion and improved resistance against picking.
- System is protected by patent valid until 2030

- Minimum dimensions standard range
 - Double cylinder 30 x 30 mm (Extension in steps of 5 mm up to 70 x 70mm).
For dimensions exceeding a total length of 140 mm, please contact us to discuss your enquiries.
 - Single cylinder 30 x 10 mm (Extension in steps of 5 mm up to 70 x 10mm).
For dimensions exceeding 80 mm, please contact us to discuss your enquiries.

With its 5 mushroom shaped pins in line technology, the V5 System offers good protection against picking. The extensive number of key profiles allow very complex master key schedule.

BENEFITS

- Anti-pick pins
- Compatible with all types of master key schedules
- Ergonomic key

APPLICATIONS



INDUSTRY



HOUSING



SCHOOL



DWELLING HOUSE



SUPERMARKET



TERTIARY SECTOR



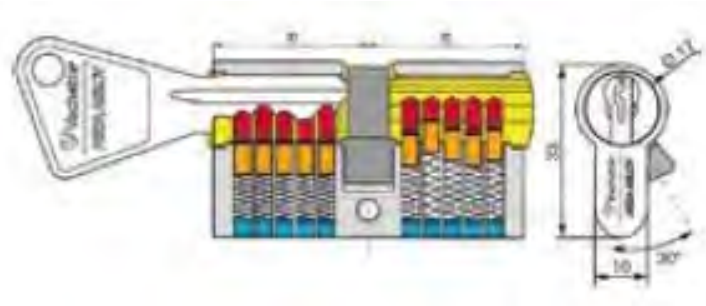
HOSPITAL



RESTAURANT

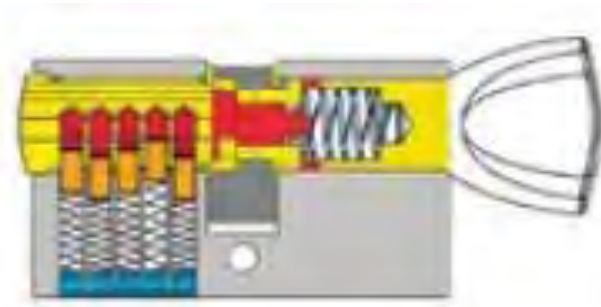
V5 SYSTEM PRODUCTS

EURO PROFILE DOUBLE CYLINDERS



Double cylinder. 3 keys
 Minimum dimension: 30 x 30 mm
 Nickel plated
 Ref. 7101
 Brass finish - Ref. 7100

EURO PROFILE DOUBLE CYLINDER WITH THUMB TURN



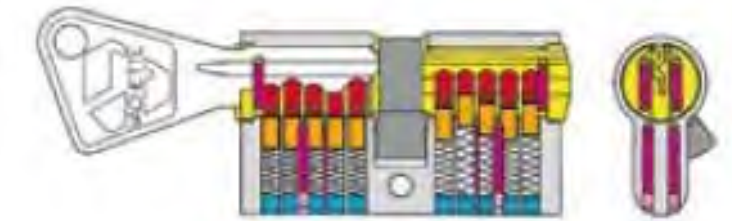
Cylinder with ergonomic thumb turn for installation on all door types. 3 keys
 Minimum dimension: 30 x 30 mm
 Nickel plated - Ref. 3111
 Brass finish - Ref. 3110

SINGLE EURO PROFILE CYLINDERS



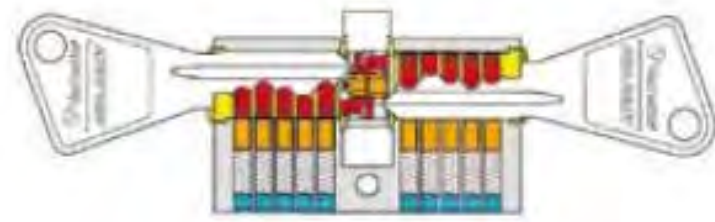
Single cylinder with adjustable cam. 3 keys
 Minimum dimension: 30 x 10 mm
 Nickel plated - Ref. 5101
 Brass finish - Ref. 5100

HIGH SECURITY ANTI-DRILL EURO PROFILE DOUBLE CYLINDER



Double cylinder with anti-drill inserts for better resistance against forced entry. 3 keys
 Minimum dimension: 30 x 30 mm
 Nickel plated - Ref. 7101 HS

EURO PROFILE DOUBLE CYLINDERS WITH EMERGENCY KEY FUNCTION



Double cylinder with emergency key function, characterised by nickel-plated cam. This function allows a door to be unlocked from either side even if a key is still inserted on the other side. 3 keys. Minimum dimension: 30 x 30 mm

Nickel plated - Ref. FCS 7101

Brass finish - Ref. FCS 7100



CYLINDER SWITCH LOCKS

For electrically operated door opening systems. Brass cylinder 25 mm, length 28 mm, 5 pins, 3 German silver keys, brass finish P

For electrically operated door opening systems. Brass cylinder 25 mm, length 66 mm, 5 pins, 3 German silver keys, 1 micro-switch, chrome finish M. For main entrance doors to buildings. Brass

EXTENSIBLE CYLINDER



Brass finish

Satin nickel-plated cylinder, 27 mm, 5 pins, 3 German silver keys, brass finish P or chrome finish M

CYLINDER CAM LOCK



Brass finish

3 keys, cam F, K or N

SPECIFICATION

TECHNICAL DATA

- 5 "Mushroom" type anti-pick pins, in line with anti-drilling hardened steel pins
- 3 numbered keys
 - In steel (differ cylinders), 2.2mm cross section
 - In German silver (master keyed cylinders), 2.7mm cross section, 8Nm torque resistance
- Housing: One-piece; Solid Brass
- -15,000 differs Plug: dome head for easier key insertion and improved resistance against twisting the key.
- Presence of a groove to hold the key shoulder, improving the resistance to twisting

MINIMUM DIMENSIONS

- Double Cylinder 30 x 30mm [Extension in steps of 5mm up to 70 x 70mm]
- Single Cylinder 30 x 10mm [Extension in steps of 5mm up to 70 x 10mm]

VACHETTE DOOR HANDLE CATALOGUE



SILLAGE

As a result of the close collaboration between Vachette and IDA Paris design, Sillage is the affirmation of Vachette's positioning in the world of high class door handles. Coated with brass titanium protection, Sillage's striking and pointed line makes it a model with a strong personality.

Available in two finishes:

- Satin chrome
- Polished chrome

Lever handles on long plates (224 x 42 mm)

- Also available Fixed knob + inside lever
- Bolt through fixing invisible outside
- Fixing centers 195 mm

Lever handles on roses (Ø 46 mm)



CHROME
DOOR
ASSEMBLY



SILLAGE PRODUCTS

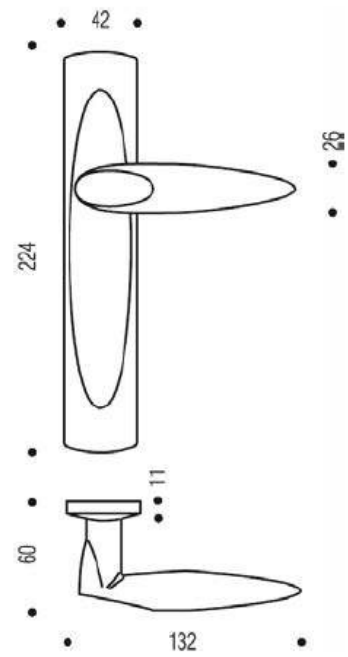
LEVER HANDLE SET ON LONG PLATES



Ref. 136/6340

Functions

- For passage lock
- For euro cylinder
- For privacy



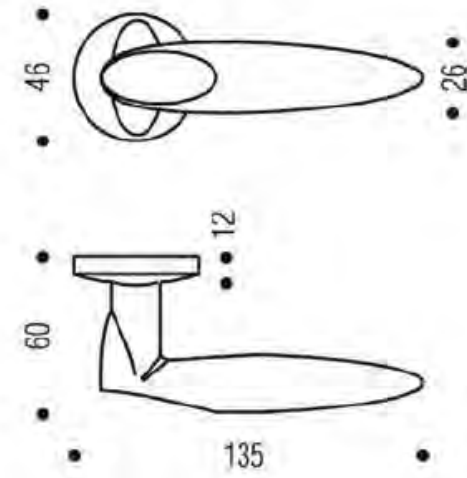
LEVER HANDLE SET ON ROSES



Ref. 136/6500

Functions

- For euro cylinder
- For privacy



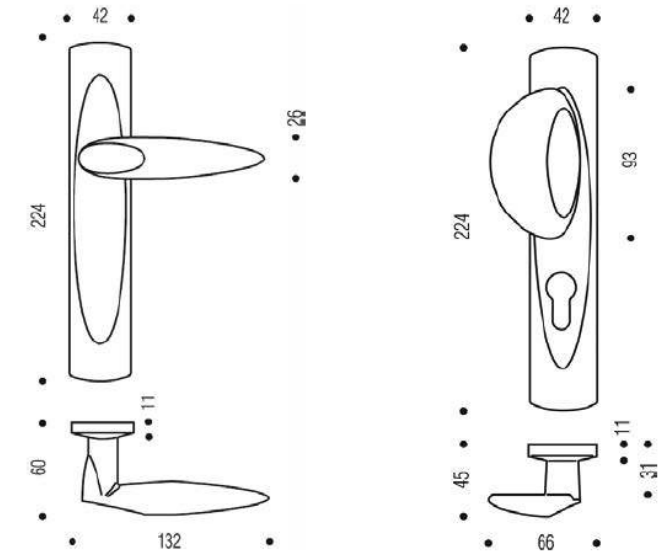
FIXED KNOB + INSIDE LEVER ON LONG PLATES



Ref. 539/136/6340

Functions

- For euro cylinder



MUZE

Fluid design which will perfectly match all kinds of modern interiors.

Available in three finishes:

- Satin chrome
- Platinum
- Black diamond

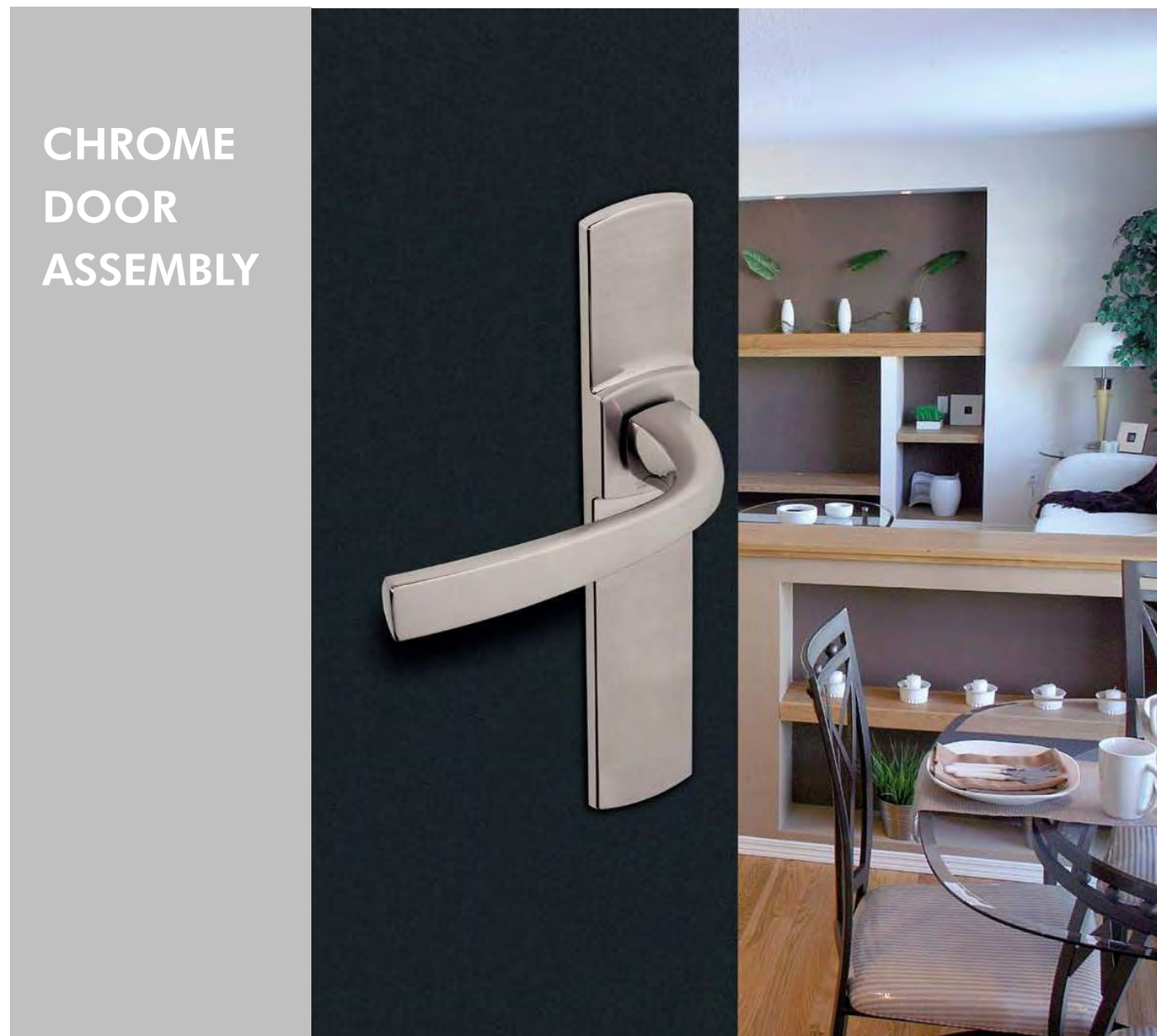
Lever handles on long plates (220 x 41 mm)

Lever handles on Short plates (185 x 41 mm)

- Also available Fixed knob + inside lever
- Bolt through fixing invisible outside
- Fixing centers 195 mm / 165 mm

Lever handles on roses

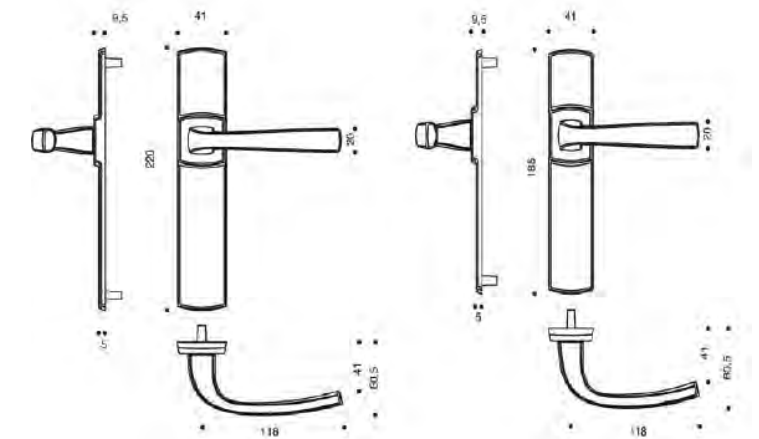
- Square rounded corners (52 x 52 mm)
- Also available Fixed knob + inside



**CHROME
DOOR
ASSEMBLY**

MUZE PRODUCTS

LEVER HANDLE SET ON PLATES



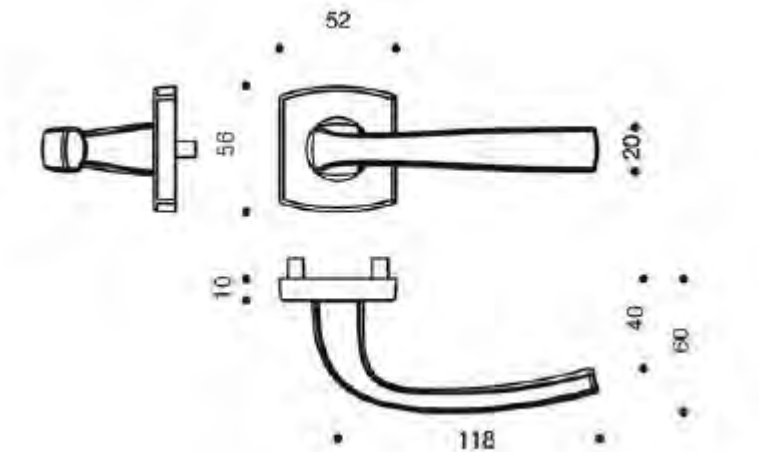
Long plates: 195 mm - Ref. 4075 / 6391

Short plates: 165 mm - Ref. 4075 / 6390

Functions

- For passage lock
- For euro cylinder
- For privacy
- For privacy with Indicator

LEVER HANDLE SET ON ROSES

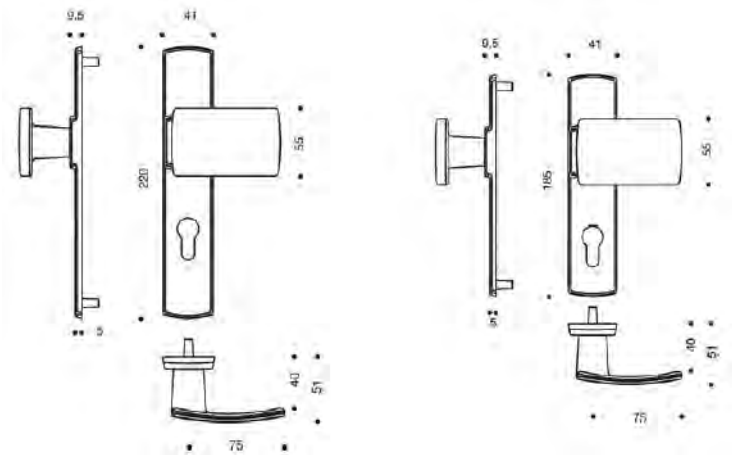


Ref. 4075 / 6425

Functions

- For passage lock
- for euro cylinder
- For privacy
- For privacy with Indicator

FIXED KNOB + INSIDE LEVER ON PLATES



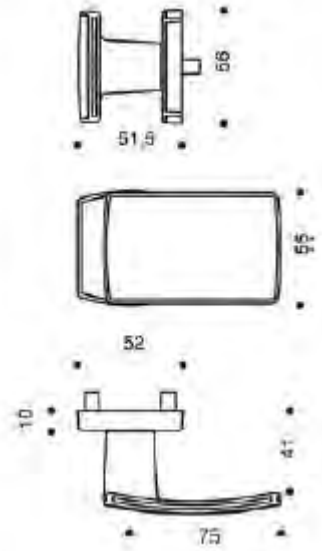
Long plates: 195 mm - Ref. 525/4075/6391

Short plates: 165 mm - Ref. 525/4075/6390

Functions

- For euro cylinder

FIXED KNOB + INSIDE LEVER ON ROSES



Ref. 525/4075/6425

Functions

- For euro cylinder

ARTIS

Fluid design which will perfectly match all kinds of modern interiors.

Available in three finishes:

- Satin chrome
- Platinum
- Black diamond

Lever handles on long plates (220 x 41 mm)

Lever handles on Short plates (185 x 41 mm)

- Also available Fixed knob + inside lever
- Bolt through fixing invisible outside
- Fixing centers 195 mm / 165 mm

Lever handles on roses

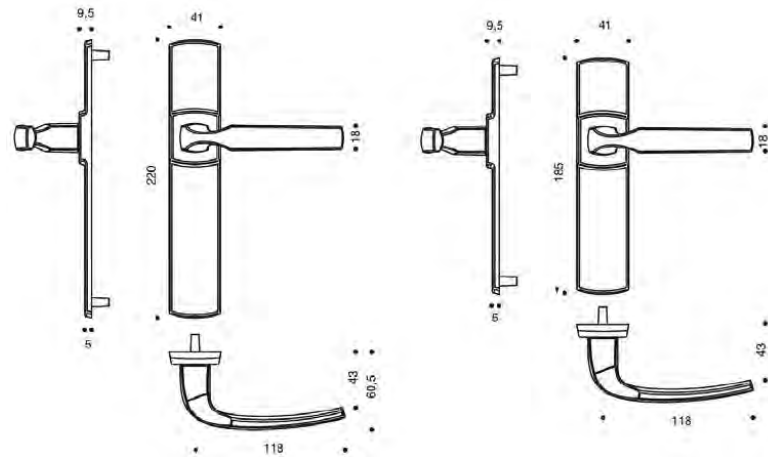
- Square rounded corners (52 x 52 mm)
- Also available Fixed knob + inside

**CHROME
DOOR
ASSEMBLY**



ARTIS PRODUCTS

LEVER HANDLE SET ON PLATES

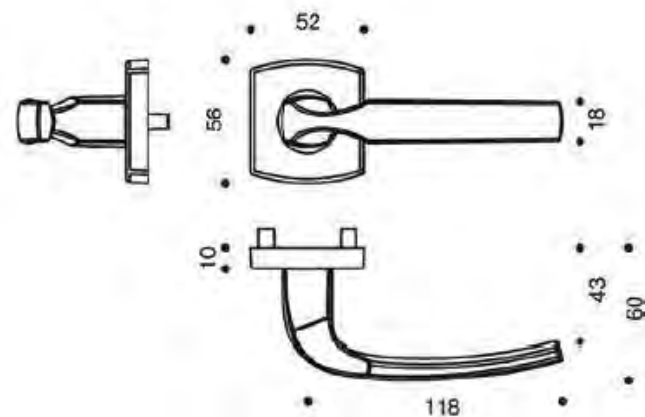


Long plates: 195 mm - Ref. 4076 / 6391
 Short plates: 165 mm - Ref. 4076 / 6390

Functions

- For passage lock
- For euro cylinder
- For privacy
- For privacy with Indicator

LEVER HANDLE SET ON ROSES

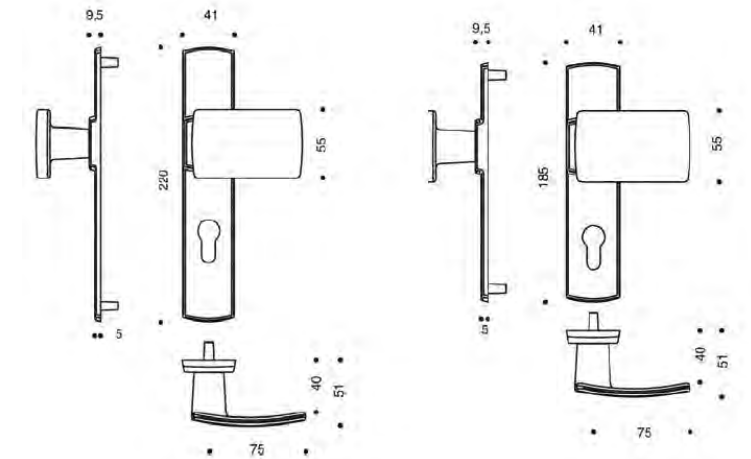


Ref. 4076 / 6425

Functions

- For passage lock
- for euro cylinder
- For privacy
- For privacy with Indicator

FIXED KNOB + INSIDE LEVER ON PLATES



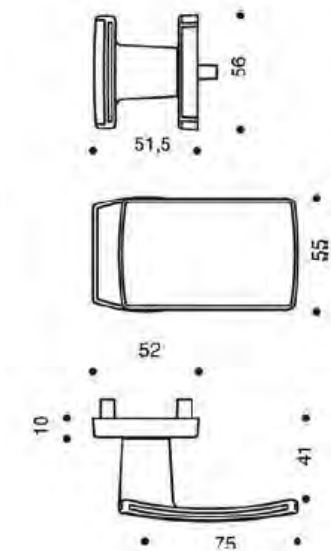
Long plates: 195 mm - Ref. 525/4076/6391

Short plates: 165 mm - Ref. 25/4076/6390

Functions

- For euro cylinder

FIXED KNOB + INSIDE LEVER ON ROSES



Ref. 525/4076/6425

Functions

- For euro cylinder

ALTO

The U shape handle with its unique design that complies with the EN 179 norm available in new finishes anti microbial and environmental friendly. Design in conjunction with the well-known French designer IDA Paris, Alto offers an alternative to the classic U shape handle and complies with EN 179.

Available in three finishes:

- Satin chrome
- TAM (Anti Microbial Treatment)
- Soleco (Environmental friendly surface treatment)

Lever handles on long plates (215 x 41 mm)

- Also available Fixed knob + inside lever
- Bolt through fixing invisible outside
- Fixing centers 195 mm

Lever handles on roses (Ø 52 mm)

- Also available Fixed knob + inside lever

Lever handles on square plates (150 x 150)

- Bolt through fixing invisible outside

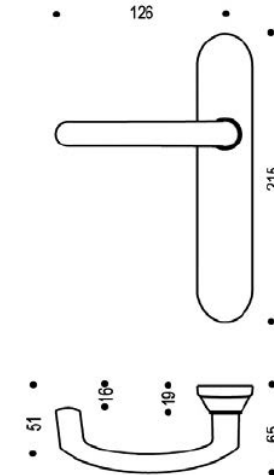
Lever handles on half circular plates (230 x 115)

- Bolt through fixing invisible outside



ALTO PRODUCTS

LEVER HANDLE SET ON LONG PLATES



Ref. 4068 / 6311

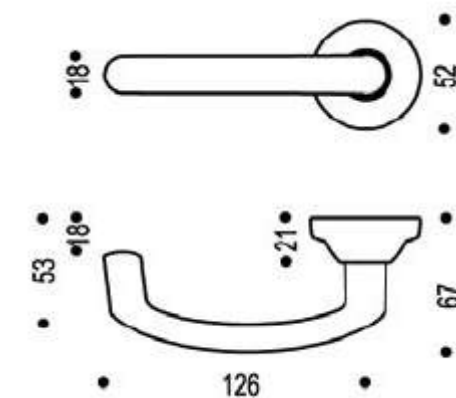
Functions

- For passage lock
- For euro cylinder
- For privacy
- For privacy with Indicator

Finishes

- Satin chrome
- TAM (Anti Microbial Treatment)
- Soleco (Environmental friendly surface treatment)

LEVER HANDLE SET ON ROSES



Ref. 4068 / 6371

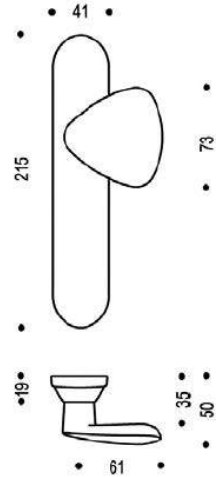
Functions

- For passage lock
- for euro cylinder
- For privacy
- For privacy with Indicator

Finishes

- Satin chrome
- TAM (Anti Microbial Treatment)

FIXED KNOB + INSIDE LEVER ON LONG PLATES



Ref. 533 / 4068 / 6311

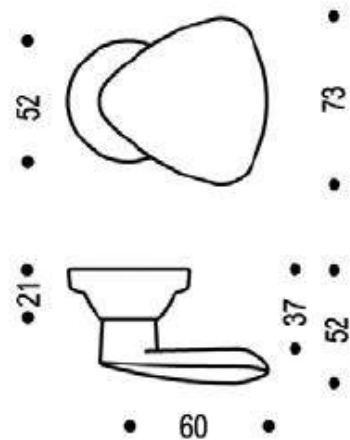
Functions

- For euro cylinder

Finishes

- Satin chrome
- TAM (Anti Microbial Treatment)
- Soleco (Environmental friendly surface treatment)

FIXED KNOB + INSIDE LEVER ON ROSES



Ref. 4076 / 6425

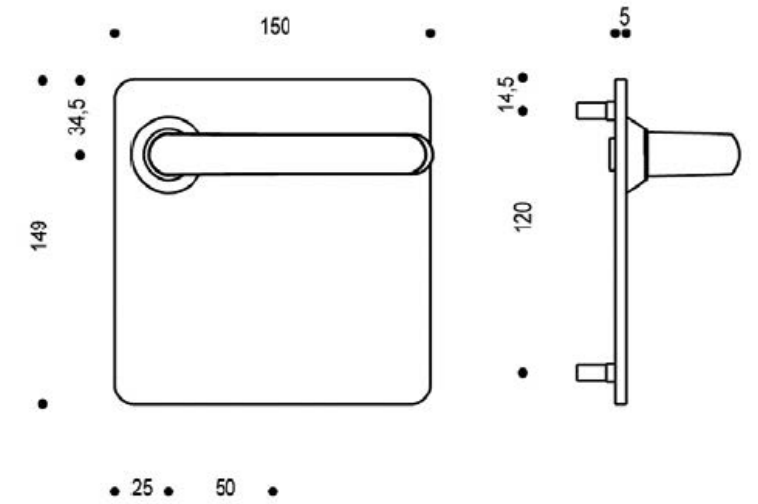
Functions

- For euro cylinder

Finishes

- Satin chrome

LEVER HANDLE SET ON SQUARE PLATES



Ref. 6350 DOME/4068 DOME

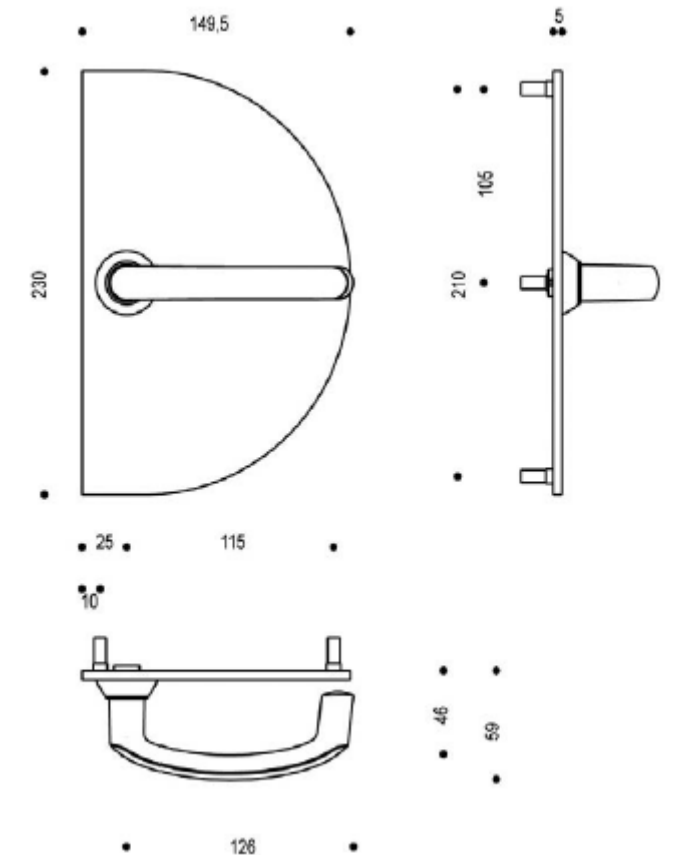
Functions

- For passage lock
- For euro cylinder
- For privacy
- For privacy with Indicator

Finishes

- TAM (Anti Microbial Treatment)

LEVER HANDLE SET ON CIRCULAR PLATES



Ref. 6360 DOME/4068 DOME

Functions

- For passage lock
- For euro cylinder
- For privacy
- For privacy with Indicator

Finishes

- TAM (Anti Microbial Treatment)

URBAN

Designed to appeal to passionate of design and ergonomic lovers, Urban is the expression of the esthetics in high end commercial and residential buildings. Urban offers a unique features : changing the design by returning the handle.

Available in two finishes:

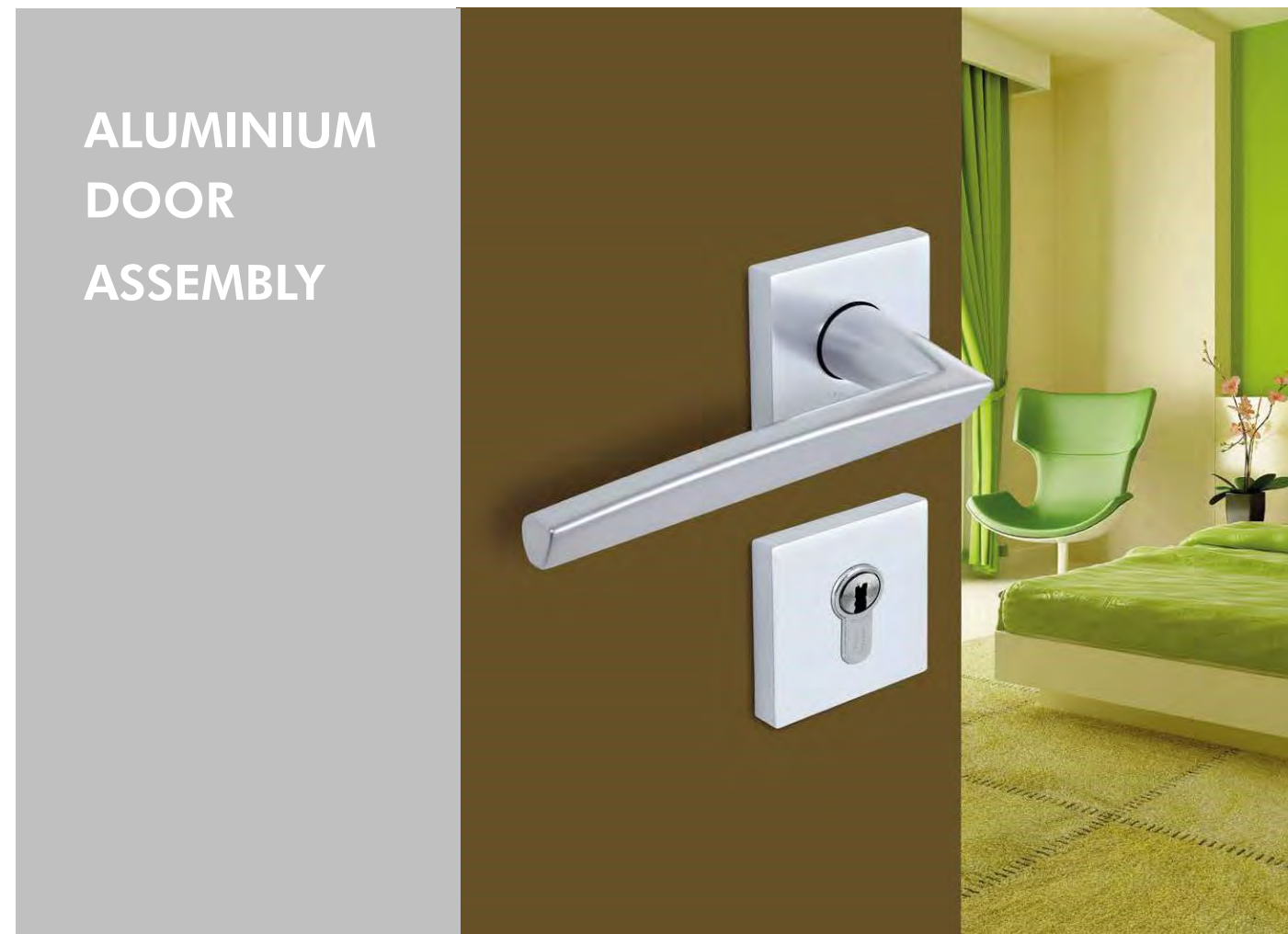
- Satin Natural anodised
- Anodinox (SS aspect)

Lever handles on long plates (230 x 42 mm)

- Round corners
- Square corners
- Also available Fixed knob + inside lever
- Bolt through fixing invisible outside
- Fixing centers 195 mm

Lever handles on roses

- Round (Ø 52 mm)
- Square (52 x 52 mm)
- Also available Fixed knob + inside lever
- Bolt through fixing invisible
- Fixing centers 38 mm



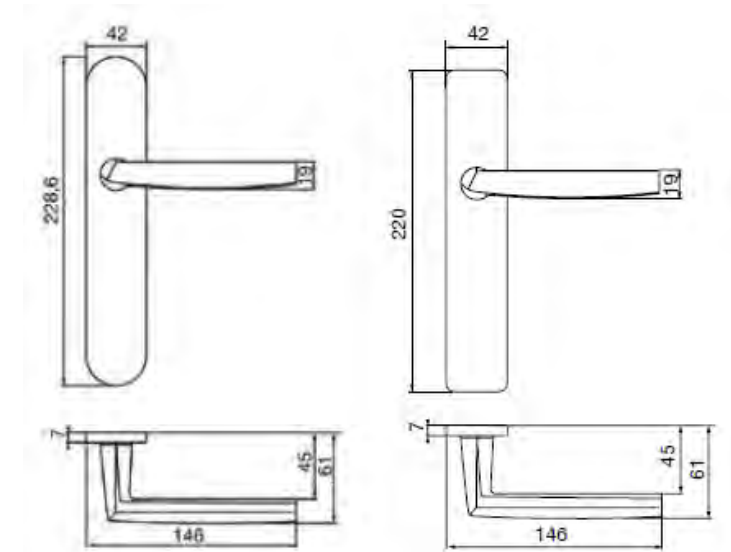
URBAN PRODUCTS

LEVER HANDLE SET ON LONG PLATES



Round corners - ref. 1359/6341

Square corners - ref. 1359/6331



Functions

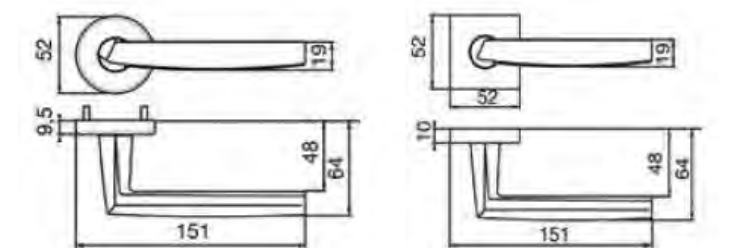
- For passage lock
- For euro cylinder
- For privacy
- For privacy with Indicator

LEVER HANDLE SET ON ROSES



Round corners - ref. 1359/6420

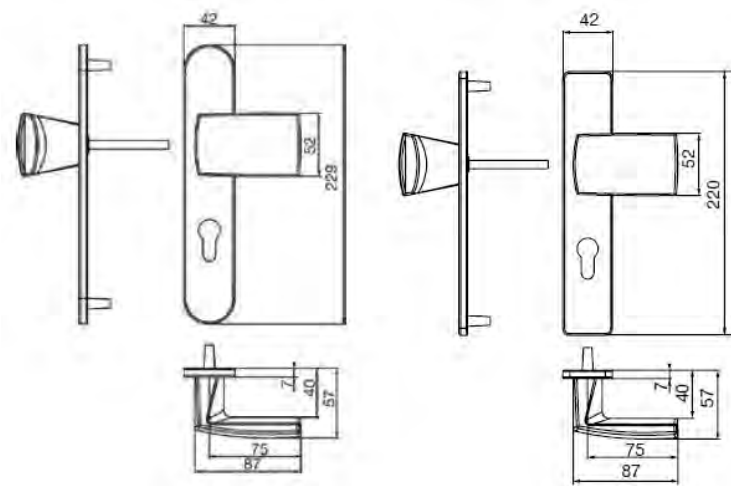
Square corners - ref. 1359/6421



Functions

- For passage lock
- for euro cylinder
- For privacy
- For privacy with Indicator

FIXED KNOB + INSIDE LEVER ON LONG PLATES



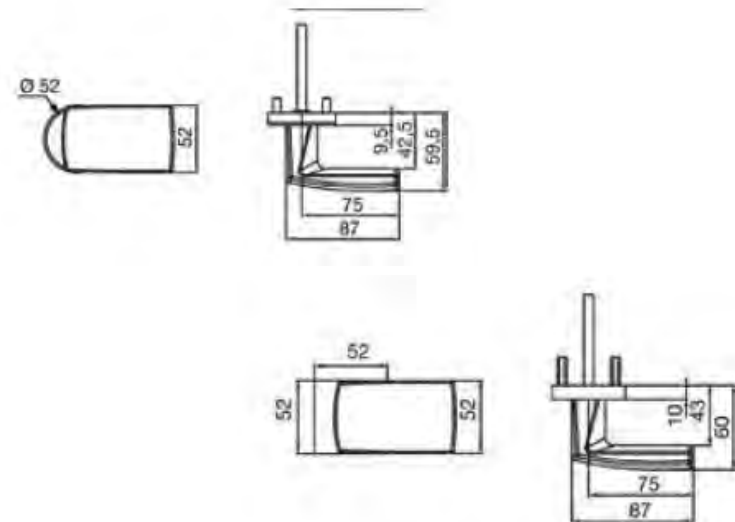
Round corners - Ref. 543/1359/6341

Square corners - Ref. 543/1359/6331

Functions

- For euro cylinder

FIXED KNOB + INSIDE LEVER ON ROSES



Round corners - Ref. 543/1359/6420

Square corners - Ref. 543/1359/6421

Functions

- For euro cylinder

CITYZEN

Designed to appeal to passionate of design and ergonomic lovers, Cityzen is the expression of the esthetics in high end commercial and residential buildings. Cityzen got the expertise of Vachette in its urban character, combined with extreme robustness aspirations. With a complete range, Cityzen is becoming the "business class" architectural solutions.

Available in two finishes:

- Natural anodized
- Anodinox (SS aspect)

Lever handles on long plates (230 x 42 mm)

- Round corners
- Square corners
- Also available Fixed knob + inside lever
- Bolt through fixing invisible outside
- Fixing centers 195 mm

Lever handles on roses

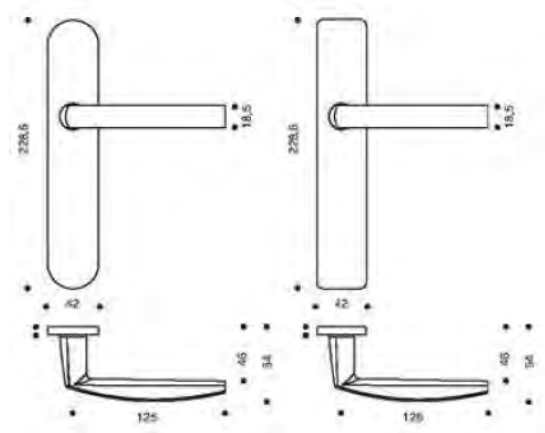
- Round (Ø 52 mm)
- Square (52 x 52 mm)
- Also available Fixed knob + inside lever
- Bolt through fixing invisible
- Fixing centers 38 mm

ALUMINIUM DOOR ASSEMBLY



CITYZEN PRODUCTS

LEVER HANDLE SET ON LONG PLATES



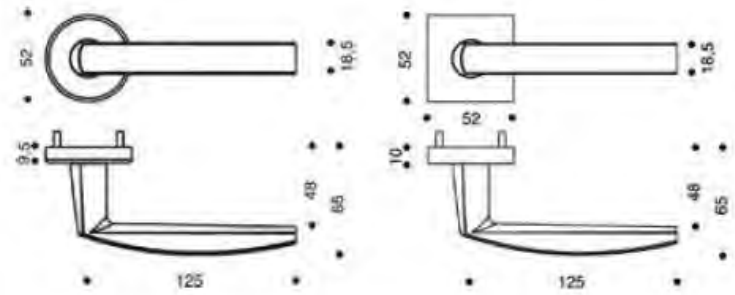
Round corners - ref. 1357/6341

Square corners - ref. 1357/6331

Functions

- For passage lock
- For euro cylinder
- For privacy
- For privacy with Indicator

LEVER HANDLE SET ON ROSES



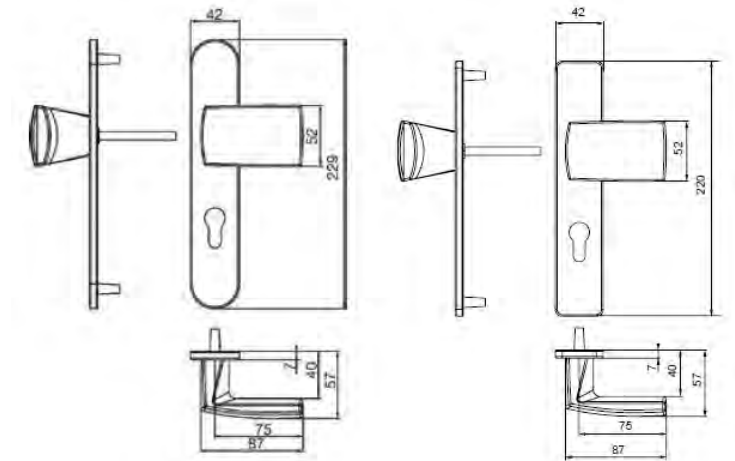
Round corners ref. 1357/6420

Square corners ref. 1357/6421

Functions

- For passage lock
- for euro cylinder
- For privacy
- For privacy with Indicator

FIXED KNOB + INSIDE LEVER ON LONG PLATES



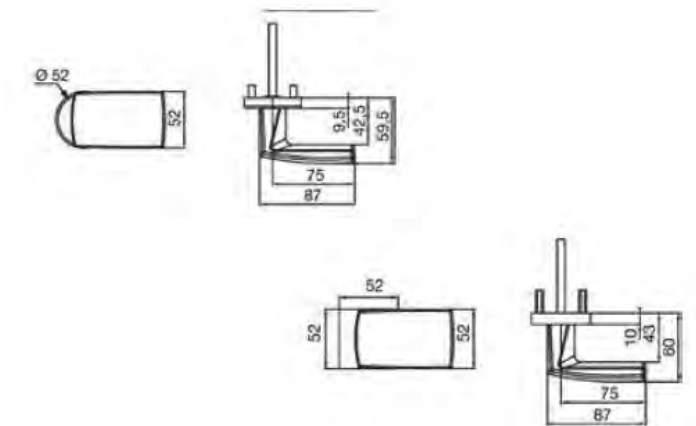
Round corners - Ref. 543/1357/6341

Square corners - Ref. 543/1357/6331

Functions

- For euro cylinder

FIXED KNOB + INSIDE LEVER ON ROSES



Round corners - Ref. 543/1357/6420

Square corners - Ref. 543/1357/6421

Functions

- For euro cylinder

LINOX

Linnox range offers solid stainless steel handles with most popular and classic designs, technically developed to meet the EN 1906 standards

Available in one finishes:

- Brushed stainless steel

Lever handles on roses (Ø 52 mm)

- Also available Fixed knob + inside lever



LINOX PRODUCTS

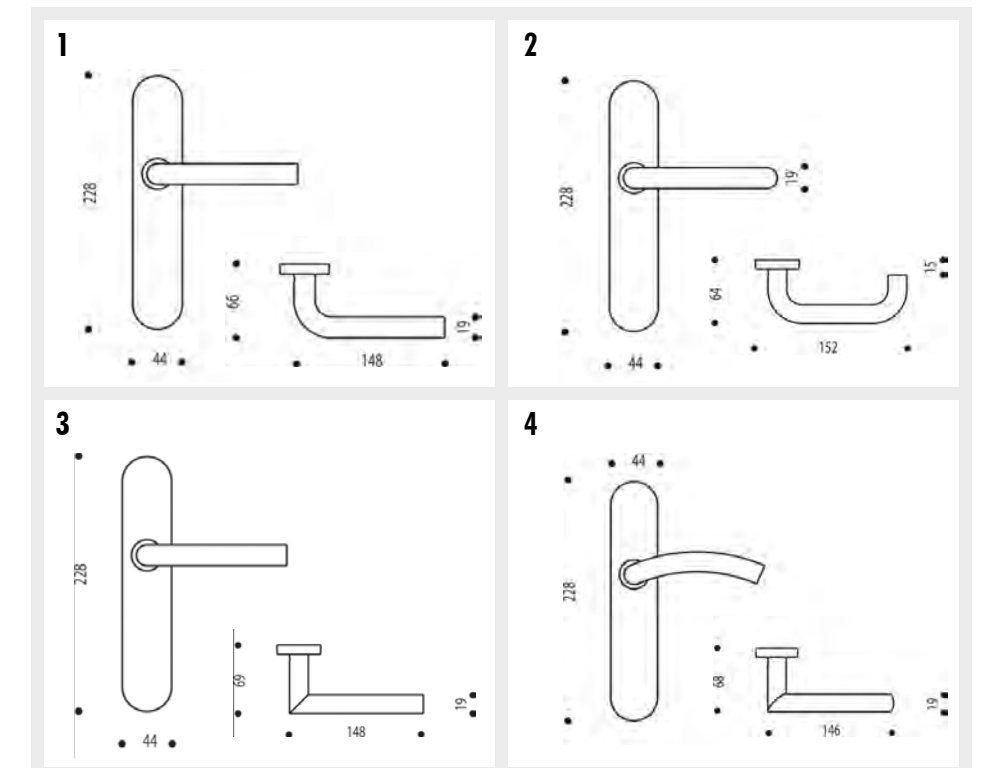
LEVER HANDLE SETS ON LONG PLATES



1. Ref. 491/6327
2. Ref. 492/6327
3. Ref. 493/6237
4. Ref. 494/6237

Functions

- For passage lock
- For euro cylinder
- For privacy
- For privacy with Indicator



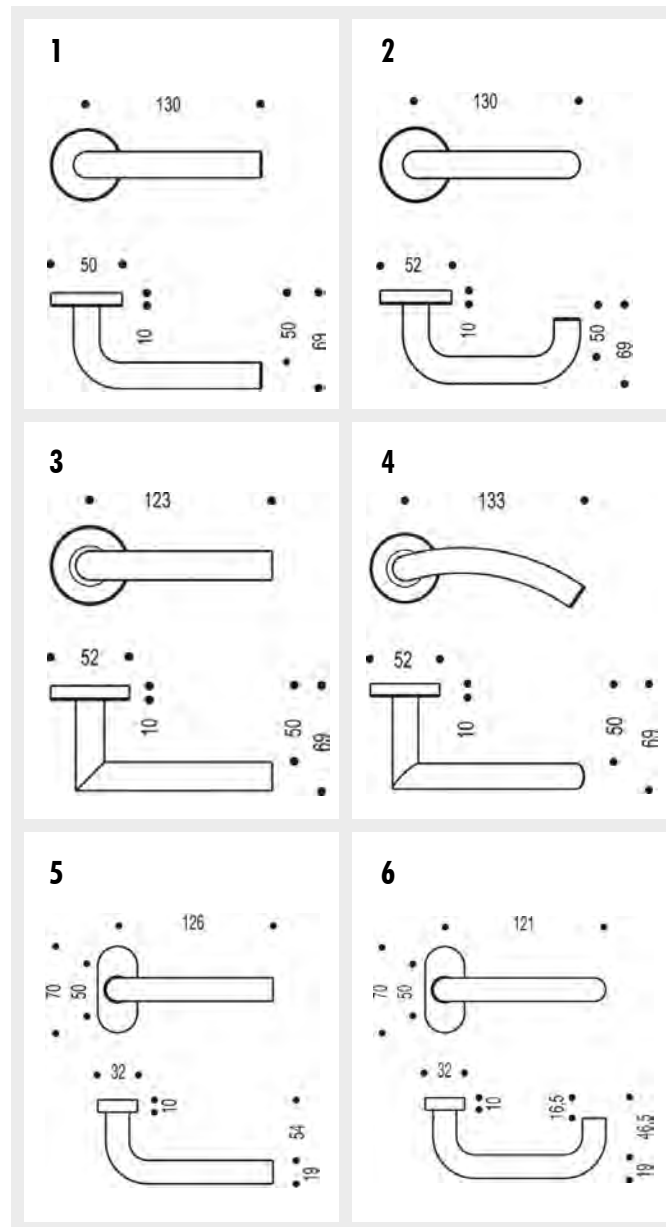
LEVER HANDLE SETS ON ROSES



1. Ref. 491/6450
2. Ref. 492/6450
3. Ref. 493/6450
4. Ref. 494/6450

Functions

- For passage lock
- For euro cylinder
- For privacy
- For privacy with indicator



LEVER HANDLE SETS ON OVAL ROSES

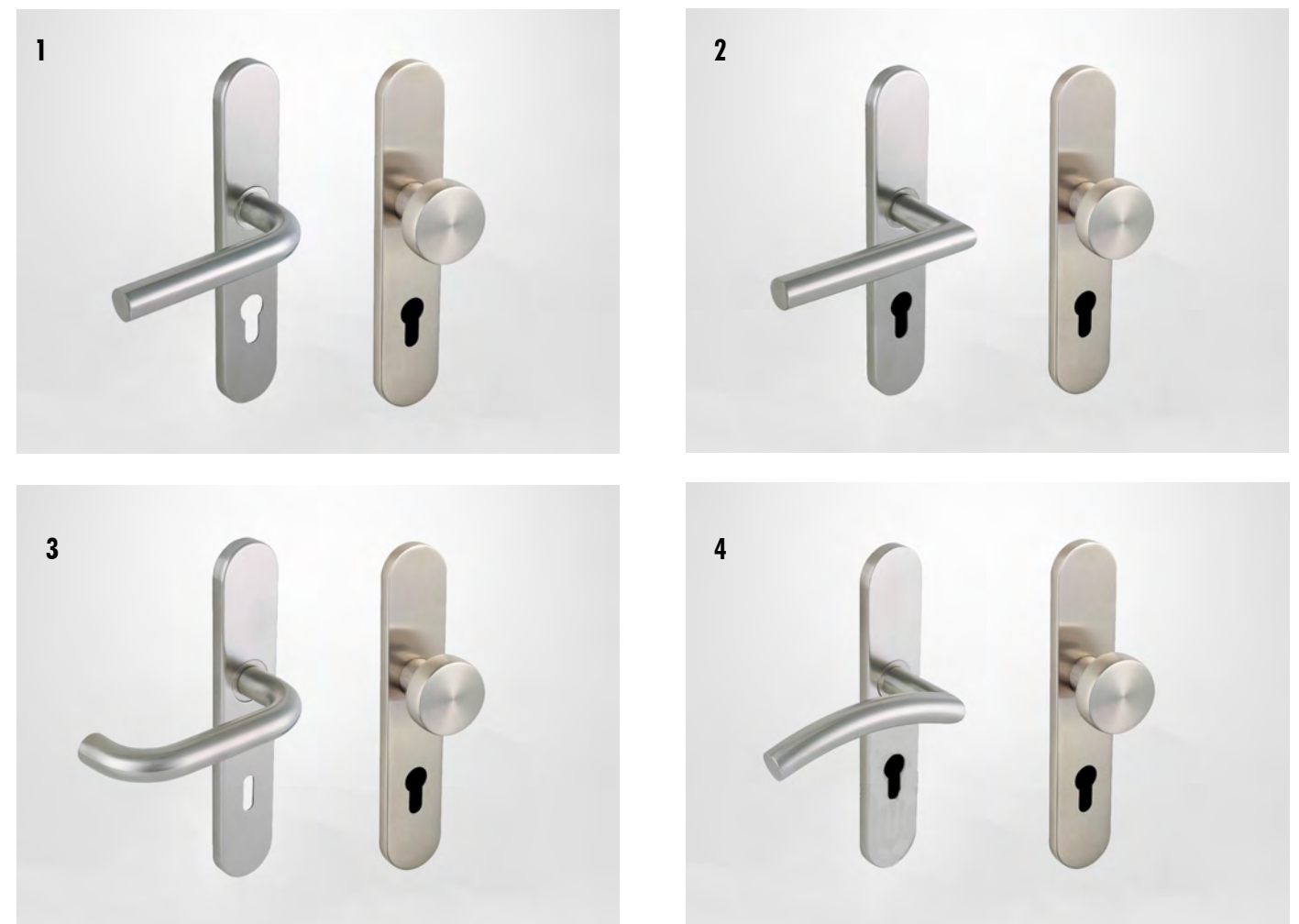


5. Ref. 491/6450
6. Ref. 492/6450

Functions

- For passage lock
- For euro cylinder
- For privacy
- For privacy with Indicator

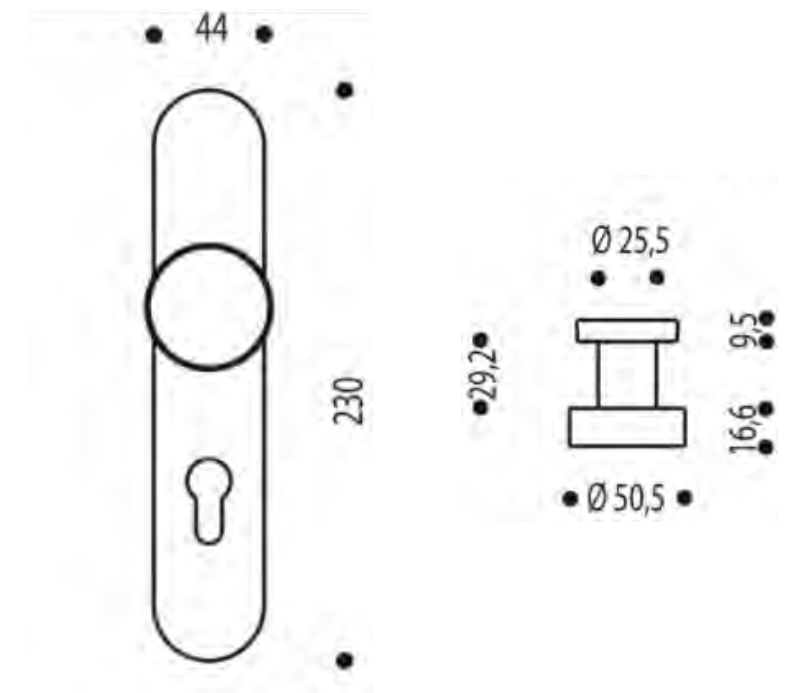
FIXED KNOB + INSIDE LEVER ON LONG PLATES



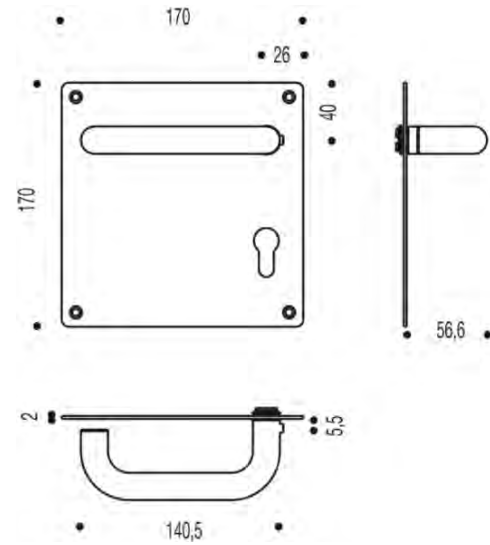
1. Ref. 30/491/6327
2. Ref. 30/492/6327
3. Ref. 30/493/6237
4. Ref. 30/494/6237

Functions

- For passage lock
- For euro cylinder
- For privacy
- For privacy with Indicator



LEVER HANDLE SET ON SQUARE PLATES



Ref. 492/6351

LEVER HANDLE MODEL 942 SIZE SELECTION



Model 942 lever handle is offered in different sizes for both long plates and roses.

Long Plates

- 130 mm - Ref. 492/6327
- 175 mm - Ref. 492XL/175/6327
- 240 mm - Ref. 492XL/240/6327
- 320 mm - Ref. 492XXL/6327

Roses

- 130 mm - Ref. 492/6450
- 175 mm - Ref. 492XL/175/6450
- 240 mm - Ref. 492XL/240/6450
- 320 mm - Ref. 492XXL/6450

SECUMAX UP

Secumax range offers universal security level handle set for renovation.

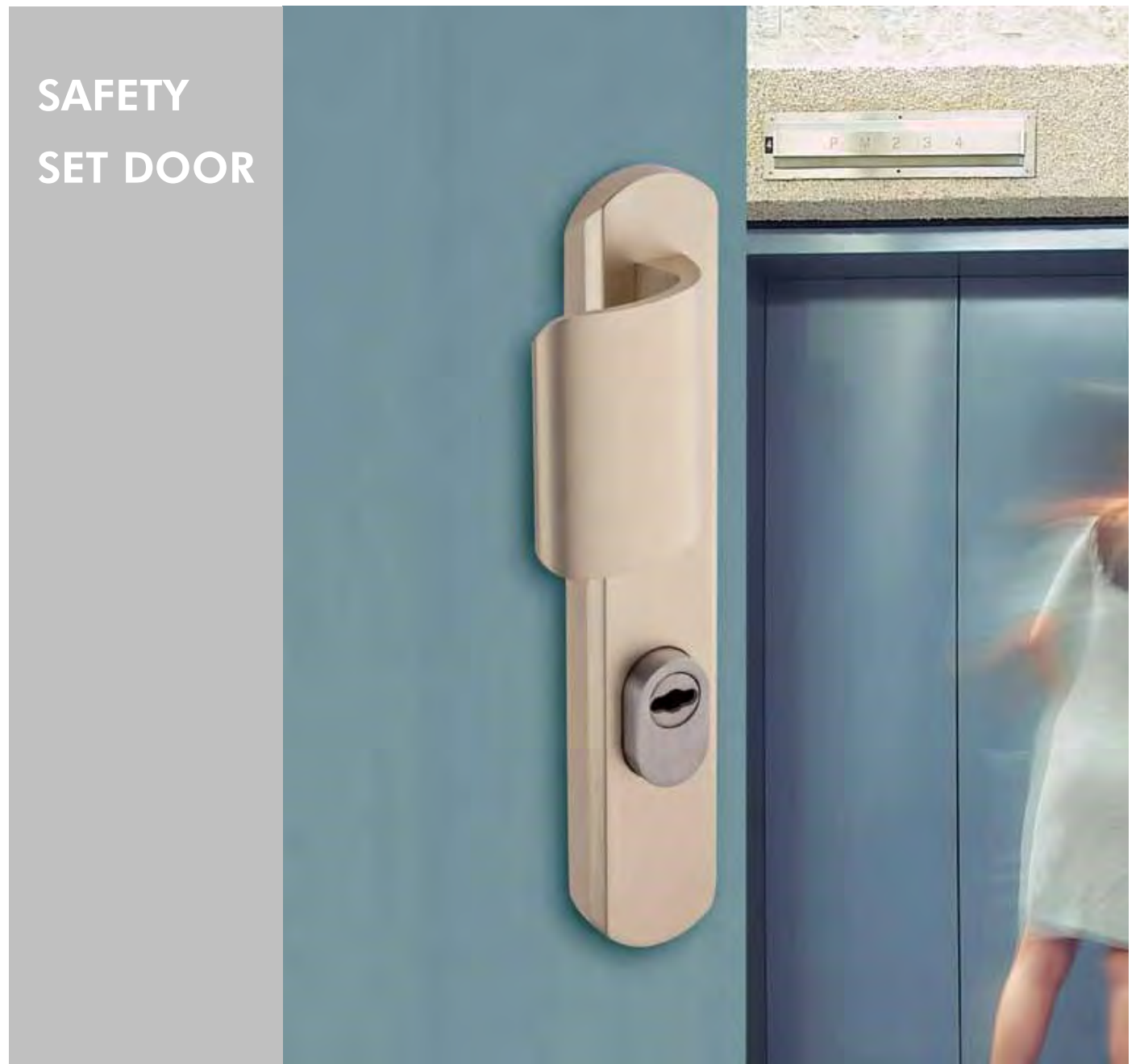
Available in three finishes:

- Natural anodized
- Champagne anodized
- Brushed stainless steel

Lever handles on roses (Ø 52 mm)

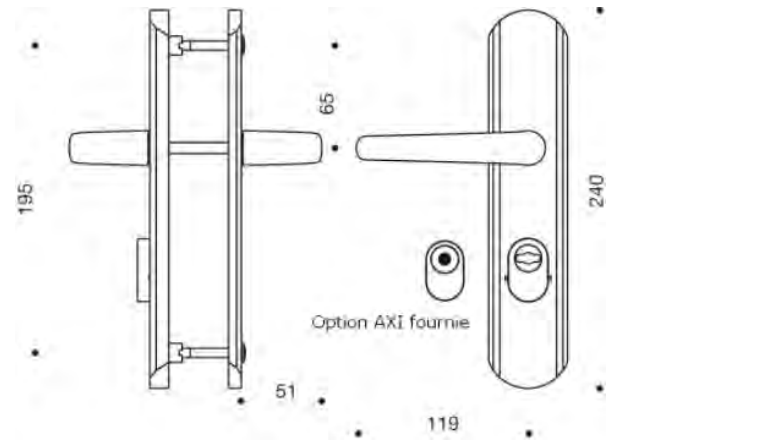
- Also available Fixed knob + inside lever

SAFETY
SET DOOR



SECUMAX UP PRODUCTS

LEVER HANDLE SET ON LONG PLATES



Wide Plate - Ref. 1338L/6349

Narrow Plate

Escutcheon thickness 8 mm - Fixing centers 92 mm - Door thickness 58 to 68 mm - Ref 1338L/6359

Escutcheon thickness 7 mm - Fixing centers 70 mm - Door Thickness 38 to 48 mm

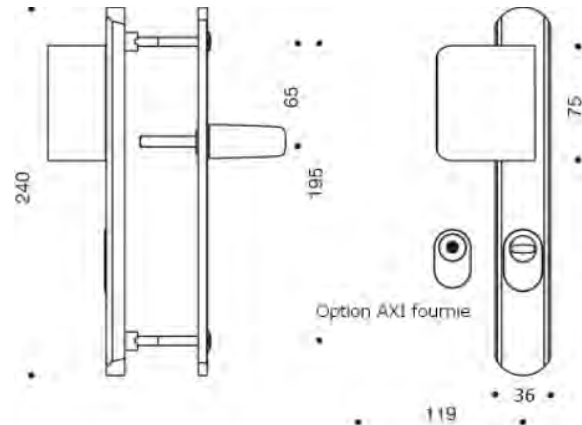
Ref. 338L/6359

Functions

- For passage lock
- For euro cylinder
- For privacy
- For privacy with Indicator



FIXED KNOB + INSIDE LEVER HANDLE ON LONG PLATES



Wide Plate - Ref. 534/1338L/6349

Narrow Plate

Escutcheon thickness 8 mm - Fixing centers 92 mm - Door thickness 58 to 68 mm
Ref. 534/1338L/6359

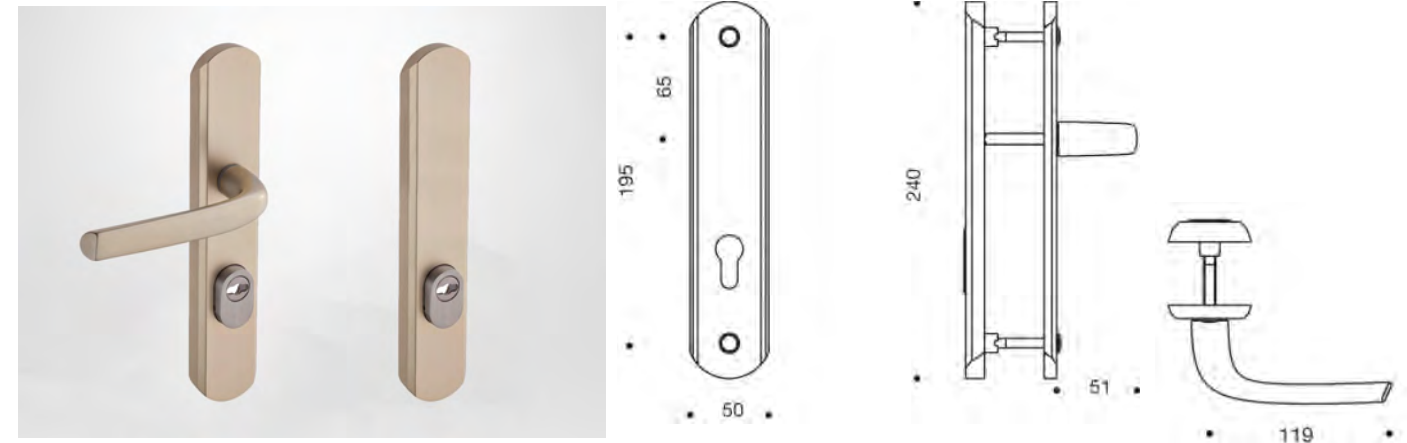
Escutcheon thickness 7 mm - Fixing centers 70 mm - Door Thickness 38 to 48 mm

Ref. 534/1338L/6359

Functions

- For euro cylinder

BLINDED PLATE + INSIDE LEVER ON LONG PLATES



Wide Plate - Ref. 1338L/6349

Narrow Plate

Escutcheon thickness 8 mm - Fixing centers 92 mm - Door thickness 58 to 68 mm - Ref 1338L/6359

Escutcheon thickness 7 mm - Fixing centers 70 mm - Door Thickness 38 to 48 mm - Ref. 338L/6359

Functions

- For passage lock
- For euro cylinder
- For privacy
- For privacy with Indicator

5MM PLATE FOR PLATE 6349 EXTENSION



Ref. 6349 REH EXT



CONTENT PAGE

WHAT IS MIWA?	4
WHY CHOOSE MIWA?	5
MIWA OFFLINE SYSTEM (ALV2) CATALOGUE	5
ALV2	5
WHY RFID?	6
BASIC FUNCTION OF ALV2 SYSTEM LOCK	7
MIWA OFFLINE SYSTEM PRODUCT RANGE	8
ALV2-P SERIES	9
ALV2-SLIM SERIES	14
MIWA MECHANICAL LOCK CATALOGUE	16
WORKING PARTS OF A LOCK	17
MIWA CYLINDER TYPES	18
PR CYLINDER	18
U9 CYLINDER	20
LEVER HANDLE AND PULL PLATES DESIGN	22
COMMERCIAL RANGE	22
RESIDENTIAL RANGE	24
LEVER HANDLE LOCK	27
MIWA ELECTRIC LOCKS CATALOGUE	29
ELECTRIC LOCK SYSTEM APPLICATION	30



PRODUCT CATALOGUE





WHAT IS MIWA?

MIWA is a true lock maker who manufacture and control quality for every aspect of every lock, from start to finish. Our emphasis on research and development ensures you of the most advanced technology and materials. Headquartered in Tokyo, Japan, MIWA is a family-owned company comprised of 1,562 employees who are dedicated to your security needs.

Since 1945, MIWA Lock Company, Ltd. has grown to become Japan's foremost provider of high-performance locks and security systems. From the first offline electronic hotel locking system, to today's flagship product, MIWA sets the global standard for programmable lock technology. Our reputation for quality and reliability has made us the choice of leading hotel chains around the world.

WHY CHOOSE MIWA?

Having projects in over 6 countries worldwide, MIWA has positioned themselves as global leaders in providing the Tourism and Hospitality Industry with reliable and innovative Locking Systems.

1. High Security Software

- Encrypted key data with MIWA's unique algorithm
- Special card with hotel code is needed for first security handshake
- No worry to be hacked from lock bottom plug

2. Superb Mechanical Construction

- Extra smooth operation
- Low noise
- High durability. The ALV2 Series has a dual hub for superior durability, with separate HUB and individual spring.

3. Advanced technology

ANSI Certified, Grade 1 and passed the UL and BSEN fire test certification

4. Environmental friendly

We are working to prevent global warming in all stages of our operations, by aiming for longer product life in the development step, and improving the product cycle, both of which will reduce CO2 emissions. We have put forth a 30% reductions target, and are promoting the concept of reduce, reuse, and recycle. Additionally, legally mandated levels for BOD and COD in waste water are 120mg/l ; however we have achieved 10mg/l, and we are striving to reach 8mg/l. Activities such as these have been recognized by our receiving ISO14001 environmental management certification.

MIWA OFFLINE SYSTEM (ALV2) CATALOGUE

 MIWA
ALV2



ALV2 is the latest in a long line of electronic locking solutions from Miwa Lock and is designed specifically for today's busy hospitality industry. Using the latest in Radio Frequency Identification (RFID) technology the new locking system is attractive yet durable and easy for guests and staff to use.

The thirty plus years of experience are easy to detect when looking at this system. A hotel lock in today's world is no longer just a means for closing the guest room door but an important part in the overall running of a busy hotel. As the only piece of technology in your property that the guest has to use multiple times it is vitally important that it does its job effectively every time, without fail.

The mechanics and electronics of this lock are second to none having passed the prestigious ANSI 156.25 grade 1 electronic lock test, this also takes in the electronics too. The system has been designed to make it easy for your staff to use yet still have the features you need to run your hotel safely and securely.

WHY RFID?

RFID or Radio Frequency Identification gives the ALV2 locks the ability of reading and writing to the guest and staff cards without them touching the lock. Simply place the card within half an inch of the reader and the lock will open. This technology has several advantages over existing magnetic strip and smart card systems.

Ease of use

Without the need to insert or swipe the key card, guests of all ages will find the ALV2 lock more intuitive, the keycard can be offered to the lock from any direction.

Read and write

When a card is used to open a lock it can now be written to as well as read.

Guest cards - if a lock does not open when a guest card is used the reason for this is written on the card. This can be read by the staff in the hotel and problem can be immediately rectified.

Staff cards - Various information is added to the staff card every time it used to open a lock. This would include the room and time the lock was opened as well as the status of the batteries in each location.

Master key structure

With the use of RFID cards the master key structure for your staff can be configured to match your operating requirements. Each staff member can be issued a card that only gives them access to areas that their job demands. Should the need arise these can be changed on an individual basis, by you without the need to reprogram any of the locks.



Batteries

ALV2 uses just four standard alkaline batteries. The ALV2 lock has three ways to warn your staff of when lock batteries are low. First, the green light will flash when a staff card is used in the lock. If this is not sufficient, the lock can be programmed to make beep in the same situation. Furthermore, each time a staff member opens a lock, data is written onto their card. At the end of each day, the data can be read and provide you information on any locks that have low batteries. ALV2 is designed to interface to both PMS and POS solutions, using RS232 or TCP/IP key data can be automatically sent to the Miwa system making the check in procedure more efficient and eliminating key stroke errors.

Interfacing

ALV2 is designed to interface to both PMS and POS solutions, using RS232 or TCP/IP key data can be automatically sent to the Miwa system making the check in procedure more efficient and eliminating key stroke errors.

Other Systems

Miwa has a flexible software which allows user to share the cards used with ALV2 with other systems in your property. These could include systems such as time and attendance or even other access control systems.

Auditable Security

ALV2 can be audited from every angle. The system has been designed to enable your security and operations personnel complete control over the access to your property. The front desk system can be audited to see who has made staff or guest keys in the last 600 transactions and the staff keys also hold data on the last 140 locks they have been used in.

Other Systems

Whether your property is large or small the cost of a new locking system is still substantial. At Miwa we take this very seriously thus we build systems that last. We also realize that technology changes and advances, hence we have built a new system that can be used to upgrade our existing AL5H locks without the need to replace everything. The new ALV2 P type front escutcheons retro fit directly onto the existing lock case.



Card Control

As with all previous Miwa systems, new guest cards cancel old guest cards and each staff card can be cancelled should it become lost or stolen.

Key Types

Unlike magnetic cards, ALV2 offers several different options for keys as the proximity chip can be installed into several different forms. For example we are able to offer wrist bands for guests; these are worn and are useful in resort hotels where carrying a card is not always easy. Key fobs are also available which can be added to standard key rings or attached by a cord to the staff member's uniform.

BASIC FUNCTION OF ALV2 SYSTEM LOCK

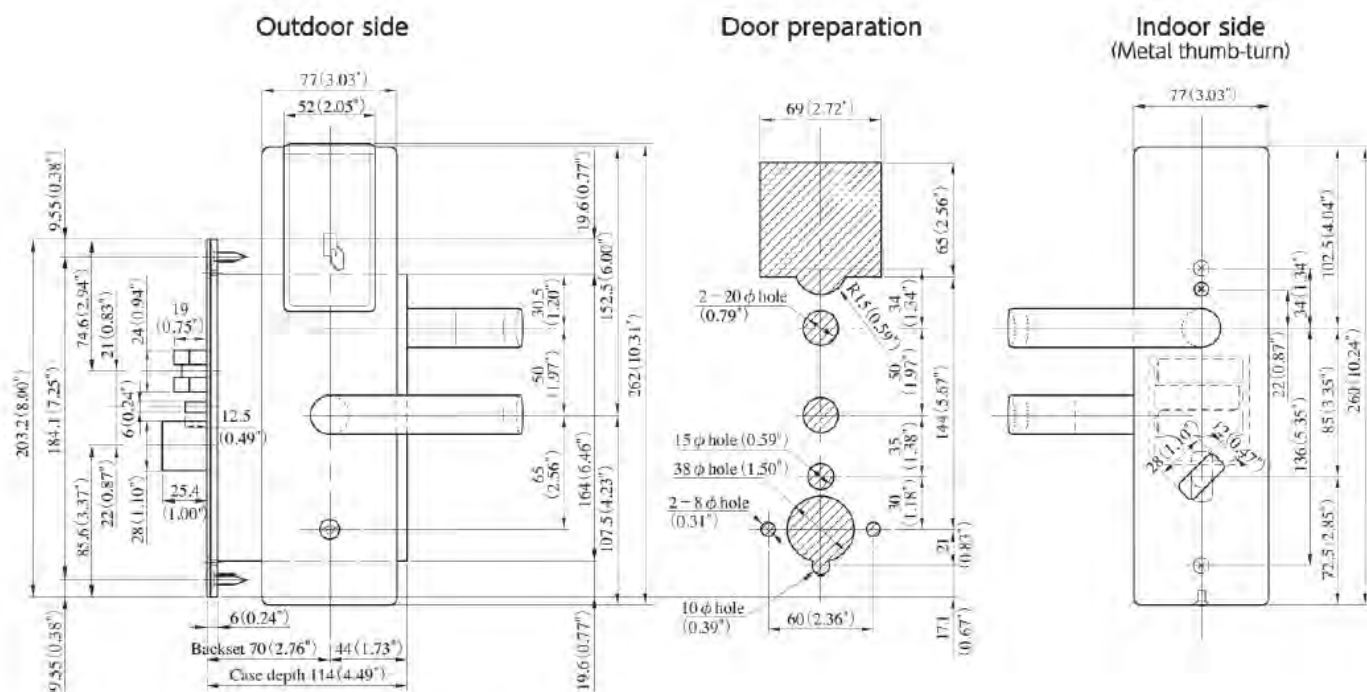
Reader Technology	RFID (Compatible with Near Field Communication (NFC))
Available Card	ISO 1443 (RFID) Type-A Mifare Standard (Classic) 4KB/1KB Miifare Ultralight 64B
Standard Handles	4 types
Escutcheon design	2 types
Finishes	5 finishes
Power Supply	4 AA Alkaline batteries
Interrogation logs (Audit trail lock events)	600 events (can be downloaded by DTU or IR card)
Mechanical key override	Optional (Can be recorded in interrogation logs)

Software

OS	Windows 7 Professional 32Bit
Auto backup function	Available
Staff ID	Up to 500 ID
Card encoder	Up to 30 encoders can be connected to one PC
PMS Interface/POS Interface	Available

MIWA OFFLINE SYSTEM PRODUCT RANGE

ALV2-P SERIES

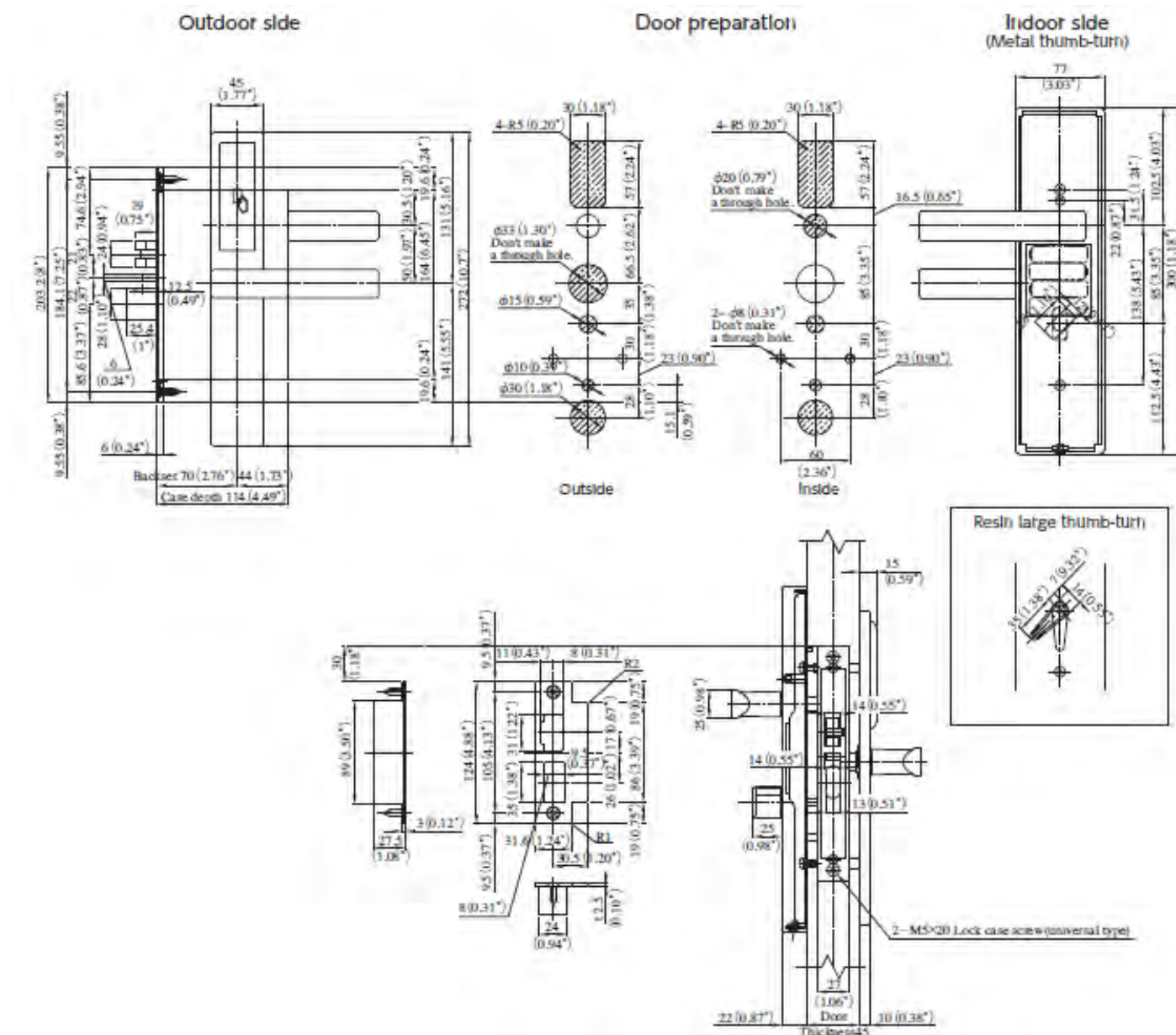


FEATURES AND SPECIFICATION

- Compatible with ALV2 system software.
- RFID Mifare Classic (ISO 1443 Type A) guest 1K & UL, staff 4K.
- NFC equipped for use with mobile devices.
- PMS and POS interface ready.
- Sealed electronics suitable for interior and exterior applications.
- ADA compliant levers and thumb-turn.
- UL fire listed up to 3 hours.
- FCC and CE certified compliant.
- Suitable for guest rooms, staff areas and common doors.
- 600 event's on lock audit
- Visual LED (green, red & yellow) with optional audible signal.
- 140 event's on staff credentials (keycard, fob, wrist band).
- Staff credentials have day-of-week and time-of-day programming.
- IrDA wireless programming—no cable connection or port on lock.
- Emergency card overrides deadbolt in use.
- Standard warranty three years, extended warranty plans available

PRODUCT DESCRIPTION

Product Name	ALV2-P
Product Number	Without cylinder
Mountable Handles	66 67 74 476 478
Cylinders (optional)	U9
Material / Finish	Satin Stainless Steel (grade 304) Polished Stainless Steel (grade 304) Satin Brass Polished Brass Mild Bronze
Power Supply	4-AA alkaline batteries, normal battery life two years
Door Thickness	1.38" to 2.17" (35mm to 55mm)
Backset	2-3/4' (70mm)
Lock Options	ANSI 156.25-2007 & ANSI 156.13-2005 certified compliant Anti-panic function - deadbolt and latch retract automatically Automatic deadbolt optional
Handing	Factory handed: left, right, left reverse, right reverse
Weight	Approx. 10 lbs.
Environmental Conditions	Operating temperature 32°F to 104°F (0°C to 40°C) Range of humidity: 35% to 85% RH IP44 certified compliant



FEATURES

Guest Room Lock

- ANSI Grade 1 (ANSI 156.25) electronic lock. UL tested and stamped.
- Full mortise with 1 inch deadbolt, 3/4 inch latch and anti pick mechanism.
- Dual technology works with RFID Mifare standard 1k and 4k Mifare credentials.
- Each guest card has the option to add up to 6 additional guest rooms, plus all common areas and special VIP areas.
- Guest cards can be programmed to open an individual lock or multiple locks within a property.
- System allows the option for guests and staff to use, cards, key fobs or wrist bands.
- Guest and standard staff cards cannot override deadbolt, visual signal given (flashing red light) if deadbolt in use. Emergency card overrides all locks where deadbolt is in use.
- Infra red programming and interrogation, no cable connection or data port on the lock.
- Last 600 transaction audit memory in the lock, last 140 transaction audit memory stored on all staff cards.
- ADA compliant levers and thumb-turn.
- Visual and audible low battery signal on staff cards only.
- Staff cards can be timed and set to operate on chosen days of the week.

Common areas, storage, offices, meeting rooms, non-guest rooms

- Locks can be programmed as common doors and non-guest doors.
- Locks can be programmed so guest cards can only work between set times.
- Locks can be programmed to automatically open between pre-determined times.
- Electronics are coated for exterior installation.
- Exterior steel and aluminum gate boxes are available.

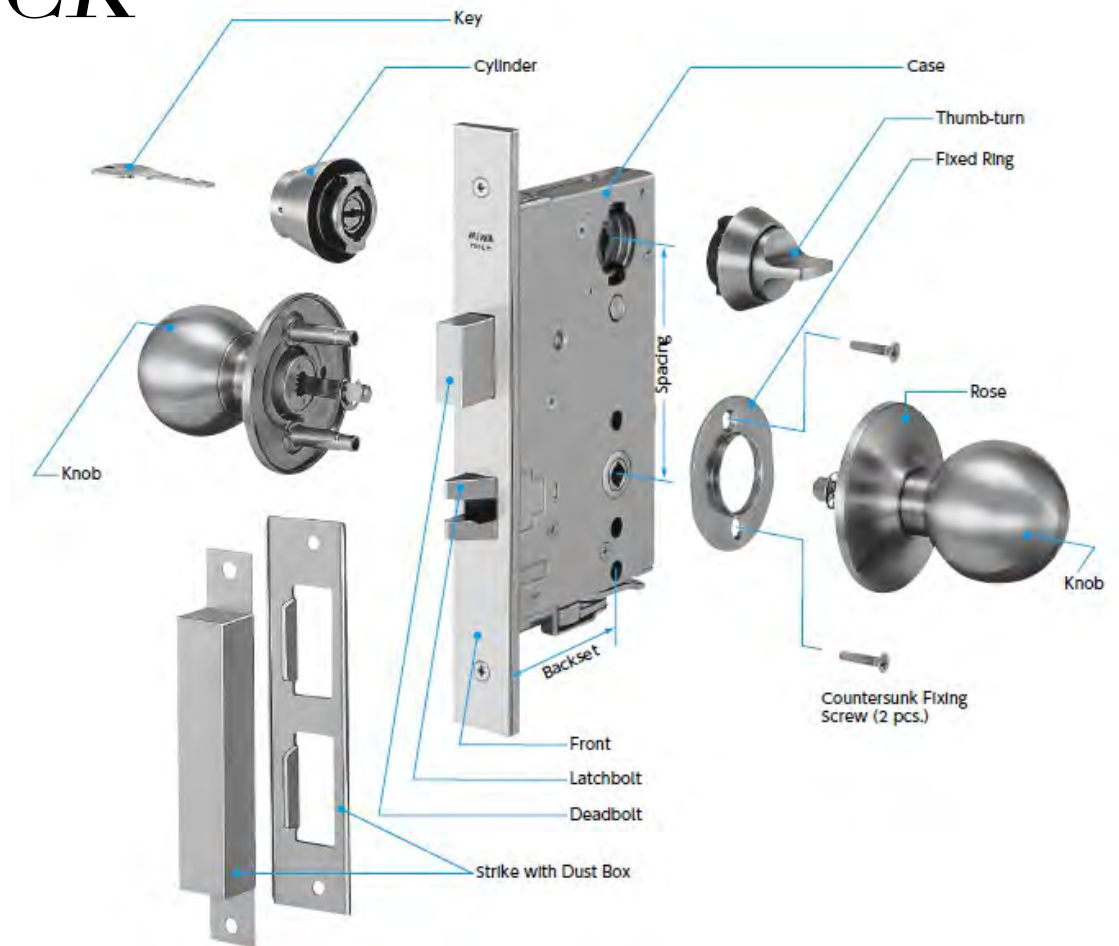
PRODUCT DESCRIPTION

Product Name	Hotel Card Lock
Product Num-	Without cylinder
Mountable Handles	66 67 74 476 478
Cylinders (optional)	U9
Material / Finish	Satin Stainless Steel (grade 304)
	Polished Stainless Steel (grade 304)
	Satin Brass
	Polished Brass
	Mild Bronze
Power Supply	4-AA alkaline batteries, normal battery life two years
Door Thickness	1.38" to 2.56" (35mm to 65mm)
Backset	2-3/4' (70mm)

MIWA MECHANICAL LOCKS CATALOGUE



WORKING PARTS OF A LOCK



Thumb-turn	On the inside of a door equipped with cylinder lock, connected to lock cam. Operates deadbolt.
Knob	Serves as handle, operates latchbolt.
Front	This is the surface of the mortice lock case which appears at the cut end of the door. It includes openings for latch bolt and deadbolt as well as holes for screws which secure it. A lock bolt which is activated by key or thumb-turn, is square on all edges, and has no spring behind.
Deadbolt	A lock bolt which is activated by key or thumb-turn, is square on all edges, and has no spring behind it.
Latchbolt	That part of a lock which, because of a spring device behind it, slides in and then springs out to hold a door in position when it is closed.
Strike	The plate recessed into the door jamb, into which deadbolt or latchbolt fits when the door is closed or locked.
Case	Contains major lock components; the mortise type fits into the door and the rim type is fastened to the surface of the door.
Cylinder	A removable unit on high-grade locks which contains the tumblers and receives only the correct key, which when turned operates the lock.
Backset	Horizontal distance from front surface of lock to the center of knob or cylinder.
Spacing	Vertical distance between the center of cylinder and the center of knob.

CYLINDER TYPES

PR CYLINDER

FOR HOUSING COMPLEX (TWO-WAY ROTARY CYLINDER, REVERSIBLE KEY TYPE)



FEATURES

- **A two-way rotary tumbler cylinder with high security**
The PR Cylinder has a 2-way construction consisting of main and side tumblers whose contact surfaces are different, giving 100 billion possible number of key combination.
- **Enormous number of key combination**
Eleven tumblers in eleven chambers, whose main and side tumblers are positioned at four-level and two-level respectively, give the lock 100 billion possible number of key combination.
- **Superior durability**
Like the U9 Cylinder, PR has extreme dust-proof and wear resistance.
- **High security**
The cylinder is extremely difficult to pick because the locking bar does not rotate

until all tumblers are aligned at the same time and the anti-picking structure has a complicated shape. Also PR is highly resistant to drilling due to the use of extremely hard parts in the cylinder.

- **Available key systems**
 - ⇒ Master-keying system
 - ⇒ Keyed-alike system
 - ⇒ Grand master-keying system
 - ⇒ Construction keying system
 - ⇒ Multi-master-keying system
 - ⇒ Double construction keying system
 - ⇒ Common keying system
- **Square Cylinder available.**
Square Cylinder is also available. Specifications differ from those for a standard cylinder.

Without the key inserted

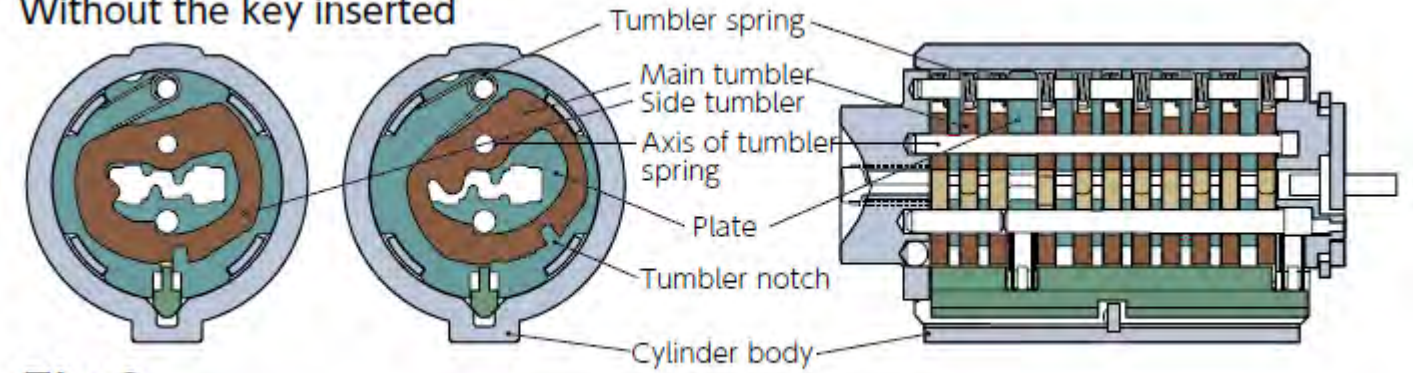
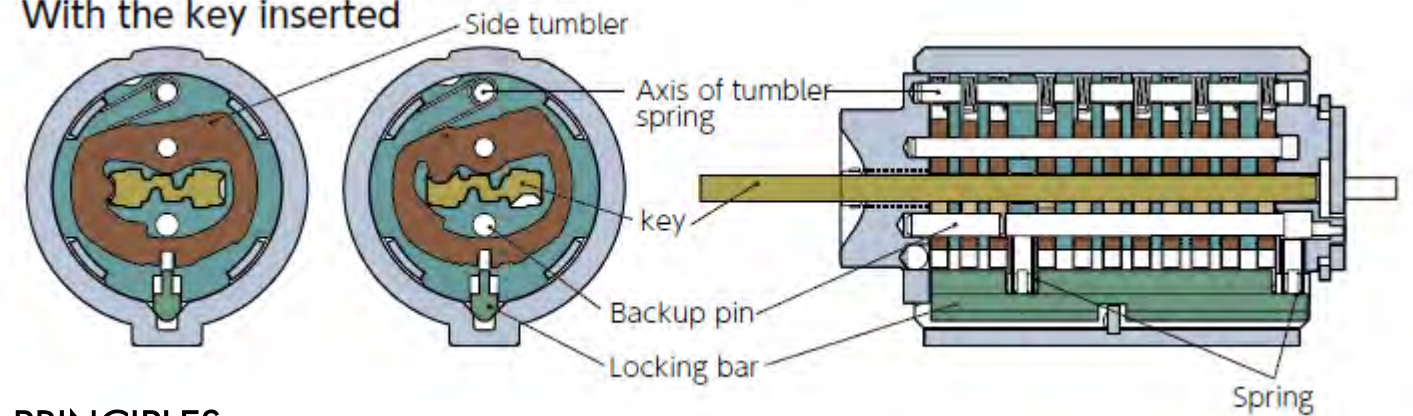


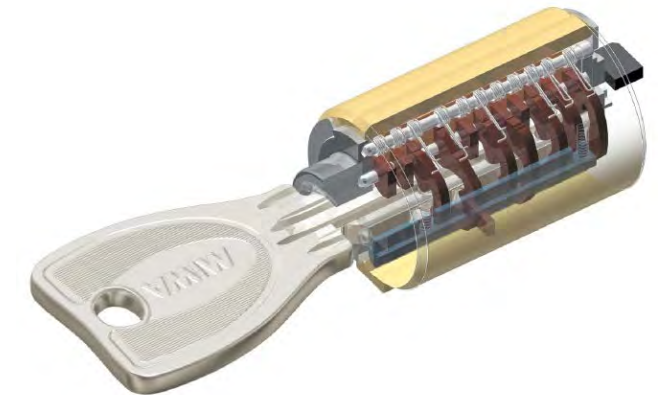
Fig.2

With the key inserted



PRINCIPLES

1. As shown in the figure above, without the key inserted, the locking bar is pushed by a spring into a groove on the cylinder body. Also, the tumblers are pushed by tumbler springs. In this condition, the cylinder plug is impeded by the tumblers (because the tumbler notch is not above the locking bar); therefore, it is impossible for the locking bar to rise, and it is impossible to turn the cylinder.



2. When a standard change key is inserted, the tumblers are pushed in by the key cuts and rotation occurs until the notch lines up with the top of the locking bar. In this condition, the taper of the groove and locking bar works against the spring, and the locking bar is pushed up, making it possible to turn the cylinder plug.

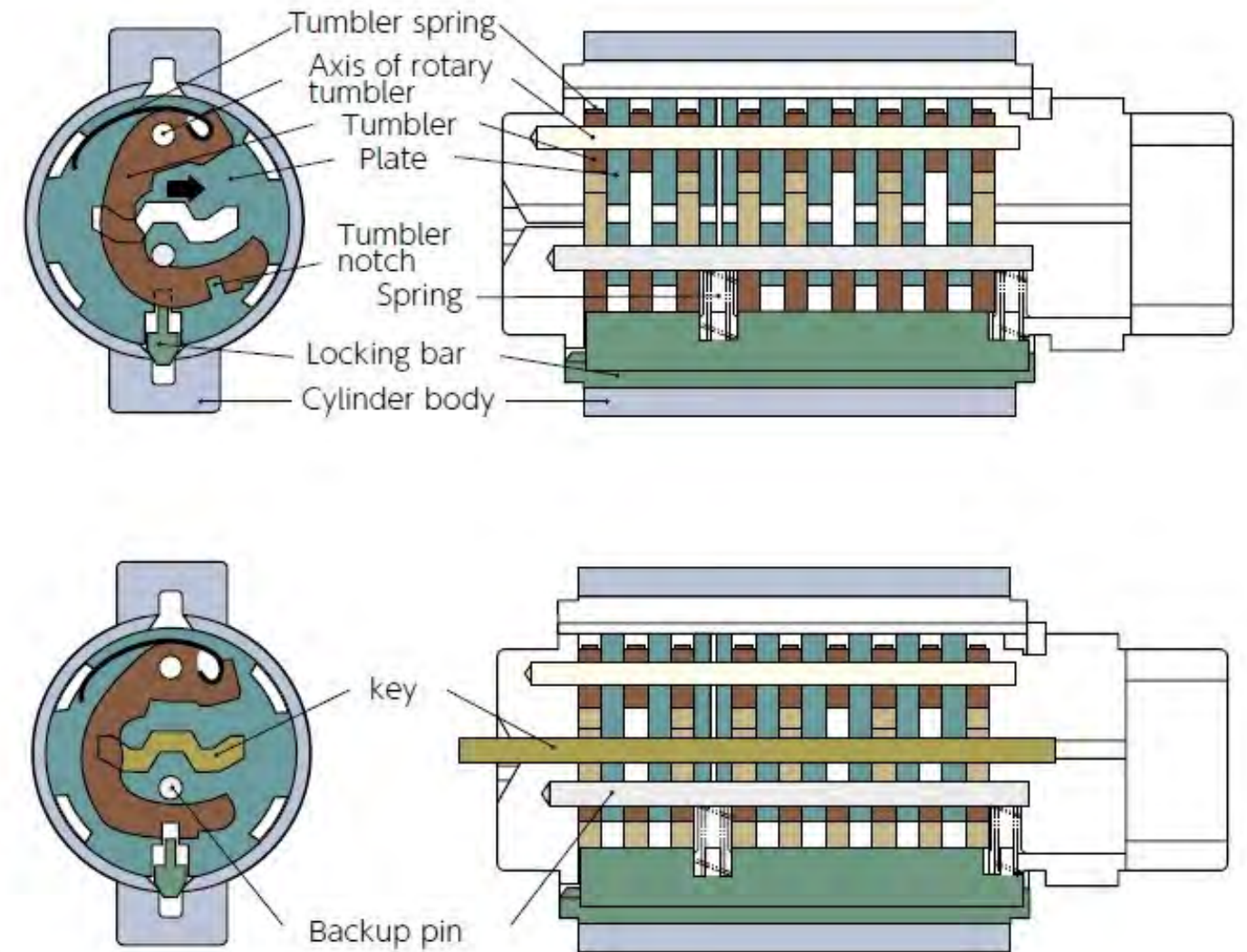
U9 CYLINDER

(ROTARY CYLINDER)



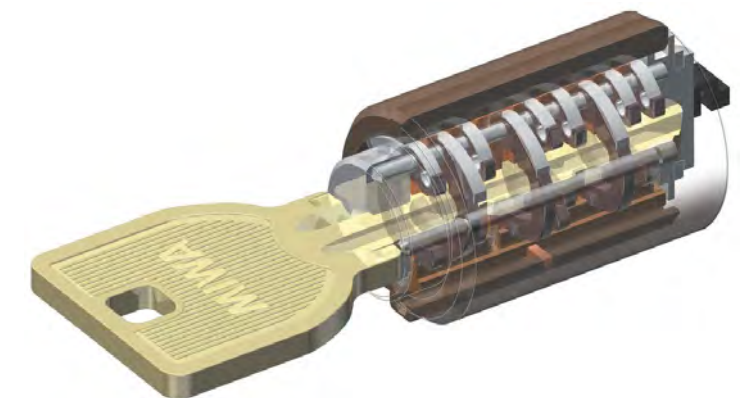
FEATURES

- **Good for large and Complicated Keying**
With nine tumblers positioned four-deep in nine double-sided chambers, this lock boasts 150,994,944 possible number of key combination.
- **Superior Durability**
Cylinder life is extended by the use of phosphor bronze, which is extremely wear-resistant.
- **High Security**
In addition to having ultra-safe rotary tumblers, the U9 features nine four-deep tumblers, making it extremely difficult to pick.
- **Available key systems**
 - ⇒ Master-keying system
 - ⇒ Grand master-keying system
 - ⇒ Great grand master keying system
 - ⇒ Multi-master-keying system
 - ⇒ Common keying system
 - ⇒ Keyed-alike system
 - ⇒ Construction keying system
 - ⇒ Display keying-emergency keying system



PRINCIPLES

1. Locking bar stays in V groove of cylinder body and prevents rotation of plug when locked.
2. Tumbler notches line up and give room for in-and-out movement of locking bar with change key insertion. Then locking bar is retracted by plug rotation according to slope-contacts between locking bar and cylinder body.



LEVER HANDLE AND PULL PLATES DESIGN

COMMERCIAL RANGE

TYPE 50



Stainless steel satin (ST)



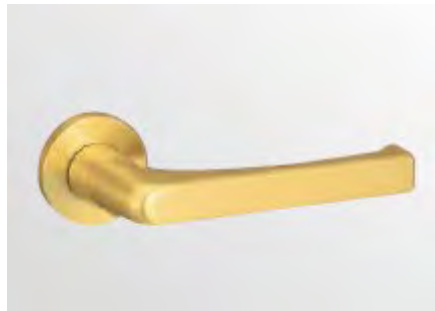
Stainless steel polished (SB)



Stainless steel (CB)



Stainless steel (CD)



Brass satin (BS)



Brass polished (YB)

TYPE 51



Stainless steel satin (ST)



Stainless steel polished (SB)



Stainless steel (CB)



Stainless steel (CD)

TYPE 52



Stainless steel satin (ST)



Stainless steel Polished (SB)



Stainless steel (CB)



Stainless steel (CD)

TYPE 66



Stainless steel satin (ST)



Stainless steel polished (SB)



Stainless steel (CB)



Stainless steel (CD)



Brass satin (BS)



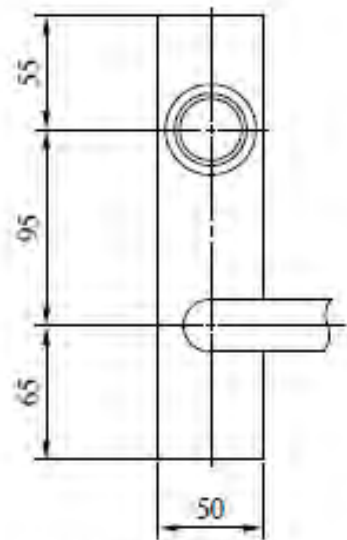
Brass polished (YB)

TYPE ELH11 (THIS MODEL SHOWS ONLY THE ESCUTCHEON. PLEASE NOTE CYLINDER, LEVER HANDLES ARE NOT INCLUDED.)

Indoor side (locking)



Stainless steel • Satin(ST)



Thickness:ELH11=8mm

TYPE U9LHS50-1 (R=ELH11)



Stainless steel • Satin(ST)



Stainless steel • Polished(SB)



Stainless steel (CB)



Stainless steel (CD)



Stainless steel • Polished(SB)

TYPE ELH19,20 (THIS MODEL SHOWS ONLY THE ESCUTCHEON. PLEASE NOTE CYLINDER, LEVER HANDLES ARE NOT INCLUDED.)



Stainless steel • Satin(ST)

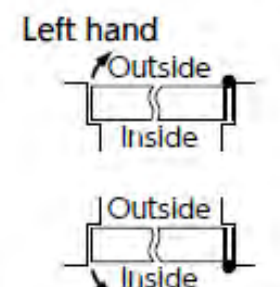


Stainless steel • Satin(ST)

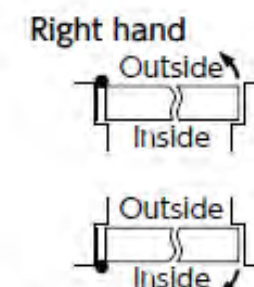


Stainless steel • Polished(SB)

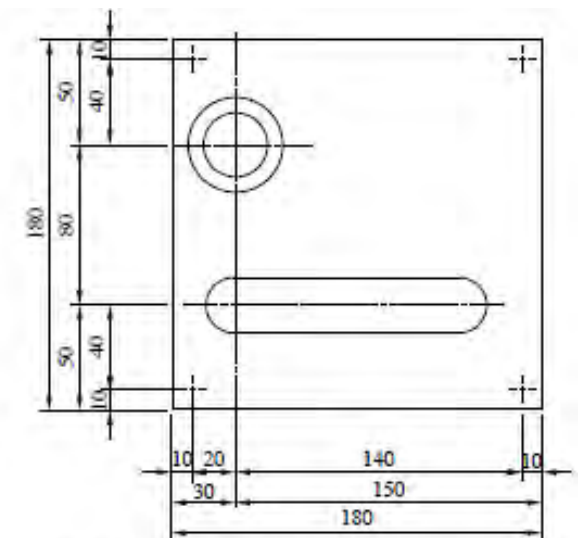
● How to determine whether to use a left hand or right hand handle in ELA19,20 types.



(Outside is to the left of the door end)



(Outside is to the right of the door end)



Thickness: ELA19=4mm
ELA20=2mm

This drawing shows a right hand.



LEVER HANDLE LOCKS



EASY TO OPERATE, SECURE LEVER HANDLE MORTISE LOCKS.

APPLICATIONS: ENTRYWAYS, OFFICES, HOSPITAL, PARTITIONS, OTHERS

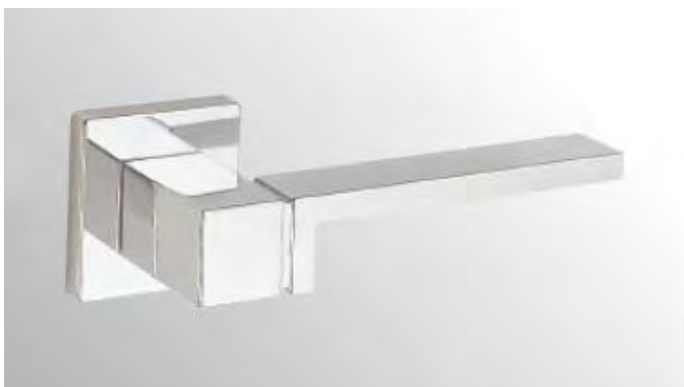
RESIDENTIAL RANGE



TYPE 902



TYPE 942



TYPE 948



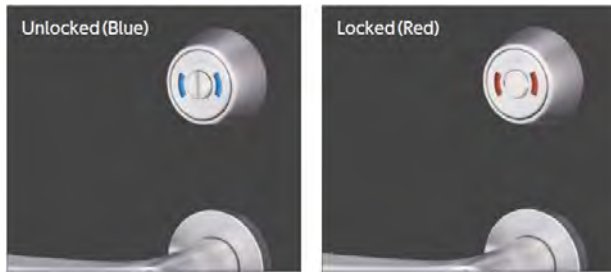
TYPE 957

- **Strong, durable lever handle locks**
In addition to easy to operate lever handle locks, the LA series provides the same outstanding strength and durability as the MA series.
- **A wide variety of lever handle types**
A wide range of lever handles is available in aluminium alloy, stainless steel and cast brass. Lever handles made of aluminum alloy and stainless steel can be coloured.
- **A wide variety of escutcheons also available**
- **Easy installation of lever handles with no play**
Installation of lever handles is easy and the design assures almost no play between the lever, lever shaft and case.
- **Single-side handle type: LA* -□H**

- This model is used when a handle is installed on one side only and is suitable for steel doors only. Both left hand and right hand models are available. Please specify door hand when placing order.
- **Automatic locking type: LAT* -2A**
The door locks automatically (backset: 51 and 64 mm only).
Note that the dimensions of the case depth and washers are different from those of LA* Lever handle types 40, 41, 63, 65 and 67 are not mountable. For type 66, only the washer type is mountable.
- **Large-size AH thumb-turn also available**
- **Please use DA series as an auxiliary lock, the same key operation as LA series.**

- Emergency opening device and indicator:

LA * -8



Since this model has a red indicator showing that the room is occupied and an emergency opening device that allows you to unlock the door from the outside using a coin, it is suitable for bathrooms, powder rooms, and other such applications.

- Dummy cylinder Type LA.DY

A dummy cylinder can be covered existing cylinder – thumbturn hole.



- L-front plate to guard the attack on the deadbolt



A front plate with a guard function that protects the deadbolt. It hides the deadbolt from the outside, preventing a direct attack on the deadbolt.

- Water prevention type



This lock has water prevention function to prevent flooding in the room. Water prevention parts are attached with inside lever handle and thumb-turn.

Please contact us for more details.

Note1: Door thickness is limited to 40mm and lever handle design is only 50 type ST finish.

Note2: Water prevention capability depends on the performance of the door.

- X-ray shielding type LA * -□X

Using lead-containing liner to reduce X-ray leakage from the cut-out of the door. Suitable to use at the X-ray room.

(Only the back set 51mm or more) can not be used the lever handle 65 type.

- Single-sided fixed handle or blank rose used for single-sided handle is also available.

Type : LO · BR1 (single-sided fixed handle)

LO · BR2 (single-sided handle)



LEVER HANDLE LOCKS WITH EMERGENCY DEVICE

APPLICATIONS: INTERIOR DOOR, OTHERS.

- Case Lock Type Mortise Locks**
Rose limited to separate type only.
- Lever Handle**
Type 901, 902, 903, 980, 981, 983, 945, 946, 947, 951, 952, 953, 954, 957, 960, 961, 963, 964, 966 and 970 lever handles may be used.
- Passage latches** ZLC * 01, ZLC * 02
- Simple Lock** ZLC * 01-KY, ZLC * 02-KY
Specially suited to private rooms.
Note: Latchbolt is not fixed even when door is locked, so this product is not suited for use with entrance doors or other doors that are accessible from the outside.
- Anti lock-out function (PAT) is provided.**
A safety mechanism has been implemented, which will not lock a door even when it is closed after the thumb turn is turned to the locking position, thus eliminating a lockout accident. Resin is used in many parts of the case, contributing to a silent operation.

- Optional Parts**
Beveled front (with strike) - Type ZLCD * 01-□, ZLCD * 02-□
- Variations**
Available in two versions, one with an emergency opening device (designated—6) and another with both an emergency opening device and indicator (designated—8). Also, available with two different round roses, the standard round rose and the 02 round rose.
- Color Variation**
Die-cast zinc



Die-cast aluminium





EASY OPERATION

APPLICATIONS: PARTITIONS, SICKROOMS, OTHERS.

Operation of lever handle is simple and the design assures that there is almost no play between lever and shaft, or between shaft and case.

- **A wide variety of lever handle types**
A wide range of lever handles is available in aluminum alloy, stainless steel and cast brass.
- **The lever handles on both sides of the door are fixed : LO*Z.**
Escutcheons are not available.
Models 40 and 41 are not available.

- **The lever handle on one side of the door is fixed : LO*-H.**
This model is used when it is desired to have a handle installed on one side of the door only. Both left hand and right hand models are available. This model is suitable for steel doors only.
- **Material and finishes**
Front strike:
18-8 Stainless steel (SUS304)
Satin finish
- **Specification**
Backset (mm) 31 · 38 · 51 · 64 · 76
Door thickness (mm) 25~33 · 33~42 · 42~50 · 50~58 · 58~66



THIS IS A STANDARD CASE LOCK

APPLICATIONS: ENTRYWAYS, OFFICES, OTHERS.

- **Outstanding at preventing unauthorized entry, and highly durable.**
Combines the outstanding strength and durability of a mortise lock with easy-to-handle size. It is especially effective for front entrances and offices, as well as a wide range of other uses.
- **Model MA*-6 (with emergency opening device)**
These models have an emergency opening device which allows the door to be opened from the outside with a coin in case of an emergency. This model is suitable for toilets, bathrooms, powder rooms, etc.
- **Model MA*-8 (with emergency opening device and indicator)**
These model indicate by means of red panel when the interior is occupied. In case of emergency you can unlock the

- **A flush-cup handle may be mounted in place of a knob.**
MAC*-□ for a single-side knob or flush-cup handle. MACC-□ for flush-cup handles on both sides. MACUC-□ for flush-cup handles on both sides. The MACUC model has flush-cup handles to prevent finger injuries.



- **Specification**
Backset (mm) 64 · 76 · 100
Spacing (mm) 80
Door thickness range (mm) 29~33 · 33~42 · 42~50 · 50~58 · 58~66

MIWA ELECTRIC LOCKS CATALOGUE



HM SERIES

THE HM MORTISE SERIES ARE KEY-IN-KNOB LOCKS WITH BUILT-IN DEAD-BOLT.

APPLICATIONS: ENTRYWAYS, OFFICES, WAREHOUSES, OTHERS.

HM Mortise Series Locksets with key-in-knob lock and built-in deadbolt design provide rapid installation and maximum security. The entire lock is well-balanced and the mechanism is durable.

This series of locksets has a wide range of applications, both residential and commercial. Used in combination with various locks for different purposes, they facilitate design and control of the ultimate keying system for an entire building.

- **Model HM* -1M (with emergency opening device cover)**

This model can be unlocked by breaking the cover and turning the thumb-turn in case of an emergency.

- **Model HM* -8 (with emergency opening device and occupancy indicator)**



Unlocking in case of an emergency (model HM*-8)

The model indicate by means of a red panel when the interior is occupied.

Model HM*-8 can be unlocked from

the outside using a hairpin or similar object in case of emergency.

D and W designs are available.

- **Specification**

Backset (mm) 51 · 64 · 76 · 100 · 127

(Note) An expansion brace is provided for 76 and above on request

Door thickness (mm) 33~42 · 42~50 · 50~58 · 58~66

HMS series: 25~29 · 29~33

Model HM* -8: 33~42 · 42~50



ELECTRIC LOCK SYSTEM APPLICATIONS

RESIDENCE: MAGICAL TEN-KEY SYSTEM



Create a life - no need to carry the key.

Benefits of the system

- Possible to unlock in the personal identification number, not need to have a key.
- Even if a personal identification number was known to others, available to change the number instantly, and maintains your security.
- Possible to lock and unlock the electric lock by pushing buttons in the kitchen.
- Possible to check the status of the door from the kitchen.

APARTMENT BUILDING : COMMON ENTRANCE



Unlocking the apartment entrance system using non-contact IC keys: Raccess series or non-touch series. (VERSA Access Controller)

Benefits of the system

- Unlocking with a simple operation, easy to use for elders and children: passing by holding the non-touch key to the reader; passing by simply putting Raccess key in the bag.
- Maintain a high level security: If a non-contact ID key is lost, you can simply delete the lost key.

HOTEL: HOTEL CARD LOCK SYSTEM



High-technology card has a variety of functions.

Benefits of the system

- Realization for labor-saving of front desk work and space saving of the front desk.
- Possible to issue multiple cards to one room, it is convenient for multiple guests of one room.

COMPANY-OWNED OFFICE BUILDING: ACCESS CONTROL SYSTEM



An access control system that can centrally manage several gates (doors)

Benefits of the system

- The access control unit allows you to effectively construct a suitable system for your building.
- Up to 3,000 people can be managed.

Please contact us for more information regarding the available MIWA electric lock system.



CONTACT US

ALLIANCZ INTERNATIONAL PTE LTD

Address: 40 Ubi Crescent, #01-02, Ubi Techpark, Singapore 408567

Website: www.allianczinternational.com

Email: enquiry@allianczinternational.com

Telephone: 6743 3313



Alliancz International Pte Ltd