



PRODUCT CATALOGUE

CONTENT

PAGE

AZ GREENINS DECK CATALOGUE

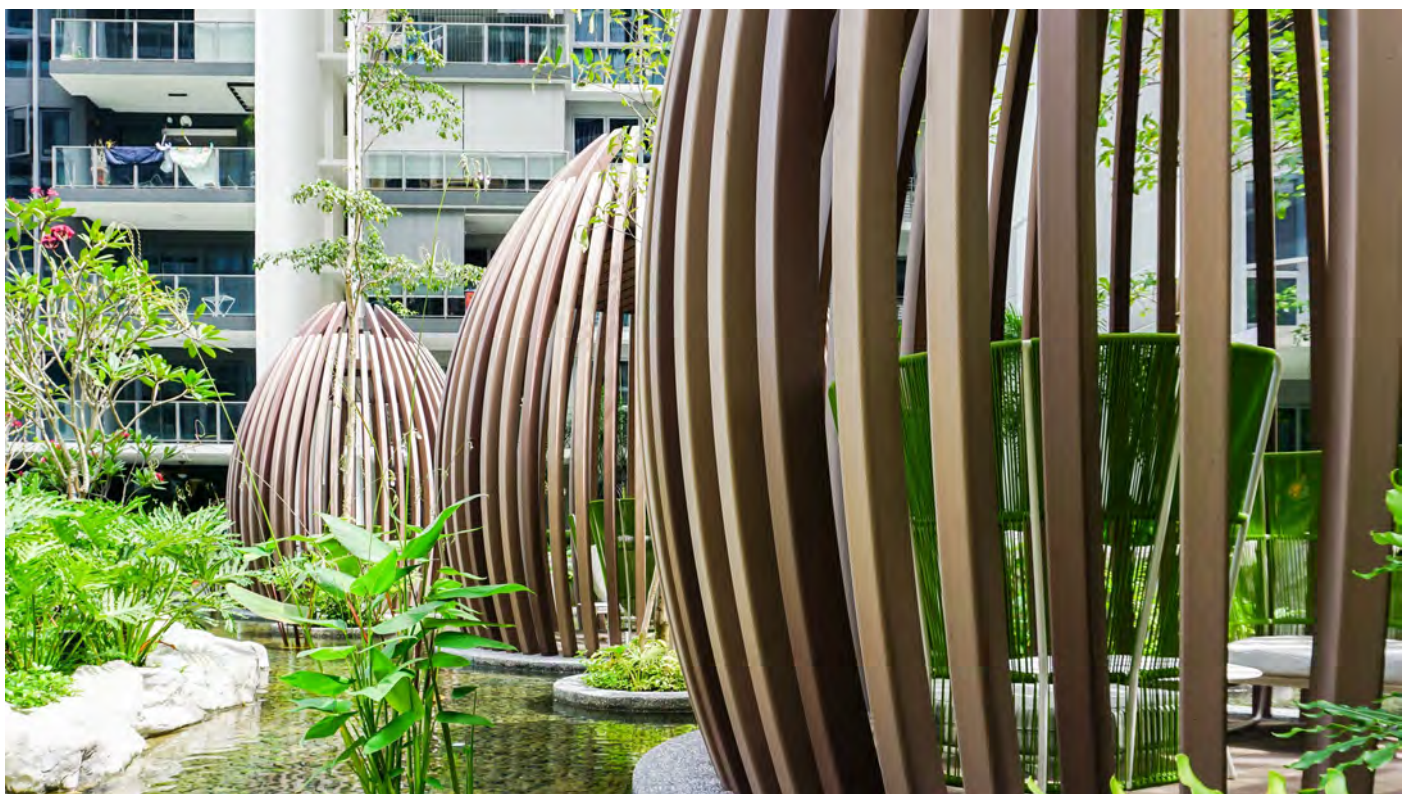
PARKABIKEZ

ADORZ

IRONMONGERY

AZECODRY

AZ GREENINS DECK



AZ Greenins Deck composite timber provides steady durability to withstand the humidity level and tropical weather conditions in Singapore. With substantial versatility, it is not simply an alternative timber decking product as it also caters to other function such as wall claddings, trellises, benches, Venetian blinds dividers and sun-shades. Due to it's make up of up to 60% recycled wood content, we have been accredited with the Singapore Green Label Certificate. We have also become the first composite wood supplier in Singapore to achieve the SETSCO Class "0" fire rating, the highest fire proof rating of its kind. AZ Greenins Deck strives to provide a wide variety of structural options to complement any architect's creative vision and any builder's needs.

PARKABIKEZ



Since 2006, ParkAbikeZ double tier bicycle rack system has been providing cyclists with a safe, secure and reliable parking space for their bicycles. By incorporating a double tier system, we create more parking options where space is limited, creating a neat, organized parking area. While this also encourages more people to ride and exercise, it also helps encourage less driving which is better for roads and better for the environment. By combining a strong steel body with state of the art hydraulic assistance technology, ParkAbikeZ creates a sturdy and yet user friendly experience.

ADORZ



Alliancz International is dedicated to the design and manufacture of high quality steel doors with an emphasis on safety and reliability. Whether that safety be the locking function, radiation protection or the fire rating, ADORZ is your trusted brand in longevity and reliability. With STC options also available, as well as an extensive international and local project portfolio, ADORZ can provide you with a peace of mind solution for all of your metal or timber door needs.

IRONMONGERY



Alliancz International has proudly provided the most modern and up-to-date electronic and conventional security technology solutions. We aim to offer the best to our consumers from all corners of the world, like our exclusive distributorship of MIWA - Japan and Vachette - France in Singapore. MIWA is the Number 1 Lock Manufacturer in Japan while Vachette is one of the few CE certified lock manufacturer internationally. Being one of the pioneers in the industry, Alliancz International also provides customisation services to suit clients' requirement and expectations.

AZECODRY



AZecodry is an innovative, all in one laundry drying system bringing convenience to your home. The remote-control system allows the rack to extend to arms reach providing an effortless solution to hanging your clothes. This innovative technology is ideal for people who live in apartments and condominium with limited space as the poles are retractable and movable to create better use of space in your home. We offer a wide of drying rack systems with multiple added functions available such as heaters, air-drying power and UV sterilisation lights to suit your needs. Please contact us for more information.



AZ Greenins Deck PRODUCT CATALOGUE

“The first and only composite wood product to achieve
SETSCO Class “0” Fire Safety Cert”

Agreenins
ZDECK

DECKING • BENCHES • STAIRCASES & TRELLIS • CLADDING

ALLIANCZ INTERNATIONAL PTE LTD



Alliancz International Pte Ltd

Disclaimer

Information in this catalogue is correct at the time of printing and valid but may be subject to change.

This material does not purport to constitute legal or professional advice. Allianz accepts no responsibility for and makes no representations, whether express or implied, as to the accuracy or reliability in any respect of any material in this publication. Except to the extent mandated otherwise by legislation, Allianz does not accept responsibility for the consequences of any reliance which may be placed on this material by any person.

Allianz will not be liable to you or to any other person for any loss or damage (including direct, consequential or economic loss or damage) however caused and whether by negligence or otherwise which may result directly or indirectly from the use of this publication.

Copyright Allianz International
© Allianz International 2018.

Except as permitted by the Copyright Act, this material may not be reproduced, stored or transmitted without the permission of the copyright owner. All enquiries must be directed to Allianz International.

Published by Allianz International 2018.

CONTENT PAGE

SINGAPORE GREEN LABEL CERTIFICATE	4
SETSCO CLASS "0" FIRE RATING CERTIFICATE	5
ATTRIBUTES	7
DECKING	9
STAIRCASE & TRELLIS	14
BENCHES	16
WALL CLADDING	19
AZ GREENINS DECK DETAILS	21
DESIGN	22
INSTALLATION	24
SPECIFICATION & WARRANTY	26

SINGAPORE GREEN LABEL CERTIFICATE

Administered by the Singapore Environment Council (SEC), the SGLS is the region's most established eco labelling scheme with over 3 000 unique products certified across 2-8 countries. The Singapore Green Label is a seal of endorsement on its environmentally-friendly claims to prevent the abuse of green-washing. Alliancz is committed to a greener future, and AZ Green Deck has earned the Green Label certificate for its eco friendly make up of at least 50% recycled materials.



The Singapore Green Labelling Scheme Secretariat hereby grant

Alliancz International Pte Ltd

40 Ubi Crescent #01-02 Ubi Techpark Singapore 408567

the right to use the Singapore Green Label for

ALLIANCZ GREENINS-COOWIN
043-063-0937

"Made From At Least 50% Recycled Content"

LAM JOON KHOI
EXCO Chairman
Singapore Environment Council



SETSCO CLASS "0" CERTIFICATE



SETSCO Certification Body (SCB) is an independent third party organization specializing in product certification based on requirements of national and international standards. The SETSCO Class "0" certificate is a fire testing certificate that indicates a product has met the highest possible standards of fire safety. No other composite wood product in Singapore has met this rating, however AZ Greenins Deck has passed, making it the most resilient composite wood against fire in Singapore.



AZ Greenins Deck composite timber provides steady durability to withstand the humidity level and tropical weather conditions in Singapore. With substantial versatility, it is not simply an alternative timber decking product as it also caters to other function such as wall claddings, trellises, benches, Venetian blinds dividers and sun-shades. Due to it's make up of up to 60% recycled wood content, we have been accredited with the Singapore Green Label Certificate. We have also become the first composite wood supplier in Singapore to achieve the SETSCO Class "0" fire rating, the highest fire proof rating of its kind. AZ Greenins Deck strives to provide a wide variety of structural options to complement any architect's creative vision and any builder's needs.

ATTRIBUTES

✓ **Water resistant, Non-Slip and Fire retardant – Class 0 Tested**

Tested to Singapore standards, our composite timber has achieved the highest fire proof rating (Class 0), as well as passing crucial water and slip related testing.

✓ **Insect and fungus resistant (in most environments)**

Although natural wood is subject to the effects of termites and the corrosion caused by mould and fungus, composite timber is 100% termite proof, and it's chemical composition protects it against fungus.

✓ **Free from natural defects e.g. No Splintering**

Splinters and cracking are a big safety hazard, as well as an eye sore.

Composite timber does not splinter and even in extreme weather conditions will not twist and crack like natural wood.

✓ **Resistant to weathering (UV stable)**

✓ **Recyclable - Singaporean Green Label Certified**

Our composite timber is made up of approximately 60% recycled material

✓ **High impact strength / Light weight**

Composite timber manages to combine the durability of high impact strength and loading, while also remaining light weight making it safer and easier to install.

✓ **Close resemblance to natural wood**

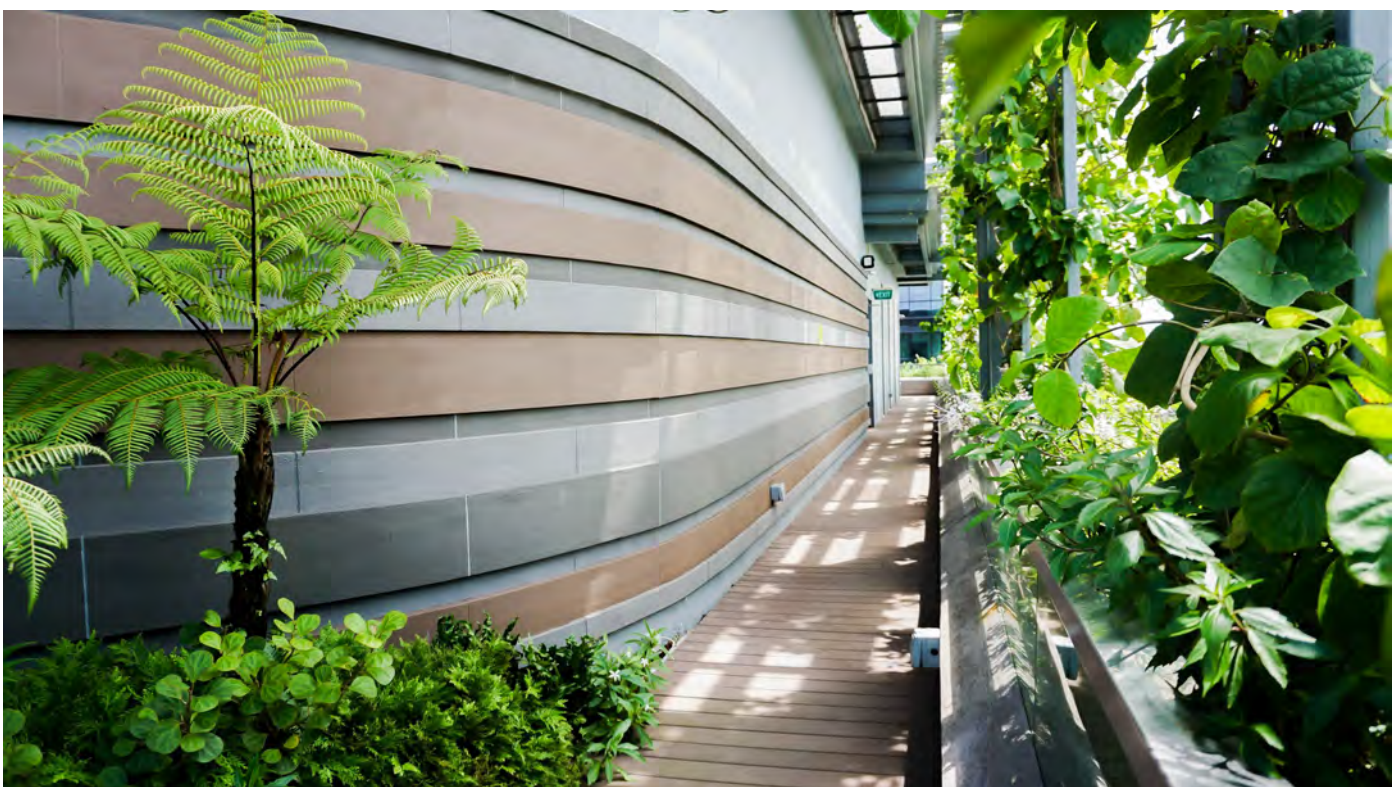
With a composition that includes 60% recycled wood waste, composite timber manages to keep it's natural look and feel, while negating all the negative and expensive costs of real wood.

✓ **Colour Retention (Varies based on colour selection)**

All wood exposed to the sun over time will have it's colour fade, requiring constant varnishing and cleaning.

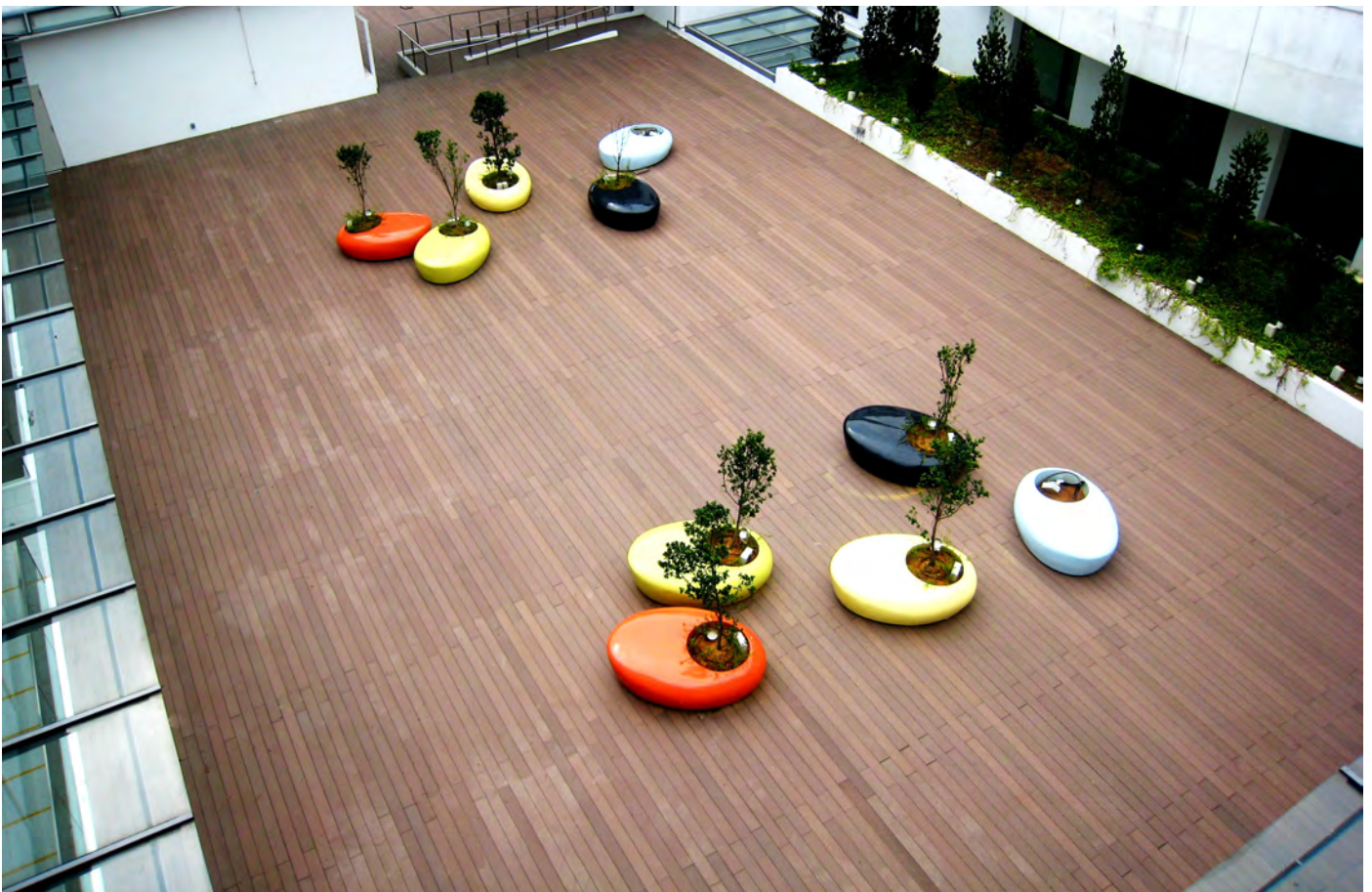
Because of its natural wood make up composite timber has minor colour adjustments, but due to its pigmentation will retain a stronger, nicer colour.

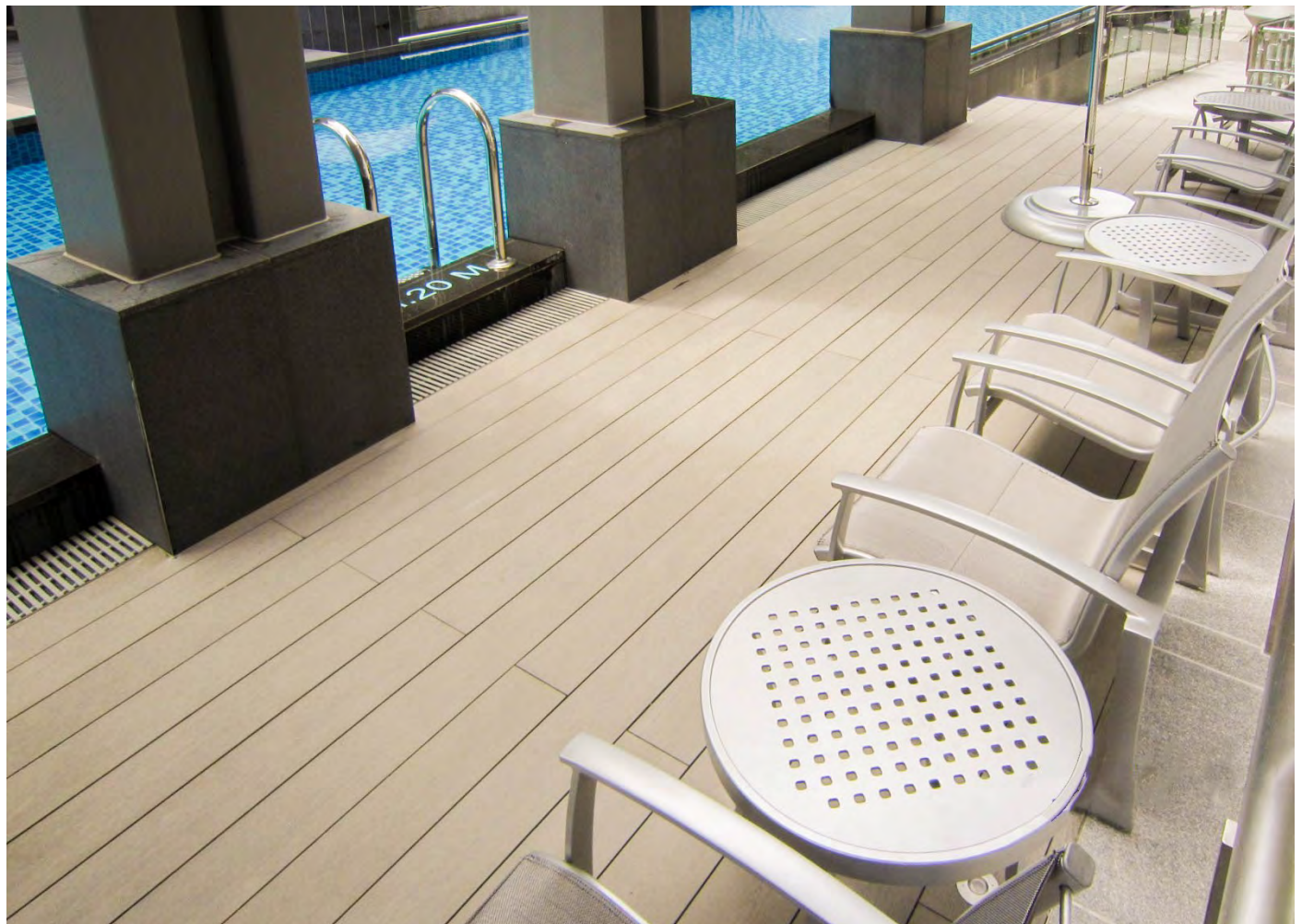
	AZ Greenins Deck Composite Wood	Natural Wood
Water Resistance	Strong	Bad
Fire Resistance	Class "0" Rating, Highest in Singapore	Flammable
Deformation	Minimal (Low)	High (Cracks and warping present)
Termite Resistance	Excellent	Low
Maintenance Cost	Low	High (Varnish, cleaning, replacement)
Environmental Effect	Low (Recyclable)	High (Deforestation)
Finishes	Finished product, homogenous, no sanding or varnish required	Grinding, Sanding, Varnishing req. Affected by weather conditions
Safety	Non-slip, splinter free, fire safe.	Splinters common, flammable and can slip
Decking Support	3mm anodized aluminum batten (anti corrosive)	Balau wood, decay over time



DECKING

Timber decking is a popular flooring option in modern landscaping for both indoor and outdoor areas, it brings a touch of nature and style with it. However timber products are no longer an eco friendly alternative, and with high flammability, splintering, twisting and warping, it becomes very costly to yourself, and the planet, to use natural timber. AZ Greenins Deck is a composite timber material engineered to withstand all of nature's harshest conditions, while preserving the look and feel of natural wood. By incorporating 60% recycled wood waste material, hardeners and PVC resins, Greenins Deck is both eco friendly while also tougher than natural wood. It has earned the SETSCO Class "0" Fire Rating, the highest rating in Singapore, which no other composite wood product in Singapore has achieved to date. With a wide range of colours, textures and sizes, and the best durability, think Greenins Deck for your next landscaping project.

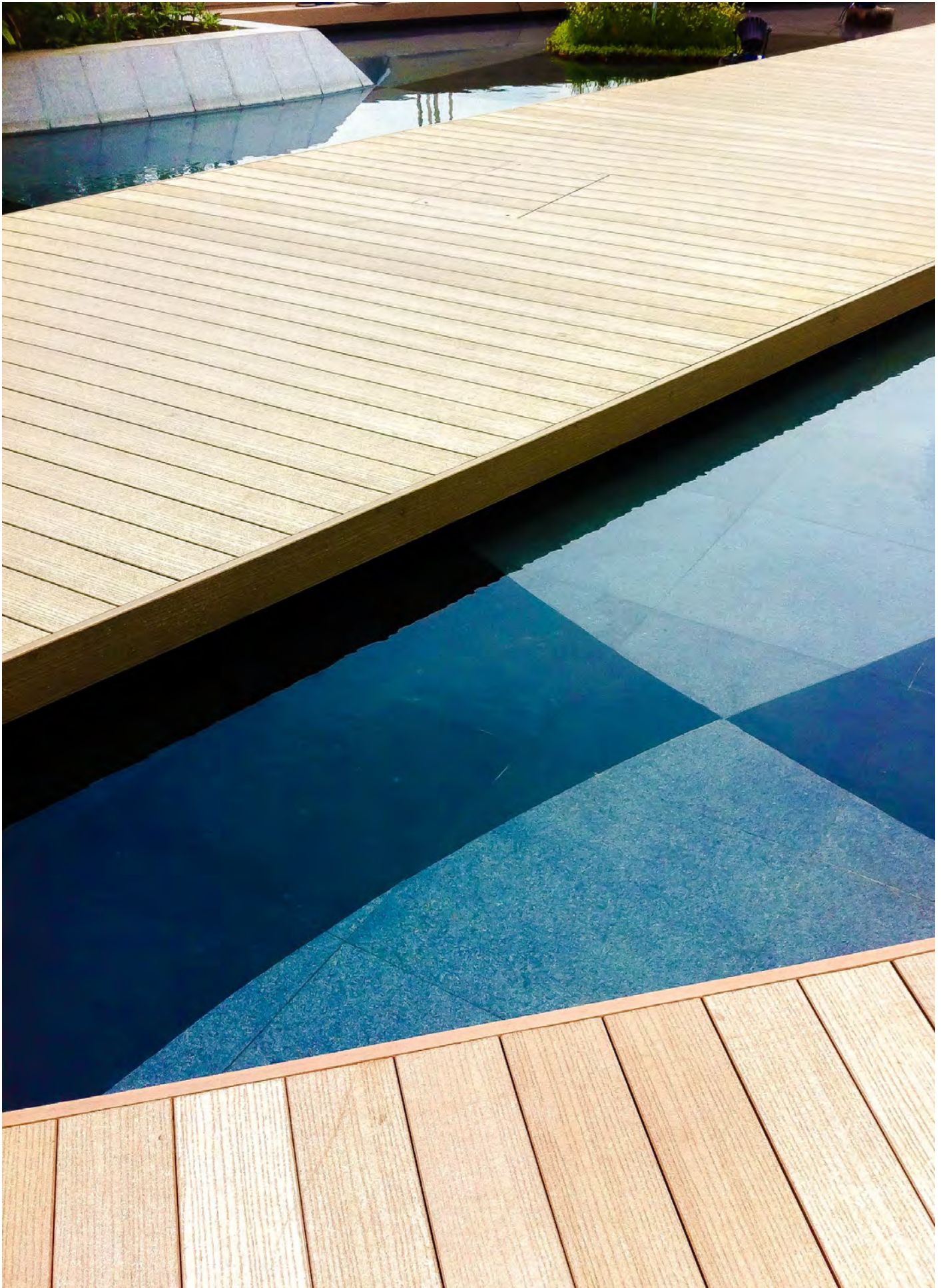




Our decking is installed on a series of anodized aluminum battens, a better alternative than natural balau wood planks which decay over time. AZ Greenins Deck Composite Planks are then secured on to the battens by the Allianz International (AZ) plastic clip system, no drilling of the wood is required. Drilling holes into wooden planks causes small cracks and splintering which worsens over time, leading to maintenance costs and safety hazards. However the AZ clip and groove system means our planks have a flush finish without any holes or splits, it also give allowance for the planks to expand and contract. Due to the 60% natural wood composition, our planks still expand and contract like natural wood, but with our installation method and PVC resin composition, our wood stays stronger for longer.



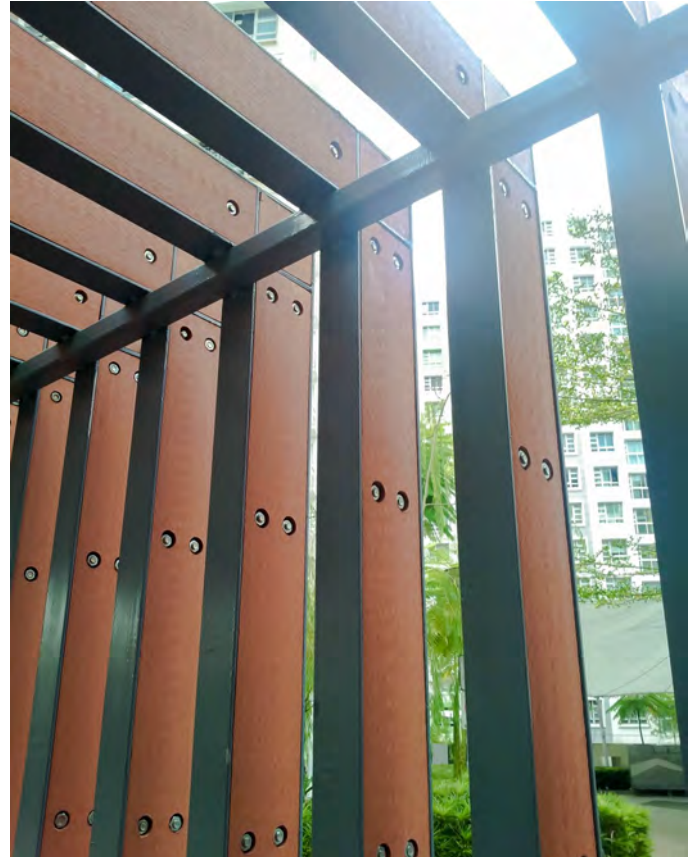




STAIRCASE & TRELLIS

Staircases & trellises are great creative opportunities to add a "touch of Zen" to both indoor and outdoor spaces. The material you choose however must have the aesthetics to create a pleasant design, while also having the strength to support users. AZ Greenins Deck is perfect for this combination. By combining the natural look and feel of wood with tough durability, our composite timber creates the perfect balance for staircases and trellises. For trellises our wood is cladded onto steel trellis structures by our bolt and nut system, for staircases there are a variety of options, most common of all will be installation onto a pre existing steel frame. Applications are suitable for residential and commercial use, with thicker, stronger profiles available for your custom needs.

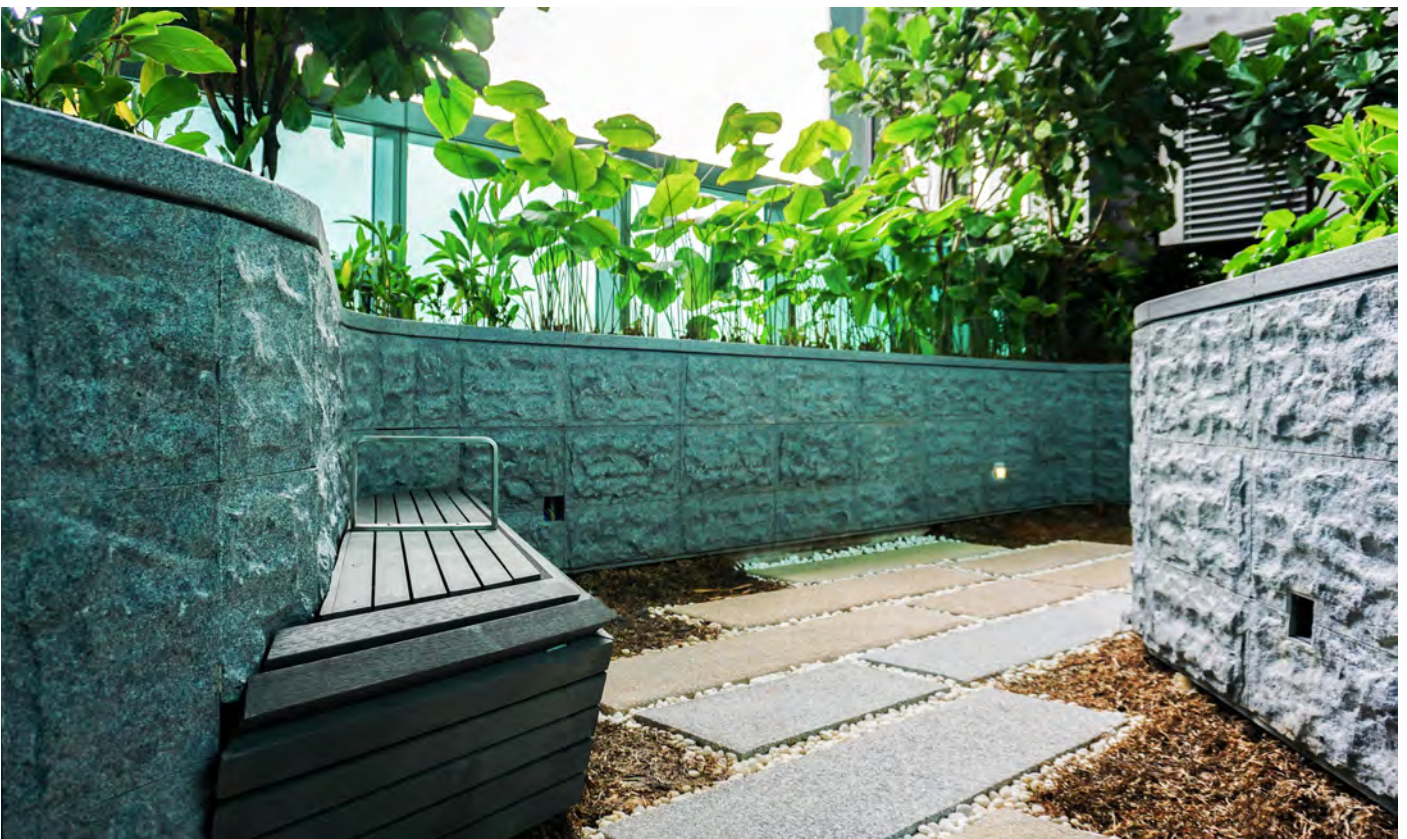




BENCHES

AZ Greenins Deck Composite timber creates the perfect natural finish for benches and seating. We utilise a variety of profiles to ensure the bench design is smooth and natural. The durability of AZ Greenins wood is especially important when dealing with benches and seating areas. Sitting areas are designed for comfort and relaxation, but natural wood tends to splinter and crack, which can injure and render the bench unusable. With our composite timber we provide peace of mind, as our wood does not splinter and crack like natural wood, making a natural seating solution with more comfort and longevity. For more information on our profiles, colours and textures, contact us!

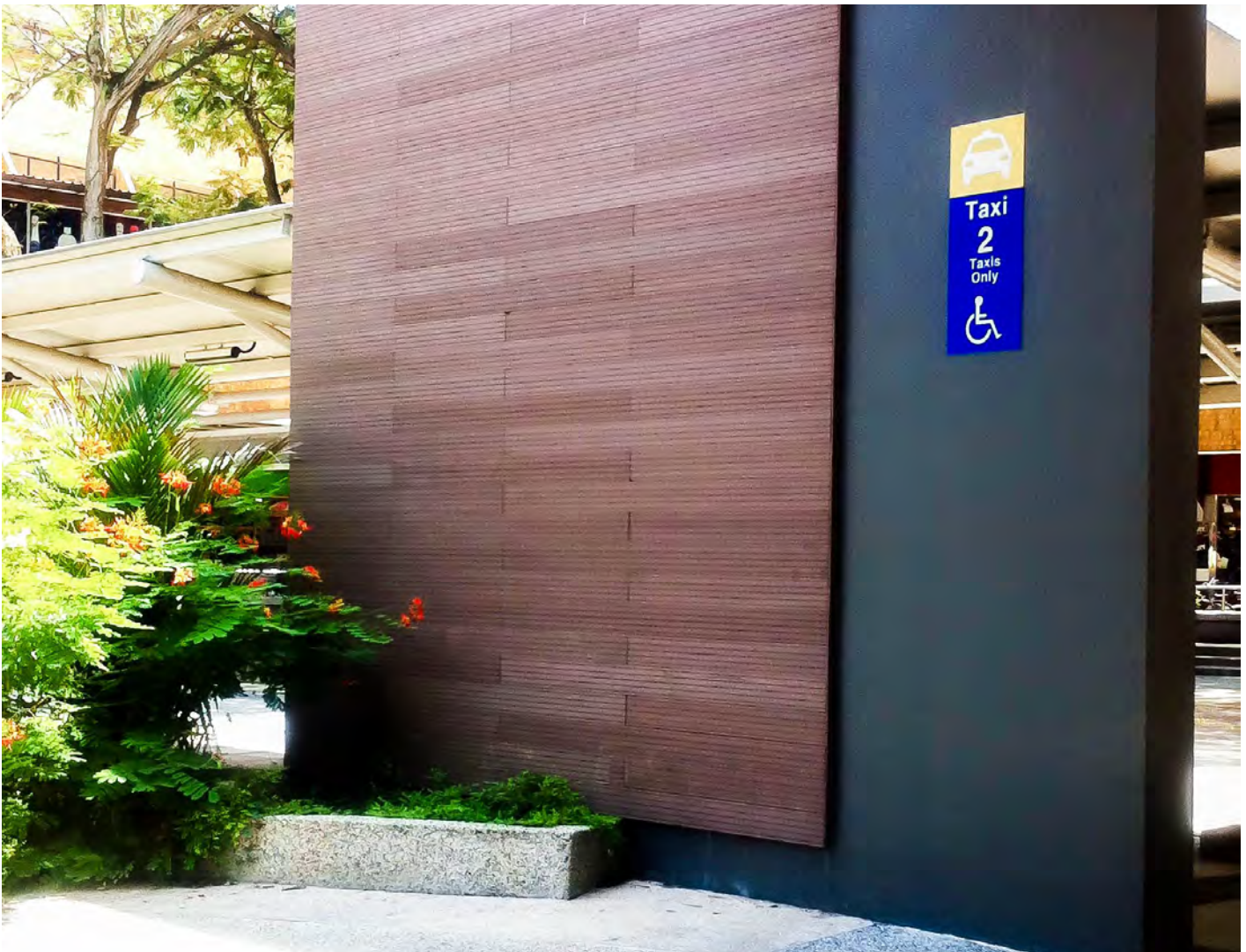






WALL CLADDING

Wall cladding can be achieved using our special tongue and groove profile or our standard fixing method, subject to architect and consultant selection. Due to the nature of cladding being installed vertically, we have a range of lighter profiles that will be safer for suspended installation, while still providing the same natural, flush design. Wall claddings can be used as a decorative and functional feature, contributing to the intended aesthetics of a project. Whether it's a small wall in your garden at home or a feature wall at a commercial centre, think AZ Green Deck for your next wall space.





AZ GREENINS

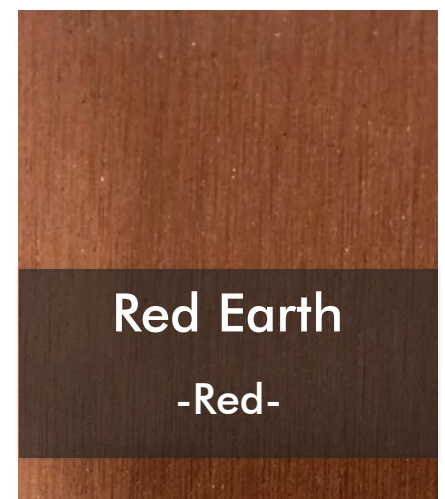
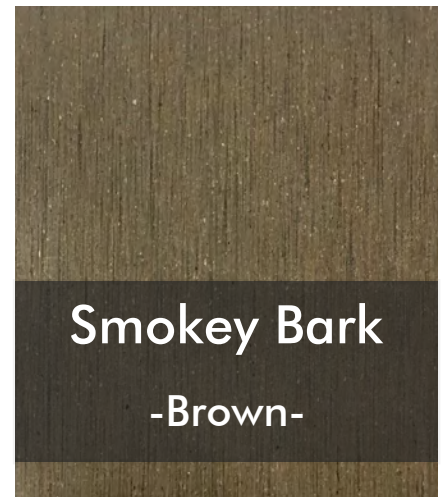
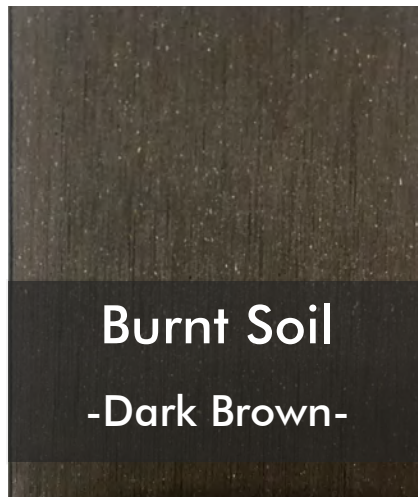
SPECIFICATION



DESIGN

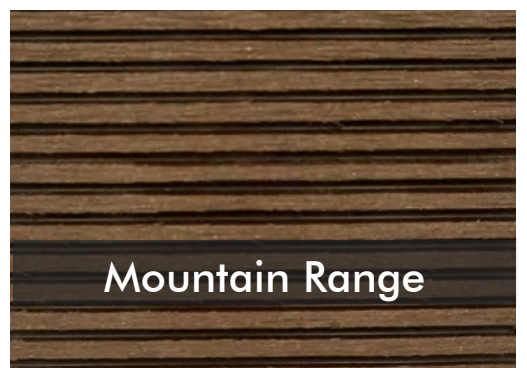
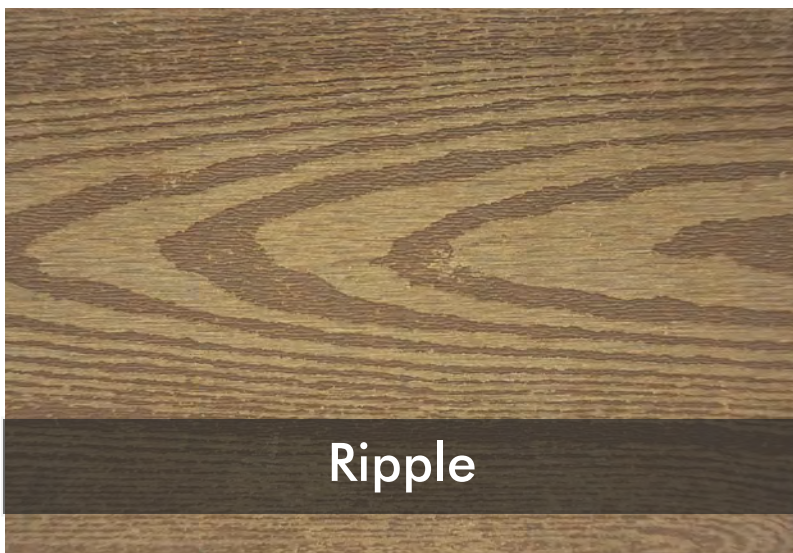
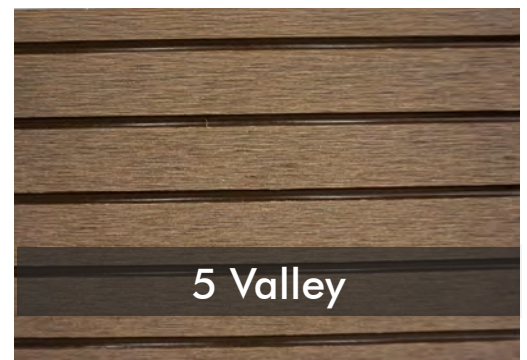
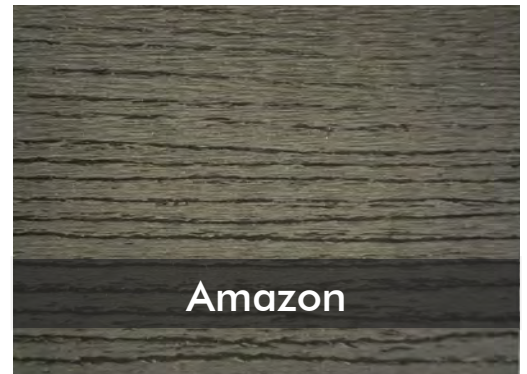
Not every project is the same, that is why we offer a diverse range of colours and textures to meet every aesthetic and practical need. Our wood undergoes a pigmentation process during production, rather than a plastic coat or paint, imbuing the colour into the wood. Natural timber requires constant varnishing and washing to keep its colour consistent and even, which can be costly and time consuming. AZ Green Deck planks only require a simple wash with water and do not require constant varnishing and upkeep.

Our colour range consists of earthy tones that rather than attempting to copy the colour of natural timber, emulate their own natural feel.



In order to cater to the many creative visions landscape themes of architects, residents and developers, we also offer a wide range of texture profiles. These profiles can range from simple, sanding finishes, to elegant wood grain styles which help to enhance the level of creativity and design in modern architecture.

Unlike natural wood which can only have its colour altered slightly through varnish or paint, our wood is made to suit your needs and your design intent. All of our colours can be combined with all of our textures, and we can customize to your liking! For more information or to see a sample, come by our office or call to arrange a meeting.

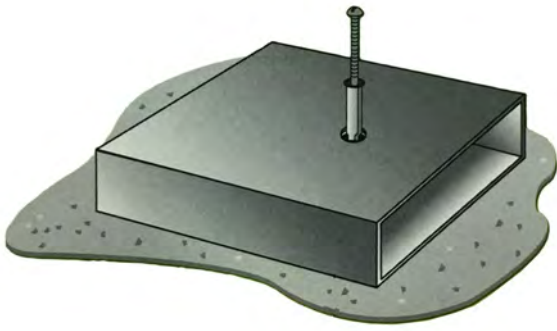


INSTALLATION

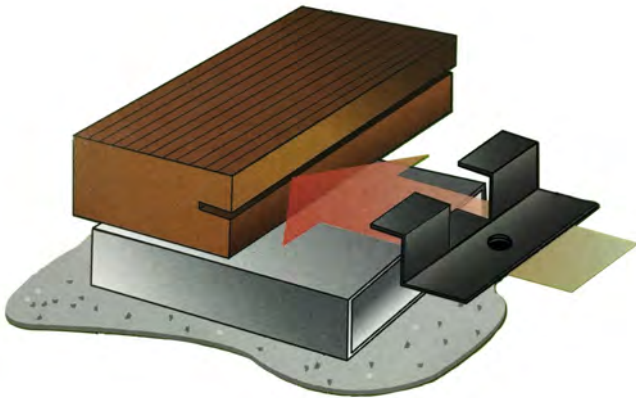
Skilled and precise installation is imperative not just so that your timber can look its best, but also so that it can last as long as possible. Our wood is installed on anodized aluminium battens which are bolted down at 300mm intervals to provide sturdy support that will not weaken like natural wood supports. Using our clip and groove system, the battens, clips and screws are completely hidden and no drilling of the actual plank is required as the wood is firmly held in place. This prevents cracking on the surface near the drill holes and also provides a safer surface free of any protruding metal. While this holds the planks firmly in place, the clips also allow for expansion and contraction of the planks during heat or rain, which occurs due to their recycled wood content. The result is a perfectly level, smooth surface free of screws, holes and metal. For edges, especially around areas like swimming pools and balconies, we use our capping method to nicely flush off the edge.

We have provided a simple diagram to show how our system works, as well as architectural cross section details. For more information please contact us for a discussion.

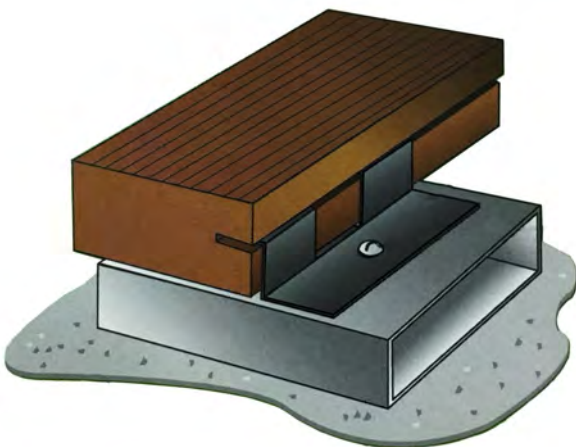




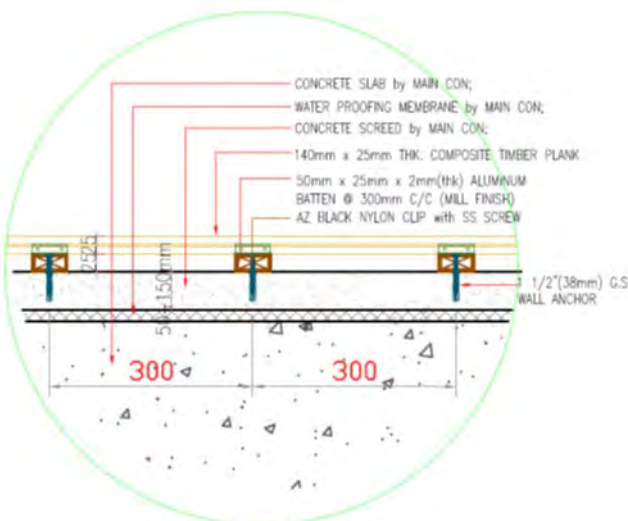
Our aluminium battens are held in place by 38mm Anchor bolts that secure onto the concrete surface below.



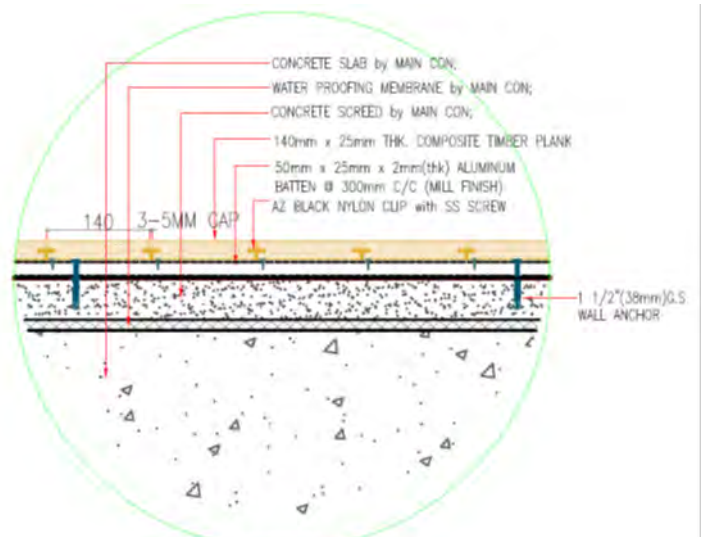
Rather than drill directly into the wood to secure it in place, we use a nylon plastic clip and groove system to securely fasten the plank without having to direct drill onto it's surface.



We then secure then plastic clip into the batten which in turn firmly holds the composite timber in place. This process is repeated to create a beautiful decking area with all screws and fasteners hidden away.



LONGITUDINAL SECTION DETAIL



CROSS SECTION DETAIL

SPECIFICATIONS & WARRANTY

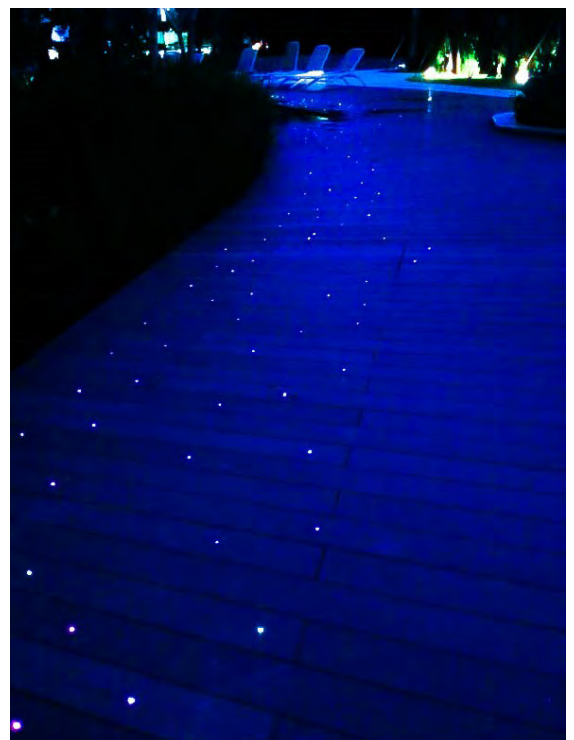
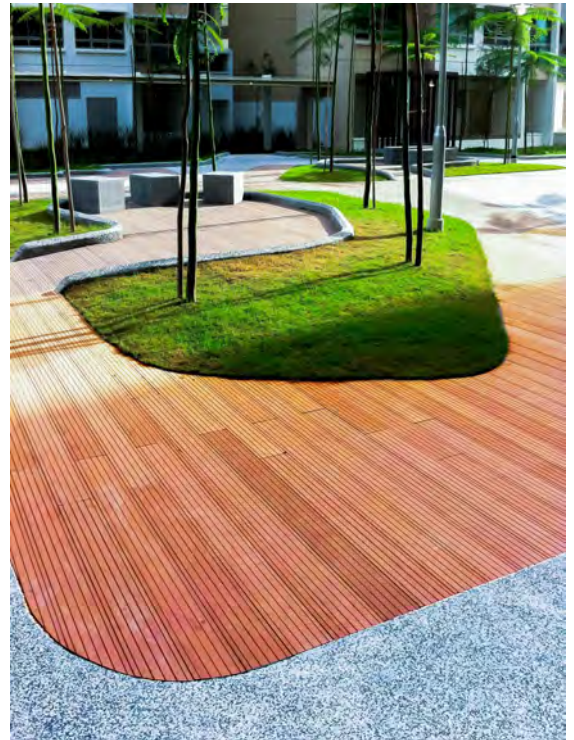
Allianz International & AZ Greenins Deck is dedicated to after sales maintenance and therefore offers 18 months warranty against manufacturer defects for our timber products. AZ Greenins Deck is able to re-surface up to 8mm of our sanding profile decking should there be any accidental scratching as the profile is solid and homogenous.

AZ Greenins Deck identifies itself as the substitution material for timber products and it offers a close resemblance to natural wood. AZ Greenins Deck products can be nailed, screwed, stapled, printed, sawed and glued.

Due to its composition of up to 60% recycled wood material, AZ Greenins Deck Composite Wood is subject to contraction and/or expansion of approximately 1.5mm to 2mm linear meter length (length side) and 1mm to 1.5mm on its overall width. Space is accommodated on either side during installation for this movement along with the aid of the clip system.

Our skilled in-house carpenters, under the close supervision of our site supervisor and manager, produce high quality workmanship and install all of AZ Greenins Deck products and accompanying structural support.

Allianz International and AZ Greenins Deck has the appropriate resources available to customize designs corresponding to given architect illustrations. Some of our completed customized installations include fan-shaped decking, detailed curvatures, diagonal plank installation and allotted space for lighting effects.



DESCRIPTION

AZ GREENINS DECK COMPOSITE WOOD

Material	Supremely compressed recycled wood waste with PVC resins, stabilizers, additives and colour pigmentations
Aesthetically	Solid and Homogenous – Real wood lookalike
Support/ Batten Distance	3mm thick anodized aluminum anticorrosion Installed @300mm CTC with 6 x 1-1/2" wall anchor bolt with minimum thickness of 50mm concrete screed
Deformation	Minimal deformation – Max 2-4mm per meter depending on weather temperature
Fire Surface Spread of Flame Test	Passed and achieved - Class '0' of BS 476: Part 6 & 7: 1989 Setsco Report No.: FSP-2017-0498, CT-21601/1/THC & CT-21601/2/THC
Loading Test	17.49 kN/m ²
Water Absorption	0.3 - 0.6% maximum
Size and finishes	Wide range of sizes and profiles Standard sizing: 140 x 25mm Natural Wood Colour Range [6 Main Choices]
Installation Methods, details of Access Panel	AZ Clip-On system for decking. All access panels are framed with Aluminum angle brackets throughout all edges.
Quality Workmanship	100% in-house installers Skilled carpenters – Organization chart available readily upon request
Support for raised floor height	38mm anchor bolt on Concrete Stumps with PVC pipe casing or Pedestal system or Steel structural support
Finishes at corner or facial edges at pools and steps	Miter joints subject - (Concealed fixing countersunk SS Screw)

Park**A**bike**Z**

ALLIANCZ INTERNATIONAL PTE LTD

PRODUCT CATALOGUE



AlliancZ International Pte Ltd

Disclaimer

Information in this catalogue is correct at the time of printing and valid but may be subject to change.

This material does not purport to constitute legal or professional advice. Allianz accepts no responsibility for and makes no representations, whether express or implied, as to the accuracy or reliability in any respect of any material in this publication. Except to the extent mandated otherwise by legislation, Allianz does not accept responsibility for the consequences of any reliance which may be placed on this material by any person.

Allianz will not be liable to you or to any other person for any loss or damage (including direct, consequential or economic loss or damage) however caused and whether by negligence or otherwise which may result directly or indirectly from the use of this publication.

Copyright Allianz International
© Allianz International 2018.

Except as permitted by the Copyright Act, this material may not be reproduced, stored or transmitted without the permission of the copyright owner. All enquiries must be directed to Allianz International.

Published by Allianz International 2018.

CONTENT PAGE

PSB 100,000 CYCLIC TEST	4
ATTRIBUTES	6
MATERIALS AND FINISHES	8
PARKABIKEZ DOUBLE TIER SERIES	9
DOUBLE TIER U SERIES	10
DOUBLE TIER L SERIES	12
PARKABIKEZ SINGLE TIER SERIES	15
SINGLE TIER P SERIES	16
SINGLE TIER O SERIES	18
SINGLE TIER MULTI SERIES	20
BICYCLE LOCKER SERIES	22
CUSTOM BICYCLE RACK STYLES	25
CUSTOM STYLE STAGGERED TIER	28
SPECS & WARRANTY	30

PSB 100,000 CYCLIC TEST



PSB Singapore

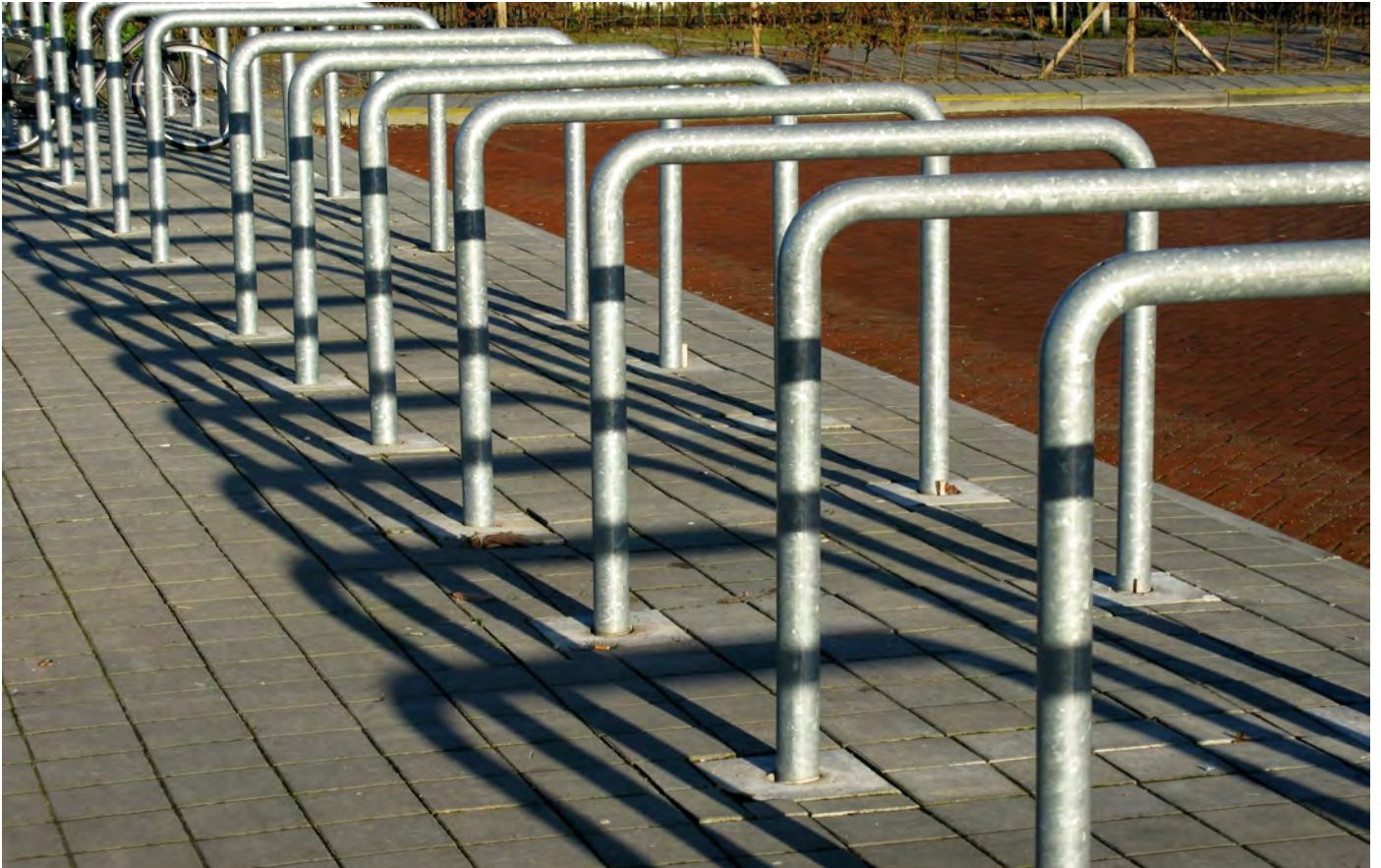
PSB SUD TUV is a service provider for a comprehensive and integrated suite of product testing, inspection, auditing, certification, training, and knowledge services. Their 100,000 cyclic test is designed to monitor how a machine operates after continuous usage. Our double tier bicycle rack was tested by PSB and it was found after 100,000 uses (the top tier being pulled down and put back up 100,000 times) the rack was still working perfectly and there was no visible damage or malfunction. If the rack was to be used 2 times a day by someone parking their bike, this gives the double tier bicycle rack years of worry free functioning, providing peace of mind to users and developers.



Since 2006, ParkAbikeZ double tier bicycle rack system has been providing cyclists with a safe, secure and reliable parking space for their bicycles. By incorporating a double tier system, we create more parking options where space is limited, creating a neat, organized parking area. While this also encourages more people to ride and exercise, it also helps encourage less driving which is better for roads and better for the environment. By combining a strong steel body with state of the art hydraulic assistance technology, ParkAbikeZ creates a sturdy and yet user friendly experience.

ATTRIBUTES

- ✓ Gradient in the top tier pocket allows rainwater flow out to prevent water retention. Special gaps and perforated holes are provided to allow proper drainage and prevent trapped debris and mosquito breeding.
- ✓ The rollers are in-built with hidden bearings to enable smooth retraction. Less friction is required for usage.
- ✓ ParkAbikeZ racks use a SOTA Made-in-Japan heavy duty hydraulic system to prevent damaging the surface of the ground and for better ease of use.
- ✓ Contact points are painted with luminous colour to attract pedestrian's attention. All potential contact point edges have been de-burred and rounded in order to avoid possible injury with use.
- ✓ Publically tested and installed at many MRT stations and confirmed to be suitable for both senior and younger users. The height of the second tier has been ergonomically adjusted to prevent health issues.
- ✓ After discussions with LTA we have added a heavy-duty 50 mm "L"-shaped Galvanized Steel bar to provide more safety to the lower tier.
- ✓ All of our bicycle racks are made with Hot-dip Galvanized steel to BS ISO EN 1461:1999 or equivalent. In addition, Polyester powder coating for anti-rust. Stainless steel options are also available.



MATERIALS AND FINISHES

ParkAbikeZ is offered in different materials and finishes catering to clients' need which can be used for any type of bicycle rack provided. The following table outlines the available materials and finishes for your bicycle rack:

Material	Finishes
Galvanised Steel	Powder Coating
Stainless Steel (SS304)	Polished finishes
	Satin finished
Stainless Steel (SS316)	Polished finishes
	Satin finished

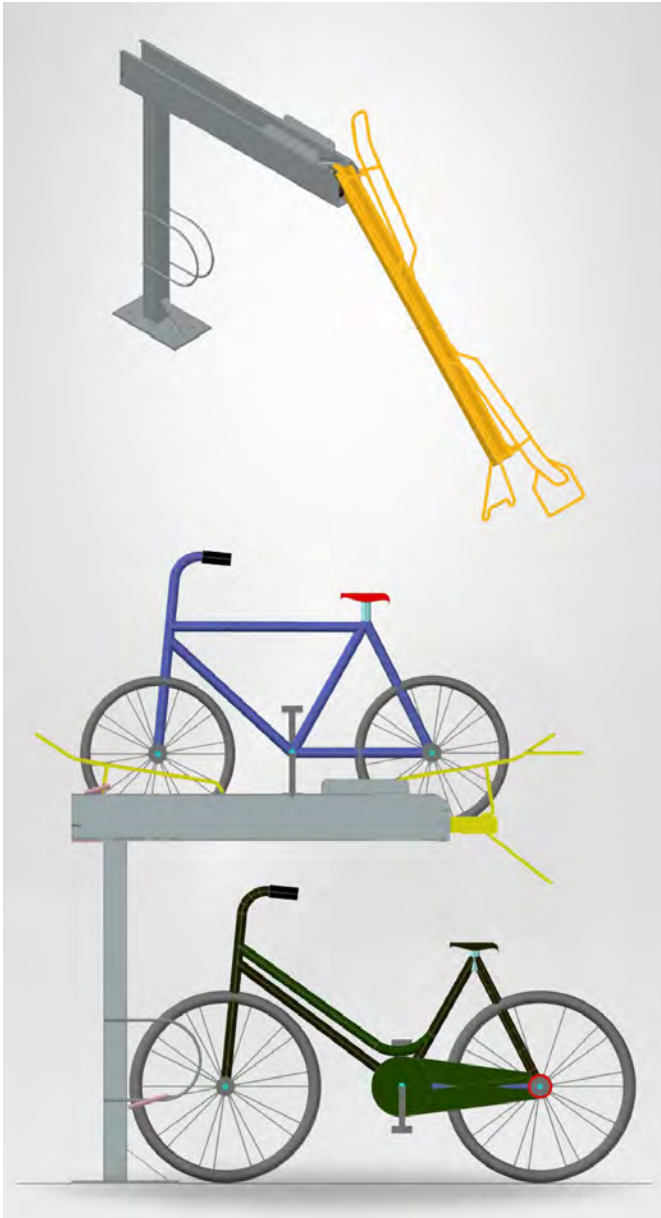
PARKABIKEZ DOUBLE TIER SERIES



DOUBLE TIER

U SERIES





Our U series bicycle rack is our timeless series, first being installed at Pasir Ris station in 2006. Our racks are made completely of hot-dipped galvanized steel, this means steel dipped in a special zinc coating to improve it's resilience against rust and wear. It is then powder coated in grey to give it both a smooth finish and further protection against rain and sunshine.

The racks are secured to the ground using 4 HILTI expansion bolts, which are pull out tested upon installation.

The top tier uses a heavy duty hydraulic system to allow the top tier to be pulled down slowly and safely, and additionally assists to lift the bicycle once it is loaded to it's top resting position. This assists elderly and younger users of the rack.

Requirements:

Headroom = **2300mm**

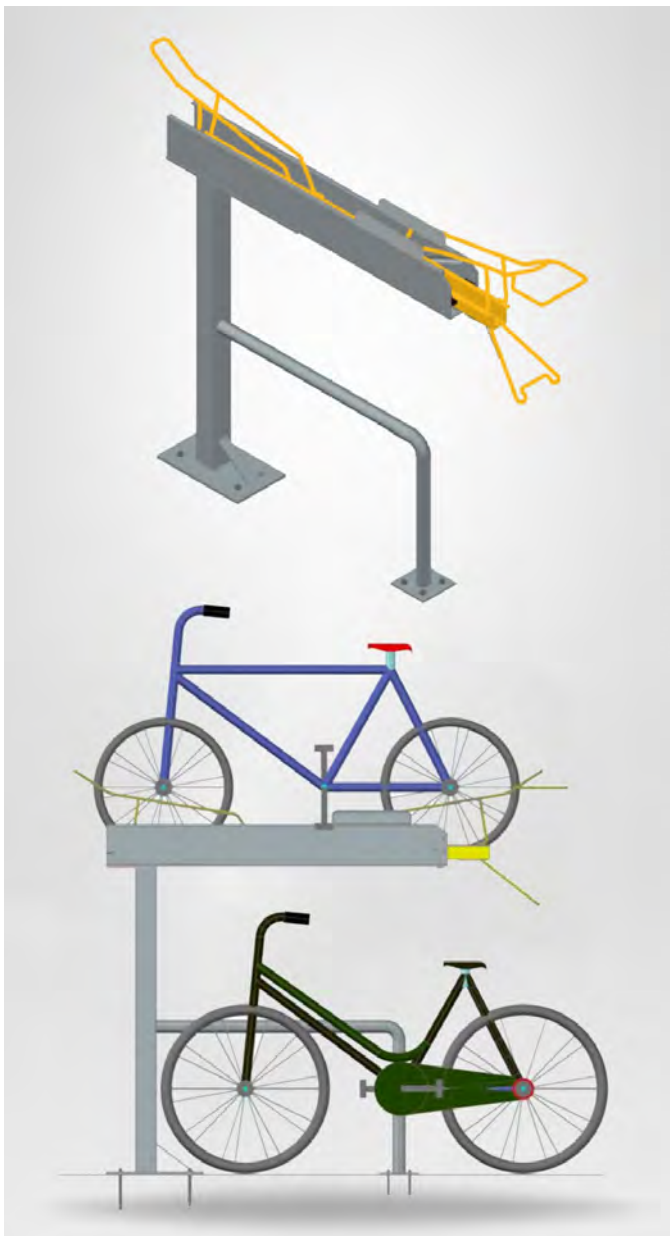
Pull down allowance = **3500mm**

Distance between racks = **650mm (center to center)**

DOUBLE TIER L SERIES







The L Series bicycle rack is our newest addition to the double tier family. After feedback from government bodies and research within Alliancz International, it was decided the L-shape bar should be incorporated as an option.

This bar provides added security to the bicycle parked at the bottom tier, as it allows the body of the bicycle to be attached rather than just the single front wheel.

It also provides more stability as 4 more smaller HILTI anchor bolts are used at the end of the L bar, creating another point of stability.

This rack also utilizes hot-dipped galvanized steel as well as the heavy-duty hydraulic system for continual quality.

Requirements:

Headroom = **2300mm**

Pull down allowance = **3500mm**

Distance between racks = **650mm (center to center)**

*PARKABIKEZ
SINGLE TIER
SERIES*



SINGLE TIER

P SERIES



Bicycles parked without racks can usually lead to chaos, as they fall over, lock together and become damaged. The best solution to this issue is with an organized bicycle parking system, by allocating spaces and stands for bicycles this creates order and allows better use of space in offices, condominiums and shopping centers alike. Available in both galvanized and



P1 - The All-Rounder

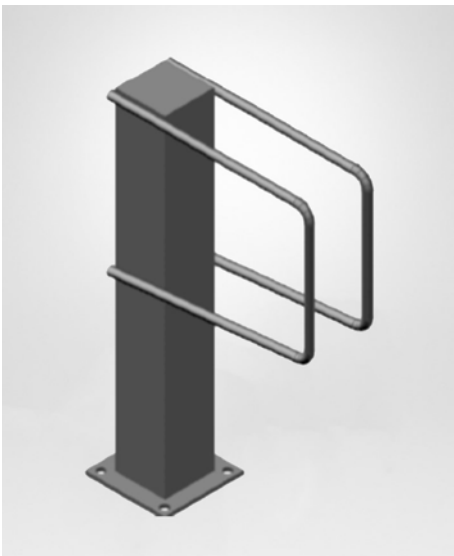
Model: AZ Single-Tier Bicycle Rack

Installation: Floor Fixed

Height: 500 mm

Width: 120 mm

Length: 200 mm



P2 - The Solid Square

Model: AZ Single-Tier Bicycle Rack

Installation: Floor Fixed

Height: 500 mm

Width: 120 mm

Length: 300 mm



P3—The Wall & Floor

Model: AZ Single-Tier Bicycle Rack

Installation: Floor & Wall Mounted

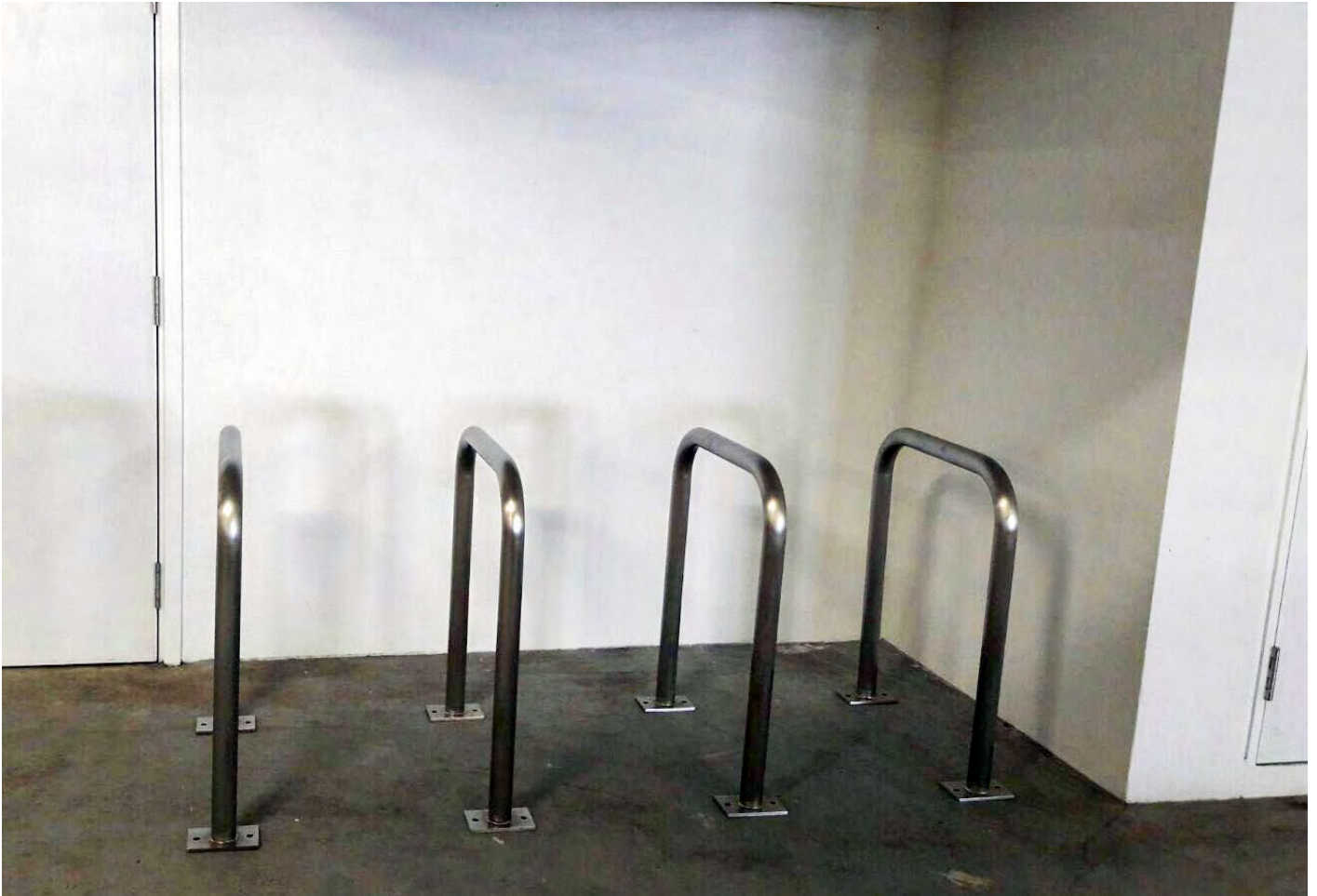
Height: 500 mm

Width: 230 mm

Length: 300 mm

SINGLE TIER

O SERIES



For a more stylish and modern looking solution to your bicycle parking, there is the O-series. These single tier racks combine sleek design with fresh ingenuity, provided more options for cyclists to park and securely lock their bicycle. Available in both galvanized and stainless steel, these racks add a touch of class to your bicycle area.



O1 - The Crest Wave

Model: AZ Single-Tier Bicycle Rack

Installation: Floor Fixed

Height: 800 mm

Width: 600 mm

Thickness: 50Ø 2mm THK. G.S Circular Hollow Section



O2 - The Hulla Hoop

Model: AZ Single-Tier Bicycle Rack

Installation: Floor Fixed

Height: 860 mm

Width: 940 mm

Thickness: 50Ø 2mm THK. G.S Circular Hollow Section



O3 - The Horizontal Sphere

Model: AZ Single-Tier Bicycle Rack

Installation: Floor Fixed

Height: 860 mm

Width: 940 mm

Thickness: 50Ø 2mm THK. G.S Circular Hollow Section

SINGLE TIER

MULTI SERIES



Our multi series combines our two goals that we aim to achieve with all our bicycle parking systems. The first is to provide a safe and secure parking area for bicycles, while also keeping this space organized and user friendly. The multi series combines a variety of space solutions to match a variety of areas, and by offering both vertical, slanted and ground options, there is sure to be a multi rack to meet your needs.



MS1 - The Spiral Saver

Model: AZ Spiral Bicycle Rack

Parking: Multiple Bicycle

Installation: Floor Mounted

Height: 700 mm

Length: 1200 mm



MS2 - The Secure Slanted

Model: AZ Slanted Bicycle Rack

Parking: Multiple Bicycle (6)

Installation: Floor Fixed

Height: 1829mm

Width: 1143mm

Thickness: 50Ø 2mm THK. G.S Circular Hollow Section



MS3 - The Stylish Vertical

Model: AZ Vertical Bicycle Rack

Parking: Multiple Bicycle (6)

Installation: Vertical Wall Fixed

Height: 340mm

Width: 91mm

Depth: 580mm

BICYCLE LOCKER SERIES



BICYCLE LOCKER SERIES



For many of us a bicycle is a travel companion, it is our trusted vehicle to get us everywhere we need to go. For those who have cared for their bicycle and invested in its design and function, we understand the importance of keeping your investment safe and secure. So, for when a bicycle chain lock is simply not enough, we have our ParkAbikeZ Bicycle locker, a safe haven for your bicycle as well as your riding equipment. Designed with the rider in mind, our locker system is not only secure, but ergonomically tailored to also secure away your helmet, gloves, riding shoes, and any other items you carry with you.



Inside the ParkAbikeZ locker you will find the vertical parking area for your bicycle, the wheel tray below helps to guide your bike along while also making sure it stays upright and will not fall to the side once the door is closed.

The hooks at the top are perfect for helmets and riding gloves, and also coat hangers if you wish to hang your riding shirt or other gear.

The perforated middle tray can be a platform for any GPS or riding light, as well as a cool area for riding shirts. The perforated design aids in making sure the shirt and clothing does not become damp.

The bottom deep tray is designed to hold riding shoes, also perforated to allow breathing space.

Every ParkAbikeZ Bicycle Locker is equipped with a TESA—ASSA ABLOY Digital Push Button door lock. This high security lock is easy to set up with a 4 digit code, but provides maximum security.



CUSTOM BICYCLE RACK STYLES

Customisation is always at the fore-front of all of our products, and our bicycle racks are no different. No one person is the same, so we offer options that will cater to everyone's needs. All of our double and single tier racks are available in both galvanized and stainless steel, with powder coating finishes available as standard.

We also offer colour customization for those who wish to add a touch of vibrancy to their project. We can also listen to your design intent and offer small, intricate changes that will make your bicycle parking feel truly suited to you. If you wish to learn more, please contact us.

CUSTOM STYLE SINGLE TIER



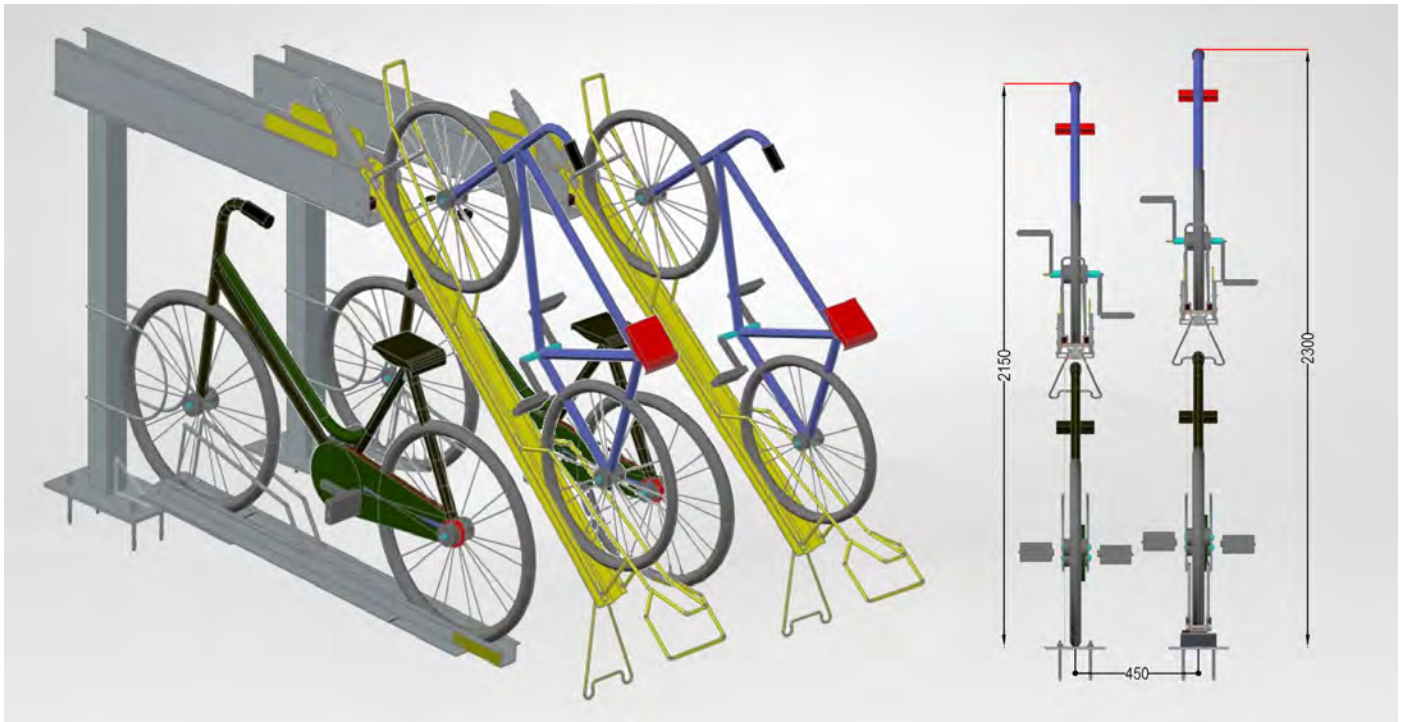
CUSTOM STYLE DOUBLE TIER



CUSTOM STYLE STAGGERED TIER



For when space is very limited we have our custom style staggered tier range. Usually we allow at least a 600mm gap between each rack to make sure neighboring bicycles do not collide, but using our staggered system you are able to shorten that gap to 450mm! By subsequently altering the height of rack to differ from the last, we can have each bicycle closer together without danger of them colliding.



CS – Staggered Tier Bicycle Rack

Model: AZ Double Tier Staggered System

Installation: Floor Fixed

Height: 2150/2300 mm (with bicycle)

Length: 1912 mm (Top Tier up)

SPECIFICATION
&
WARRANTY



SPECS & WARRANTY

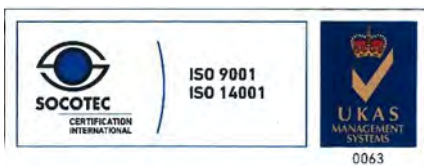
AZ 2 Tier Bicycle Rack stand requires a minimum of 2.3 meters of clear headroom (650 apart from C2C). 2.6 meters headroom allows the decks to be closer together and thus allows higher capacity. 2.5 meters of access is required in front of units.

The steel material of our racks is Hot-dip Galvanized steel to BS ISO EN 1461:1999 or equivalent. The finish is a Polyester powder coating for anti-rust.

Double Tier racks have all been tested to 100,000 cycles by TUV SUD PSB, Singapore. Even at 100,000 times of pulling and returning of the second-tier, there were no visible damages observed. TÜV SÜD PSB is accredited under the Singapore Accreditation Council Singapore Laboratory Accreditation (SAC-Singlas) Scheme to ISO/IEC Guide 25 (ISO/IEC 17025) and ISO Guide 65.

All HILTI expansion bolts used with our racks are approved by LTA, specifications can be furnished upon request.

All bicycle racks are provided with a one year warranty against manufacturing defects.





ADORZ

ALLIANCZ INTERNATIONAL PTE LTD

PRODUCT CATALOGUE



Alliancz International Pte Ltd

Disclaimer

Information in this catalogue is correct at the time of printing and valid but may be subject to change.

This material does not purport to constitute legal or professional advice. Allianz accepts no responsibility for and makes no representations, whether express or implied, as to the accuracy or reliability in any respect of any material in this publication. Except to the extent mandated otherwise by legislation, Allianz does not accept responsibility for the consequences of any reliance which may be placed on this material by any person.

Allianz will not be liable to you or to any other person for any loss or damage (including direct, consequential or economic loss or damage) however caused and whether by negligence or otherwise which may result directly or indirectly from the use of this publication.

Copyright Allianz International
© Allianz International 2018.

Except as permitted by the Copyright Act, this material may not be reproduced, stored or transmitted without the permission of the copyright owner. All enquiries must be directed to Allianz International.

Published by Allianz International 2018.

CONTENTS PAGE

ADORS METAL	4
ADORS METAL PROJECT HIGHLIGHTS	7
MATERIALS AND FINISHES	10
ADORS TIMBER	11
ADORS TIMBER PROJECT HIGHLIGHTS	14
MATERIALS AND FINISHES	18
FIRE RATING	20
ACOUSTIC RATING	22



ADORZ
METAL

ADORZ METAL

Alliancz International is dedicated to the design and manufacture of high quality steel doors with an emphasis on safety and reliability. Whether that safety be the locking function, radiation protection or the fire rating, ADORZ is your trusted brand in longevity and reliability. With STC options also available, as well as an extensive international and local project portfolio, ADORZ can provide you with a peace of mind solution for all of your metal door needs.

Alliancz International provides you with more than a range of metal doors, but a range of doors that come with complete ironmongery and security solutions, a One-Stop Shop. Usually separate people and companies handle doors and the accompanying ironmongeries, which can lead to confusion and mistakes. Alliancz however strives to make this process as seamless as possible, providing a whole range of ironmongery perfectly suited to ADORZ with a wide range of security levels available. This is especially important when fire ratings and STC ratings are required as this increases the weight of the door. Furthermore, the ironmongery must also be fire rated to match level of the door. All our door testing's are completed with our compatible ironmongery, so you can be sure your entire door package is a secure and sustainable choice.



Fire safety is an issue of major importance in all aspects of construction. Doors are no exception, having a fire rated door at your emergency exits and making sure it provides enough time for everyone to exit can save lives. For this reason ADORZ takes fire safety very seriously, which is why our metal doors are tested up to 4 hours fire rated.



STC (Sound Transmission Class) Ratings refer to the sound proof rating of a door or panel. Theatres, schools, galleries and government buildings are just some of the places that have a requirement for doors to be STC rated (soundproofed). Our STC ratings for our metal doors range from



We also specialize in **X-Ray or "Lead Lined" Doors**. These specialist metal door are ideally suited to sterile environments such as hospitals or labs where hygiene is very important. As the name suggests, the door is lined with lead sheeting, which varies in thickness, and effectively blocks radiation in all directions, a very important requirement in rooms with X-ray machines.

ADORZ METAL PROJECT HIGHLIGHTS

An important thing to remember is that even with all these special fire ratings and sound proofing, doors still need to be secure and provide safety in many numbers of ways.

ADORZ metal has been installed throughout Singapore, including, but not limited to:



76 Shenton Way



Singapore University of Technology and Design



One Balmoral Singapore

Supply and install both timber and metal door

MATERIALS AND FINISHES

Our metal doors are made using Electro Galvanised Steel. The electro galvanizing process consists of a layer of zinc bonded to steel with the aid of the electroplating, which strengthens the steel without making it too thick and heavy. There are then two finishing options to choose from:



Paint (Primer): Before painting, primer is used as an undercoat, which provides better adhesion of paint to the surface of the door, increases durability and provides further protection for the metal door. Colour of the paint used changes for each project and can be customized to suit the needs of any opening.



Powder Coating: Our powder coat provides a coat that is harder than paint and provides substantial protection, while also giving the surface of the door a flush finish.

ADORZ
TIMBER





ADORZ

TIMBER

Doors have a diverse range of usage and applications, from the simple needs of a bedroom door to the complex, safety focused requirements of an industrial door. This diverse range calls for great expertise not only in choosing the right door panel, but the right material, the right frame, the right installation method, and of course the right accompanying ironmongery.

Usually these crucial elements are all handled by different people and companies, causing confusion and leading to mistakes, but we at Alliancz International pride ourselves on our extensive knowledge of doors and ironmongery, as one neat, organized package. A One-Stop Shop.

Our ADORZ brand is built on this knowledge, and provides you with a solution that will go above and beyond your needs. ADORZ has an extensive range of timber doors, which can be fire proofed and STC rated (sound proofed). To continue our commitment to a greener future, we also have an Ecoboard range which prioritizes eco friendly materials, while providing a sturdy, resilient door panel. On top of this our doors are resistant to both termites and warping, while also having high thermal insulation.

Boasting a range of veneer and laminate finishes, ADORZ does not forget that the beauty of the door is one of the most important factors. Our range is highly customizable and puts your needs first.

Please contact us to see our wide range of finishing options.

ADORZ TIMBER PROJECT HIGHLIGHTS

ADORZ timber has been installed throughout Singapore, including, but not limited to:



UIC Redevelopment (V on Shenton)



10 Jalan Tanjong



Echelon Condominium at Alexandra



German European School Singapore

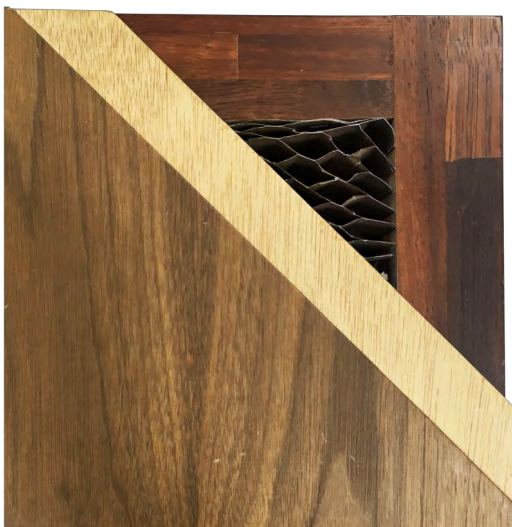


QBAY Residence

MATERIALS AND FINISHES

Range of hollow & solid core doors with a huge variety of finishes and styles. With hundred of options available you're sure to find the perfect match for your door. Check out our range below, and please give us a call if you would like to see more!

HOLLOW CORE/ SEMI-SOLID CORE



A great option for lighter wooden doors that do not require a high level of fire or sound proofing.



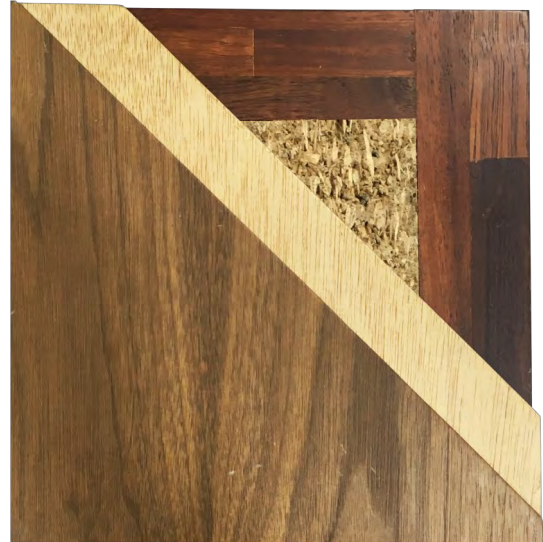
Honeycomb

SOLID CORE

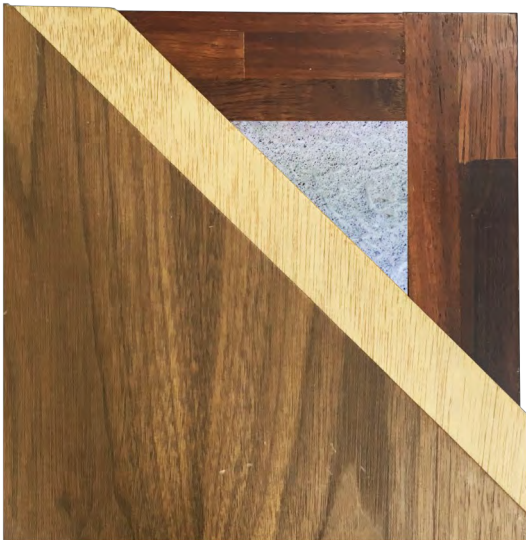
Eco board - Our Green Label Certified core, resilient to termites and wear.



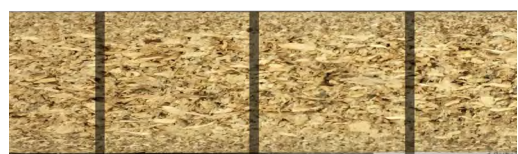
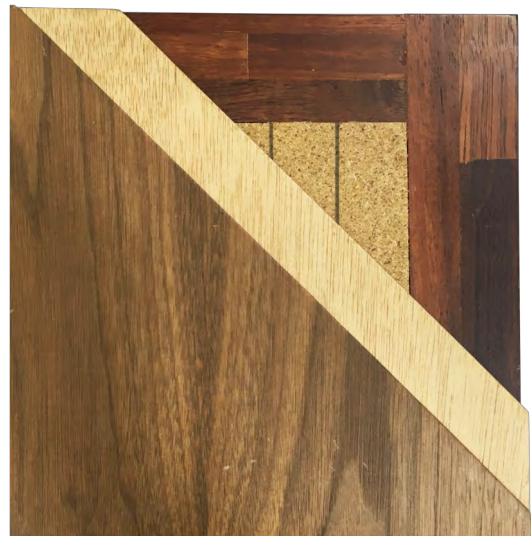
Particle Board - A solid core with great STC and fire rated properties



Fenlite Core - Our heavy duty core capable of up to 2 HRs fire rating and 56S.



Pine Softwood





FIRE RATING

Fire Safety is the top priority in door safety, a fire escape route is only as effective as the fire rated door protecting it, which is why we go the extra mile to ensure all fire safety needs are met. We have rigorously tested all of our cores and door types to find the most effective solution for you and your safety requirements.



1 HR FIRE RATED DOUBLE LEAF TIMBER DOOR

KAMPONG ADMIRALTY



NR (No Fire Rating)

Tubular Chipboard & Honeycomb



2HR Fire Rating

Fenlite Core—Door thickness will be approximately 60mm



0.5HR Fire Rating

Particle Board & Fenlite Core -
Door thickness will be set at approximately 45mm



4HR Fire Rating

*Only available in our metal door range



1HR Fire Rating

Fenlite Core—Door thickness will be approximately 47mm

Another important factor for all doors is that as fire ratings increase and the door thickness increases, the weight of the door also increases. This means that the ironmongery used in conjunction with the door panel has to be able to support the increasing weight of the door. This is why Alliancz International provides a complete set of both doors and ironmongery, to ensure that not only your door is safe, but the entire door system.

*Please refer to our metal door catalogue for more information on 4HR fire ratings.



ACOUSTIC RATING



STC 40 ONE & HALF LEAF TIMBER DOOR

KAMPONG ADMIRALTY

Acoustic Rating (or STC Rating) refers to a doors ability to block out sound from outside, through the use of effective solid cores and acoustic seals around the edges of the door panel to connect to the door frame. These doors are especially important for areas where absolute silence is important, such as auditoriums, school exam rooms, and government buildings. Alliancz provides full STC solutions that utilize both door cores and seals, with a variety of ratings depending on project requirements.

For STC doors there are a variety of Fire rating/STC combinations depending on your needs, please refer to the table below, or get in contact with us for more information.

ACOUSTIC RATING	FIRE RATING	PANEL THK	CORE MATERIAL
STC33	FAD	64mm	Particle Board
STC35	FAD	64mm	Particle Board
STC39	1HR	64mm	Particle Board/Fenlite Core
STC40	1HR	64mm	Particle Board
STC45	1HR	93mm	Fenlite Core
STC53	1HR	103mm	Fenlite Core
STC56	1HR	160mm	Fenlite Core



ALLIANCZ INTERNATIONAL PTE LTD

PRODUCT CATALOGUE



Alliancz International Pte Ltd

Disclaimer

Information in this catalogue is correct at the time of printing and valid but may be subject to change.

This material does not purport to constitute legal or professional advice. Allianz accepts no responsibility for and makes no representations, whether express or implied, as to the accuracy or reliability in any respect of any material in this publication. Except to the extent mandated otherwise by legislation, Allianz does not accept responsibility for the consequences of any reliance which may be placed on this material by any person.

Allianz will not be liable to you or to any other person for any loss or damage (including direct, consequential or economic loss or damage) however caused and whether by negligence or otherwise which may result directly or indirectly from the use of this publication.

Copyright Allianz International
© Allianz International 2018.

Except as permitted by the Copyright Act, this material may not be reproduced, stored or transmitted without the permission of the copyright owner. All enquiries must be directed to Allianz International.

Published by Allianz International 2018.

CONTENT PAGE

WHAT IS AZIRONMONGERY?	5
WHY CHOOSE AZIRONMONGERY?	5
BENEFITS	6
ONE SINGLE KEY	7
AZIRONMONGERY MORTISE LOCK CATALOGUE	8
AZIRONMONGERY HINGES CATALOGUE	13
AZIRONMONGERY CYLINDER CATALOGUE	16
AZIRONMONGERY DOOR STOPPERS CATALOGUE	20
AZIRONMONGERY DOOR CLOSERS CATALOGUE	24
AZ IRONMONGERY DOOR CLOSER ACCESSORIES	31
AZIRONMONGERY FLUSH BOLTS CATALOGUE	33
AZIRONMONGERY GLASSDOOR HARDWARE CATALOGUE	36
AZIRONMONGERY DOOR ACCESSORIES CATALOGUE	38
AZIRONMONGERY PULL HANDLE CATALOGUE	42

WHAT IS AZIRONMONGERY?

AZIronmongery is an in-house developed security system brand that plays an intrinsic role in regional security technology. Alliancz International primarily focuses on supplying premium security solutions to our customers at affordable prices, in both commercial and residential projects. At Alliancz International we aim to work cohesively on each project undertaken and provide a customised solution.

WHY CHOOSE AZIRONMONGERY?

Our core brand values are security, dependability and innovation. With an established reputation that stems almost a decade long supplying security systems; AZIronmongery have since become the preferred security system provider among a myriad of prestigious hotel operators and developers.

AZIronmongery select the ideal security system to suit individual project based needs, with a wide variety of products including door stops, handles and additional accessories to compliment.



BENEFITS

- One stop shop for both Ironmongery and door solutions
- Preferred solution
- Suitable for commercial and residential projects
- Value for money packages
- Continual dedication to develop new and innovative solutions
- Customisable designs

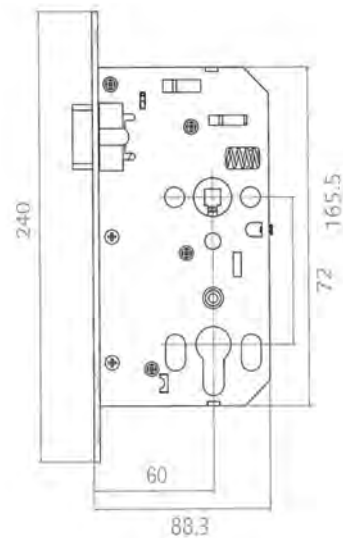
AZIRONMONGERY
MORTISE LOCK
CATALOGUE



The mortise lock body is the backbone of door security, it is what combines the cylinder, lock and handle functions into a secure, door locking solution. But of course not one size fits all, so we offer a wide range of mortise lock bodies that provide a wide variety of security at different levels. All of our mortise locks comply with SS:332 fire safety compliance.

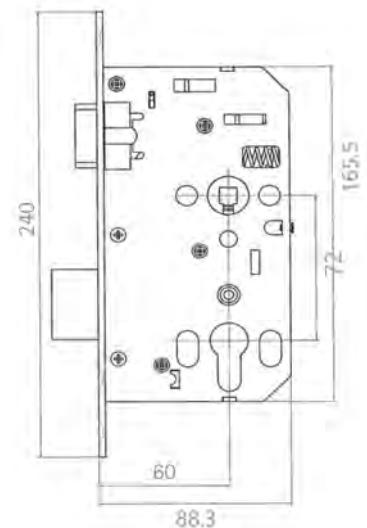
AZ 7005/60 NIGHTLATCH

Locks the door upon closing, can be opened from the inside, key required on the outside. Standard dimensions, complete with strike plate (universal for left and right handed doors) and box as standard.



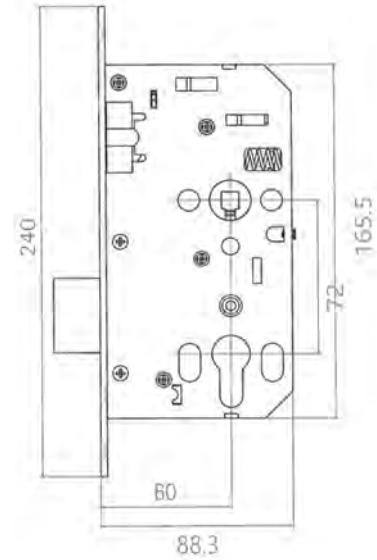
AZ 7003/60 SASHLOCK

Deadbolt and latch incorporated into the same lock case. Latch operated by handle, deadbolt operated by key and/or thumb turn. Can be used with any range of AZ cylinders for a range of locking options.



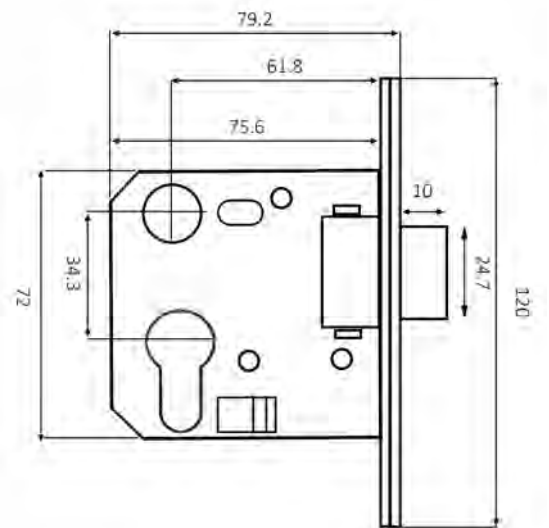
AZ 7020/60 DEADLOCK

Heavy duty mortise lock for ultimate security. Double throw deadlock withstanding up to 490DaN. Standard Dimensions, complete with strike plate (universal for left and right handed doors) and box as standard.



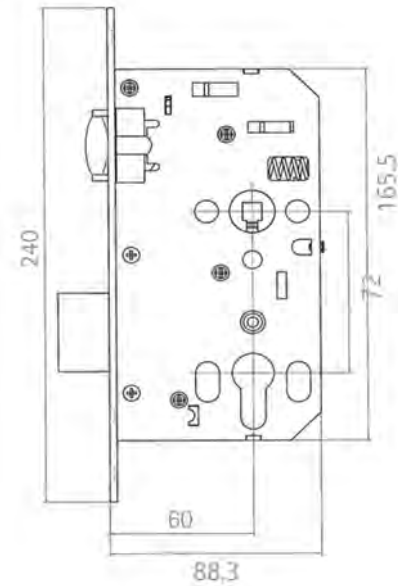
AZ 3213/60 NIGHTLATCH

Medium size modified to be used for smaller doors such as riser and toilet doors, the smaller size allows it to easily suit any smaller door and smaller cylinders, while also providing the same level of security.



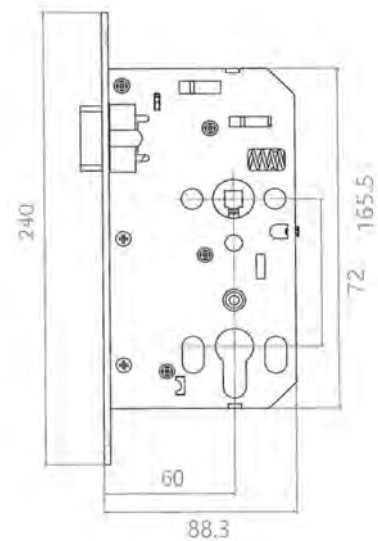
AZ 7521/60 ROLLER LOCK

Roller bolt allowing for even smoother pull and push function when operating door.
 Deadlock for maximum security.



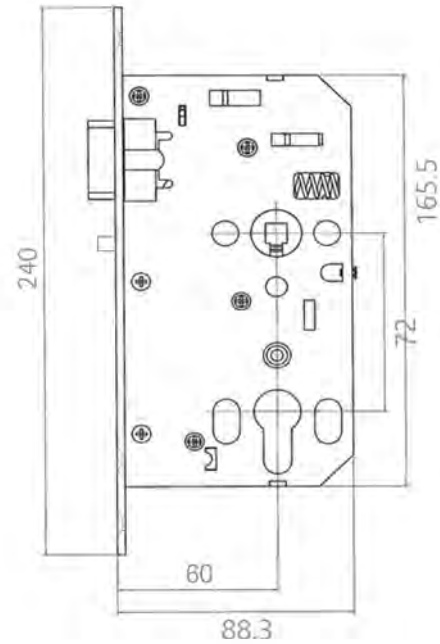
AZ 7001/60 PASSAGE LOCK

The passage lock has no deadbolt and does not require a cylinder for any locking, it is always free on both side and simply requires a handle on each side for latch operation.



AZ 7037/60 CLASSROOM

Latch bolt retracted by handle or knob, inside is always free (to escape) however key outside lock & unlock latch). This is perfect for allowing people inside to leave care-free, but provides security by requiring a key to enter. This lock is also sometimes referred to as mechanical time lock as it can convert to a passage mode when required.



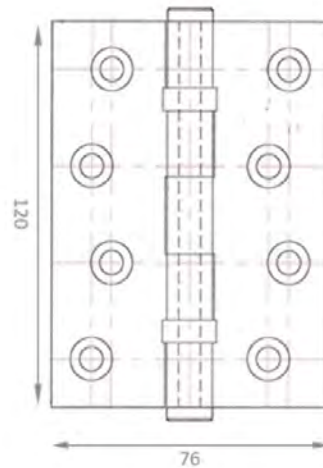
AZIRONMONGERY
HINGES
CATALOGUE



Although considered a simple component of any door, the hinge is one of the most important components of all door hardware. A high security door that falls off it's hinges is not very effective, which is why it is so important to choose the right hinge to suit your needs. Factors like door weight, height, core type, function and swing direction all play pivotal roles in deciding which hinge is the right one for the job. And then you can start to consider exposed vs. concealed! If you need any assistance to understand your needs better, please do not hesitate to contact us.

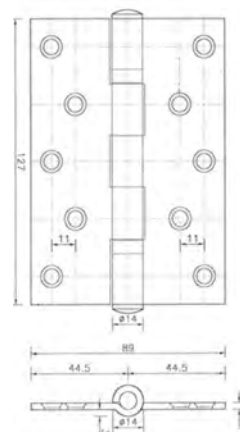
Size: 102X76X2mm 2BB SS Hinge

Finish: Available in SSS, SS304 and SS316. SS332 Standard



Size: 127X89X3mm 2BB SS Hinge

Finish: Available in SSS, SS304 and SS316. SS332 Standard





Size: 152X100X4mm 4BB SS Hinge

Finish: Available in SSS, SS304 and SS316.

SS332 Standard



CC1900 Heavy Duty Concealed Pivot Hinge

SS332 Standard



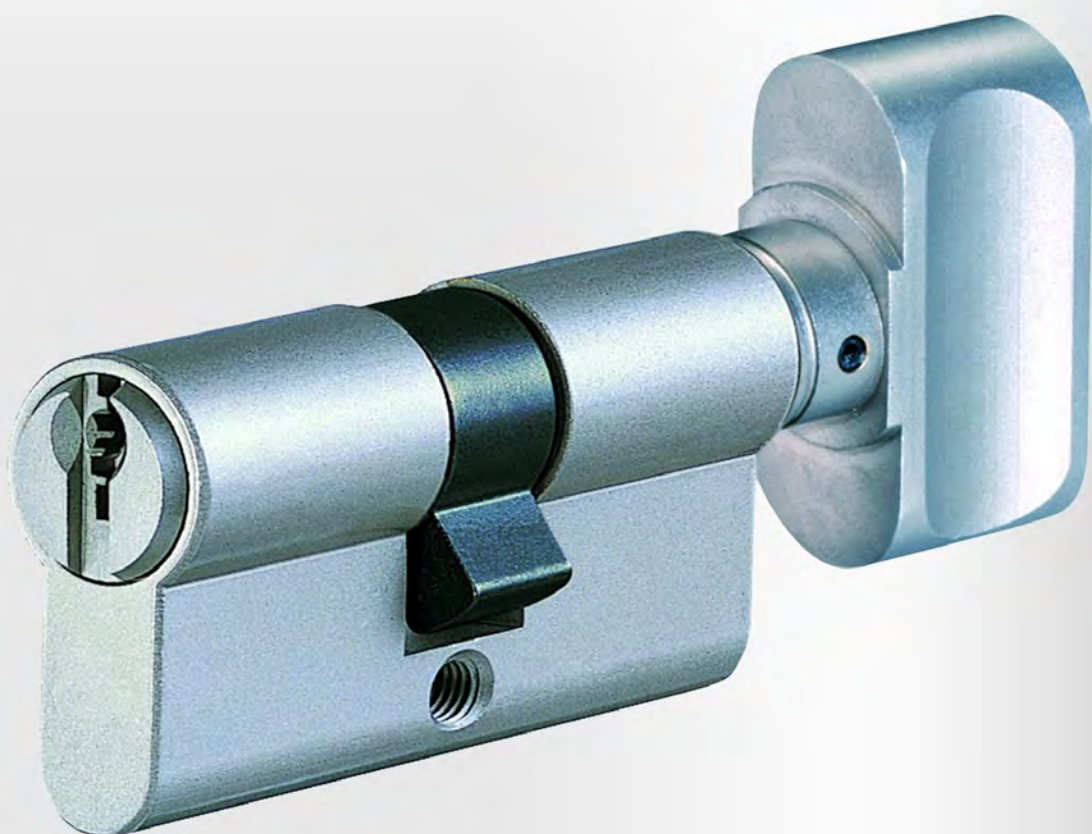
ZA Concealed Hinge

Available in a variety of sizes

SS332 Standard

Article No.	SIZE (LxWxT)
ZA-CH03	13x44.5
ZA-CH04	13.60
ZA-CH05	16x70
ZA-CH06	19x95
ZA-CH07	25x117.5
ZA-CH08	28.5x117.5
ZA-CH09	35x140

AZIRONMONGERY
CYLINDERS
CATALOGUE



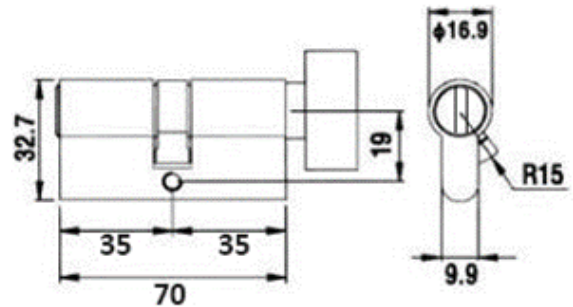
AZIronmongery provides a complete range of cylinders which can be used with our lock bodies and lever handles to make a complete locking set for your door. Our cylinders provide a variety of security levels, as well as varying designs to suit different types of doors.

All cylinders are available in longer lengths up to 110mm (with a 5mm extension on each side), for thicker doors.

AZ 212.70 PRIVACY CYLINDER



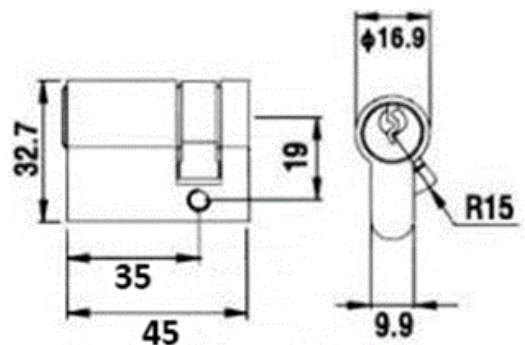
Thumb turn inside, coin slot outside. Smooth retraction of deadbolt with active thumb turn in side.



AZ 210.45 SINGLE CYLINDER



Single cylinders only provide access from one side of the door, with the keyhole exposed on the active side. These cylinders are ideal for doors such as closets or risers, when the inside does not require a separate function.

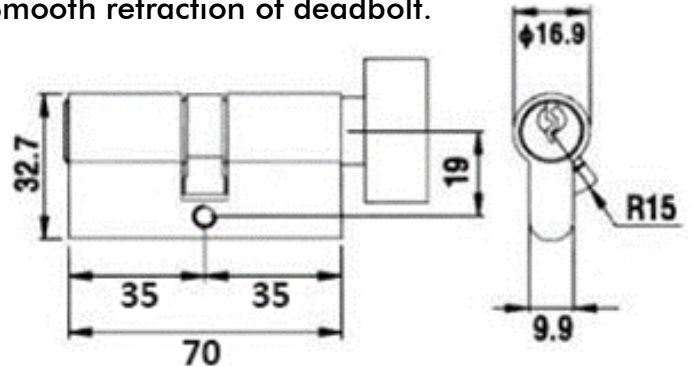


AZ 215.70 THUMBTURN CYLINDER



Key hole outside and thumb turn inside allows maximum security coupled with convenience.

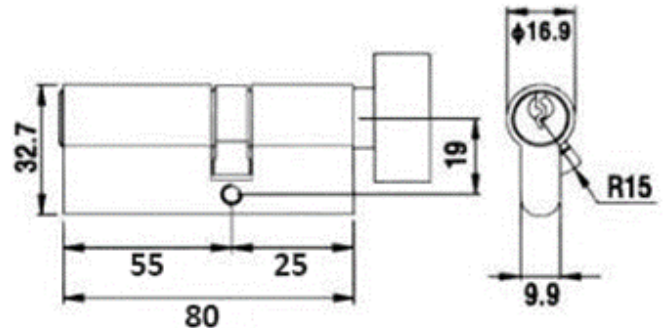
Smooth retraction of deadbolt.



AZ 55/25 OFFSET KEY CYLINDER



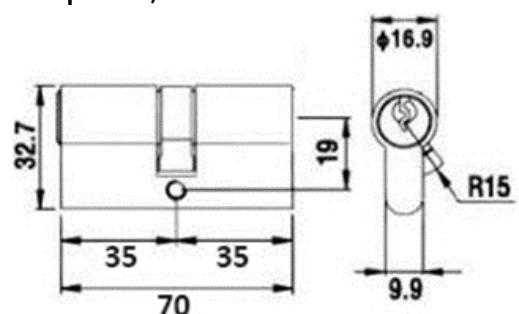
Offset cylinder with extended length allows for the cylinder to work even in fire proof or sound proof doors, which are much thicker.



AZ 310.70 DOUBLE CYLINDER



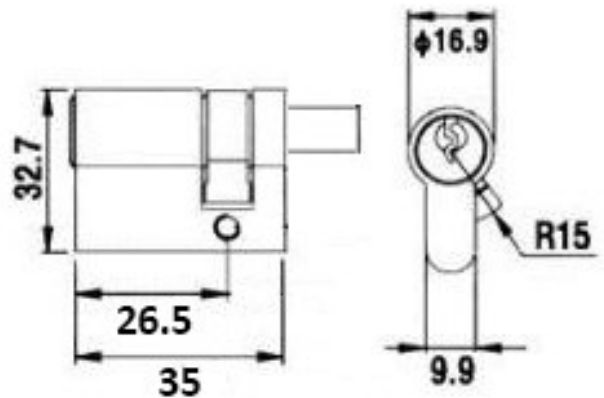
Key required on both sides of cylinder, used on doors with glass panels so if they glass is broken a key is still required,



AZ 26.5MM HALF CYLINDER



Our half cylinder is specially designed for especially thin doors and smaller lock areas. At only 26.5mm it is a single sided cylinder only showing a keyhole on the outside of the door. Perfect for closets and sliding doors.

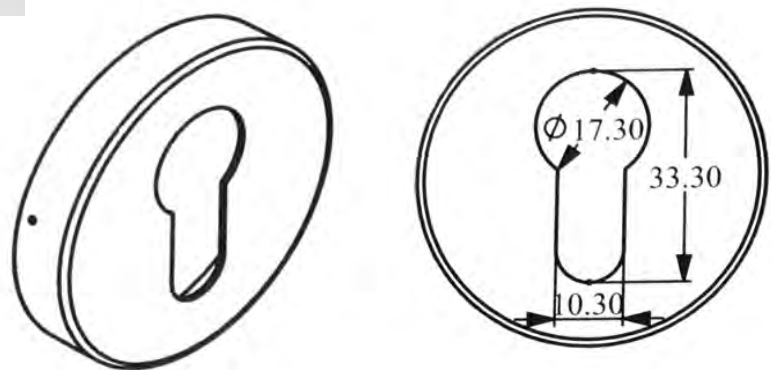


8MM ESCUTCHEON



The escutcheon provides a flush finish for all Euro profile cylinders, our 8mm escutcheons can be produced in SS304 or SS316, and are perfectly suited to all AZIronmongery cylinders.

Other thicknesses of 4 to 10mm are also available upon request.



AZIRONMONGERY
DOOR
STOPPERS
CATALOGUE



DS632 SN DOME SHAPE DOOR STOP



This ergonomically shaped door stop is perfect for a flush finish on your floor. The rubber pad creates a gentle cushion for your door but provides sturdy resistance if the door is thrown open. Can also be installed on the roof for full length swivel doors.

DH005SS FLOOR MOUNTED DOOR STOPPER



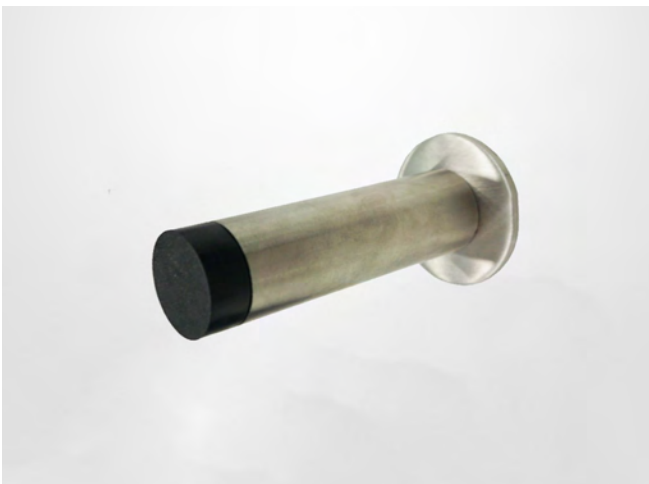
DH005SS is our rubber ring design. The steel pole look gives a polished, industrial design look while its secure floor mounting provides support for a variety of doors.

DH223 FLOOR STOPPER



A more simplified design than the DH005, the DS223 boasts a large rubber cylinder on a minimalist steel base.

DH022 WALL STOPPER



A simple, sturdy wall stopper which can be installed on any wall surface perpendicular to the door opening. This can be installed either low on the wall or higher depending on the requirements.

DH-024 WALL STOPPER WITH HOOK



This wall stopper comes with a hook for hats, bags, coats and any other hanging items. Perfect for bathroom doors both in private and public use.

DH-038 CONCEALED DOOR STOPPER



Our concealed closer is installed at the top of the door frame rather than the bottom, providing a hidden yet equally effective door stopping method.

047SN MAGNETIC DOOR CLOSER



Magnetic door closers are perfect for areas you wish to keep open for long periods of time.

*AZIRONMONGERY
DOOR CLOSERS
CATALOGUE*



723BC DOOR CLOSER



Closing Force—Spring Strength (EN)	Fixed Size from 2 to 4
Application	Non-handed
Standard Installation Door Width	850mm to 1100mm
Maximum Door Weight	80kg
Arm Type—Standard	Snap On
Closing Speed Angle	15 - 180 degrees. Adjustable
Latching Speed Angle	0 - 15 degrees. Adjustable
Door Opening Angle	180 degrees
Back Check	Optional / Adjustable
Dimensions	L=207mm, H=55mm, Projection=40mm

Technical Data	EN2	EN3	EN4
Max. Door Width	850	950	1100
Max. Door Weight	35	60	80

930BC DOOR CLOSER



Closing Force—Spring Strength (EN)	Adjustable spring power from 2—5
Application	Non-Handed
Standard Installation Door Width	850mm to 1250mm
Maximum Door Weight	110kg
Arm Type—Standard	Forged snap on
Closing Speed Angle	15—180 degrees. Adjustable
Latching Speed Angle	0—15 degrees. Adjustable
Door Opening Angle	180 degrees.
Back Check	Adjustable
Dimensions	L=236mm, H=60mm, Projection=38.5mm

Technical Data	EN2	EN3	EN4	EN5
Max. Door Width	850	950	1100	1250
Max. Door Weight	45	60	90	110

930BC HEAVY DUTY



Closing Force—Spring Strength (EN)	Adjustable spring power from 2—6
Application	Non-Handed
Standard Installation Door Width	850mm to 1400mm
Maximum Door Weight	150kg
Arm Type—Standard	Forged snap on
Closing Speed Angle	15—180 degrees. Adjustable
Latching Speed Angle	0—15 degrees. Adjustable
Door Opening Angle	180 degrees.
Back Check	Adjustable
Dimensions	L=275mm, H=62mm, Projection=45mm

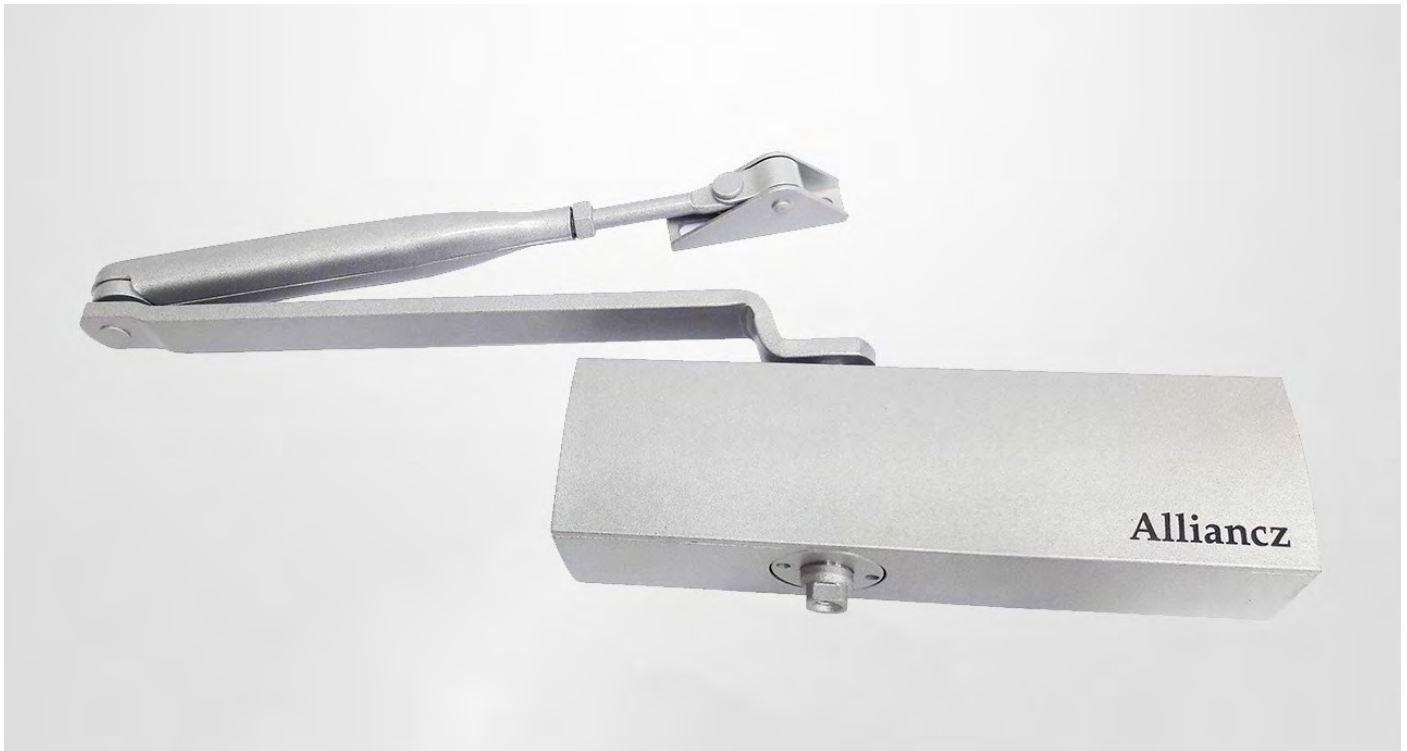
Technical Data	EN2	EN3	EN4	EN5	EN6
Max. Door Width	850	950	1100	1250	1400
Max. Door Weight	45	60	90	110	150

788BC



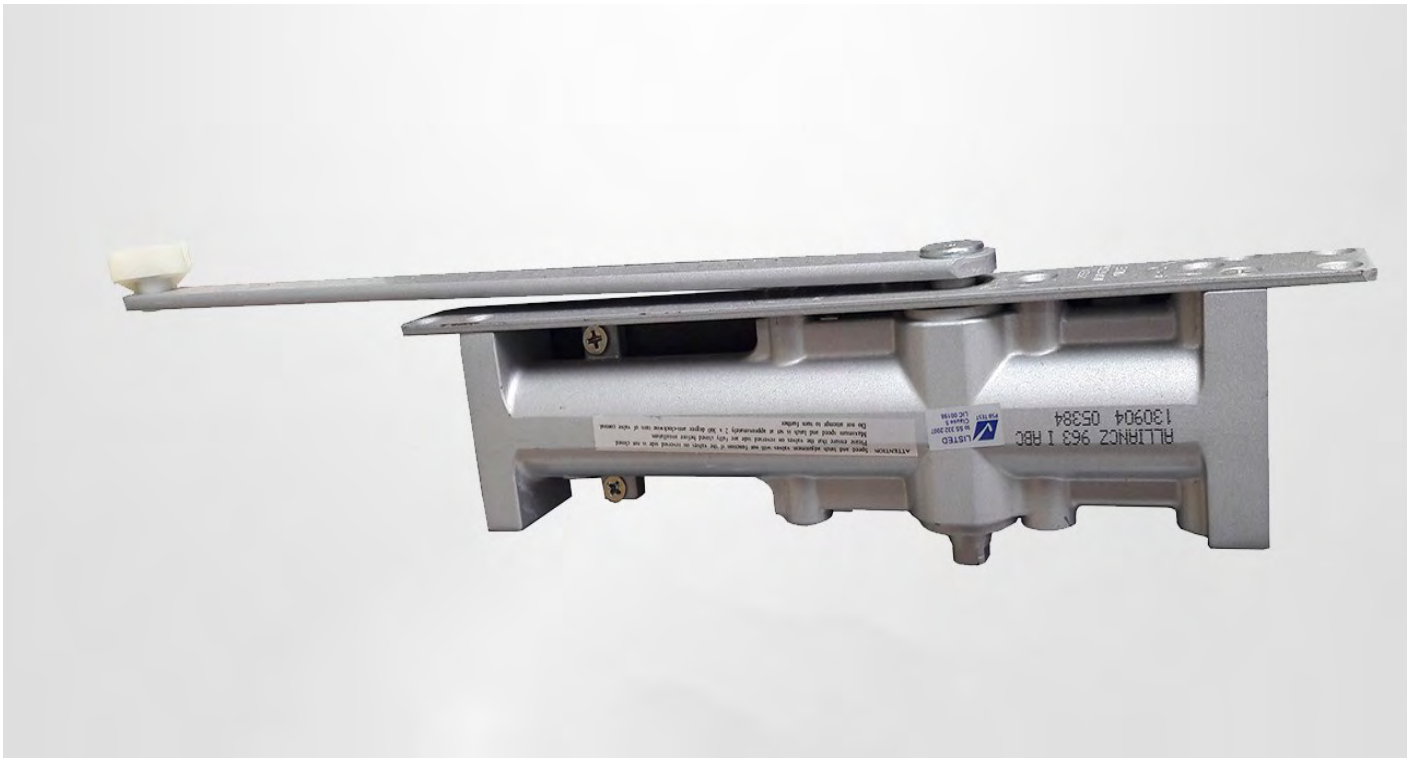
Closing Force—Spring Strength (EN)	3 EN
Application	Non-Handed
Standard Installation Door Width	900mm to 950mm
Maximum Door Weight	
Arm Type—Standard	Forged snap on
Closing Speed Angle	15—180 degrees. Adjustable
Latching Speed Angle	0—15 degrees. Adjustable
Door Opening Angle	180 degrees.
Back Check	Adjustable
Dimensions	L=148mm, H=57mm, Projection=37.5mm

988BC



Closing Force—Spring Strength (EN)	3 EN
Application	Non-Handed
Standard Installation Door Width	900mm to 950mm
Maximum Door Weight	
Arm Type—Standard	Forged snap on
Closing Speed Angle	15—180 degrees. Adjustable
Latching Speed Angle	0—15 degrees. Adjustable
Door Opening Angle	180 degrees.
Back Check	Adjustable
Dimensions	L=177mm, H=51mm, Projection=38mm

963 CONCEALED DOOR CLOSER



Closing Force—Spring Strength (EN)	Fixed Size from 2 to 4
Application	Non-Handed
Standard Installation Door Width	850mm to 1100mm
Maximum Door Weight	80kg
Arm Type—Standard	Slide Arm
Closing Speed Angle	15—180 degrees. Adjustable
Latching Speed Angle	0—15 degrees. Adjustable
Door Opening Angle	105 degrees.
Back Check	Optional
Dimensions	L=230mm, H=57mm, Projection=32mm

Technical Data	EN2	EN3	EN4
Max. Door Width	850	950	1100
Max. Door Weight	45	60	80

DOOR CLOSER ACCESSORIES



Hold Open Arm

Adjustable arm for exposed door
Standard Finish: Silver Enameled
Optional Finish: SSS, PSS, Bronze & Brass



Hold Open Arm—Forged

Adjustable arm for exposed door
Standard Finish: Silver Enameled
Optional Finish: SSS, PSS, Bronze & Brass



Standard Arm

Standard Arm for exposed closer
Standard Finish: Silver Enameled
Optional Finish: SSS, PSS, Bronze & Brass



Star Arm—Forged

Star Arm for exposed closer

Standard Finish: Silver Enameled

Optional Finish: SSS, PSS, Bronze & Brass



Flat Form Arm

Adjustable arm for exposed doors

Standard Finish: Silver Enameled

Optional Finish: SSS, PSS, Bronze & Brass



Flat Form Star Arm—Forged

Adjustable arm for exposed doors

Standard Finish: Silver Enameled

Optional Finish: SSS, PSS, Bronze & Brass



Slide Arm & Track

Adjustable arm for exposed door

Standard Finish: Silver Enameled

Optional Finish: SSS, PSS, Bronze & Brass

AZIRONMONGERY
FLUSH BOLTS
CATALOGUE



BFB BOXED TYPE FLUSH BOLT



Flush bolts are used on double leaf timber doors when one door is usually kept inactive, the hinges are located on the outside while the flush bolt is installed on the inside to help hold the door in place. Our flush bolts are available in a range of sizes from 200mm—1000mm, to suit all varieties of doors.

EFB EXTENSION FLUSH BOLT



Extension flush bolts are great for both timber and metal doors. Extension flush bolts range from 300 to 1000mm depending on height of door.

PBS AUTO FLUSH BOLT



Most flush bolts require manual locking and unlocking, however with the auto flush bolt the hard work is done for you. Coming a completely boxed system, the auto flush bolt is the easy way to secure your door with none of the stress.

DUST PROOF SOCKET



The dust proof socket is installed as a set with a flush bolt, it is installed in the floor and acts as the socket for the flush bolt to lock into. The mechanical top lid keeps the socket dust free while not in use, deterring any debris from entering the socket and causing internal damage.

*AZIRONMONGERY
GLASSDOOR
HARDWARE
CATALOGUE*



Glass doors are elegant in their appearance, they brighten up a room by letting in natural light, as well as providing options for engraving and frosting. So why spoil this flush design with bulky, unsightly ironmongery? This range of glass door accessories is secure and reliable, while also providing a flush, attractive look to your door. There are both cylinder and electric locking solutions, providing a variety of security levels perfect for a variety of locations. These fittings are great for residential and office use, providing a touch of glamour to your doorway.

TOP & BOTTOM PATCH FITTING



This simple and minimalist fitting utilizes the top and bottom corners of the glass door panel, creating a flush look that leaves the rest of the door clean and minimalist.

CORNER PATCH LOCK



The corner patch lock can be utilized with the patch fittings on the opposite bottom corner of the door to act as the lock for the door.

ELECTRO-MAGNETIC LOCK



The most popular choice for offices and condominiums, the electro magnetic lock is the perfect security solution for your glass door. Instead of using keys, you can use buttons, scanners, or FOB.

AZIRONMONGERY
DOOR
ACCESSORIES
CATALOGUE



WL02 SLIDING HOOK LOCK



This special mortise lock body works with all European Profile Cylinders, and is especially effective when used with sliding doors. The lock works with a double throw function, 1st throw activates the bolt, 2nd throw the top and bottom Bolt.

RECT RECESS W THUMBTURN



This recessed handle works perfectly with our sliding door system and hook lock. By providing a rectangular recess that can be used for pushing and pulling the door, and also making this the space for the thumb turn to be used, this one little handle provides many solutions.

BC002 BALL CATCH



Ball Catch hardware is perfect for doors where a latch is not needed or used. Most commonly used on closet doors, the strike plate will be mounted on the outer frame where the ball will catch, holding the door closed.



Round Recess Escutcheon



Round Recess w Thumbturn



Square Recessed Pull Handle



FH0040 50 x 100mm SS Rectangular Recess Handle



135-60 Rectangular Recess Handle



FH003 SS Oval Recessed Pull



268L SN Edge Pull



EV180 SN Eye Viewer



CH75 Cup Ring Handle



FH0010 Round Recess Handle



DS120 Door Selector

*AZIRONMONGERY
PULL HANDLE
CATALOGUE*





AZ SS "H" STYLE PULL HANDLE

Article No.	Dimensions
SS H HANDLE 600	L= 600mm, D=32mm
SS H HANDLE 650	L= 650mm, D=32mm
SS H HANDLE 800	L= 800mm, D=32mm
SS H HANDLE 1200	L= 1200mm, D=32mm
SS H HANDLE 1500	L= 1500mm, D=32mm
SS H HANDLE 1800	L= 1800mm, D=32mm
SS H HANDLE 2000	L= 2000mm, D=32mm



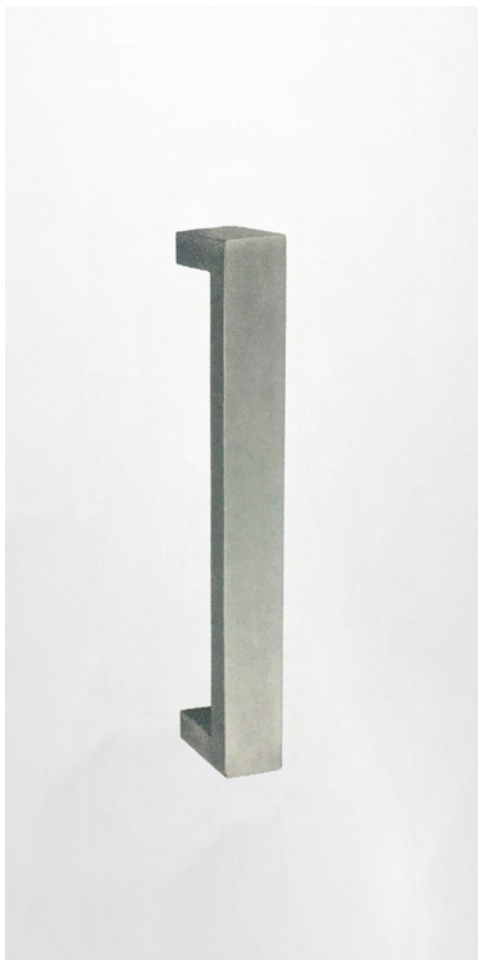
AZ SS "D" STYLE PULL HANDLE

Article No.	Dimensions
SS D HANDLE 225	L= 225mm, D=19mm
SS D HANDLE 650	L= 650mm, D=19mm



HANDICAPPED GRAB BAR

Article No.	Dimensions
HANDICAPPED GRAB BAR	L650mm, D=38mm



PH266 SS PULL HANDLE

Article No.	Dimensions
PH029-30/400	L=400, D= (30x15)
PH029-30/600	L=600, D= (30x15)
PH029-40/500	L=500, D= (40x20)
PH029-40/600	L=600, D= (40x20)
PH029-40/800	L=800, D= (40x20)



PH041 SS PULL HANDLE

Article No.	Dimensions
PH041-20/300	L=300mm, D=(20X10)
PH041-20/400	L=400mm, D=(20X10)
PH041-20/500	L=500mm, D=(20X10)



SS CRANK PULL HANDLE (BTB)

Article No.	Dimensions
CRANK PULL HANDLE	L600mm, D=32mm



PH272 SS PULL HANDLE

Article No.	Dimensions
PH272	L=850mm, D= 106mm



PH452 PULL HANDLE

Article No.	Dimensions
PH452	L=825mm, D=98mm





PH265 SS PULL HANDLE

Article No.	Dimensions
PH265—70	L=530mm, D=70mm
PH265—90	L=600mm, D=90mm



PH266 SS PULL HANDLE

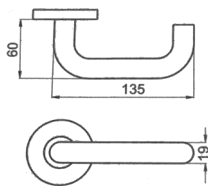
Article No.	Dimensions
PH266	L=475mm, D=86mm

AZIRONMONGERY
LEVER
HANDLES
CATALOGUE

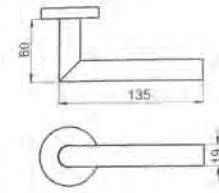




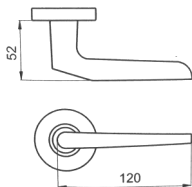
8101 SS LEVER HANDLE



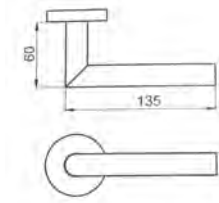
8104 SS LEVER HANDLE



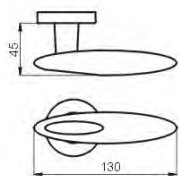
8041 SS LEVER HANDLE



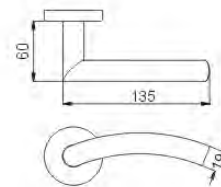
8024 SS LEVER HANDLE



8038 SS LEVER HANDLE

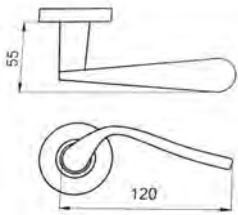


8244N SS LEVER HANDLE

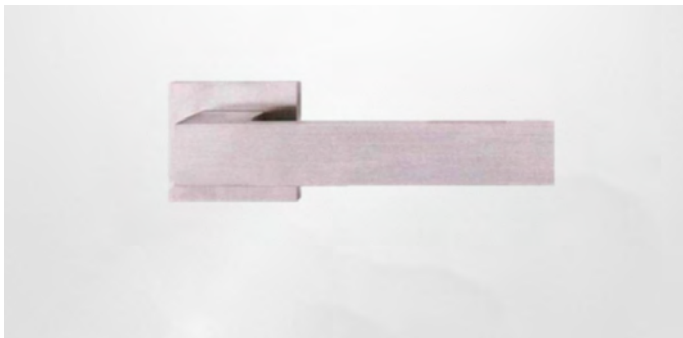
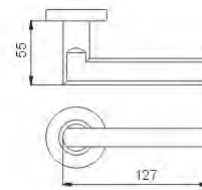




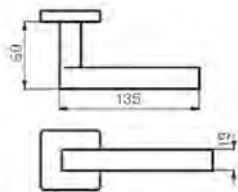
8094 SS LEVER HANDLE



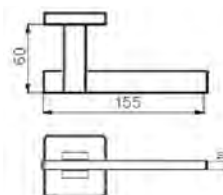
8046 SS LEVER HANDLE



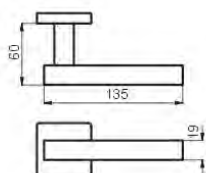
8144 SS LEVER HANDLE



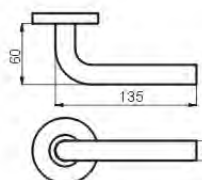
8152 SS LEVER HANDLE



8171 SS LEVER HANDLE

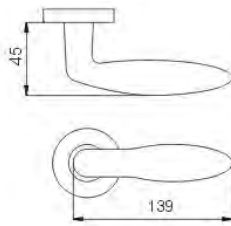


8047N SS LEVER HANDLE





8246 SS LEVER HANDLE



8013 SS LEVER HANDLE



8186 SS LEVER HANDLE



8222 SS LEVER HANDLE



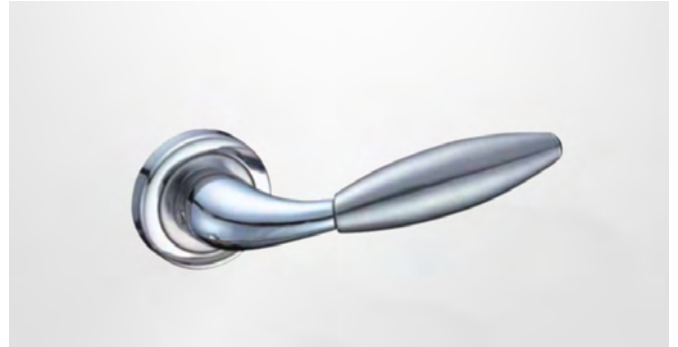
8239 SS LEVER HANDLE



8245 SS LEVER HANDLE



8135 SS LEVER HANDLE



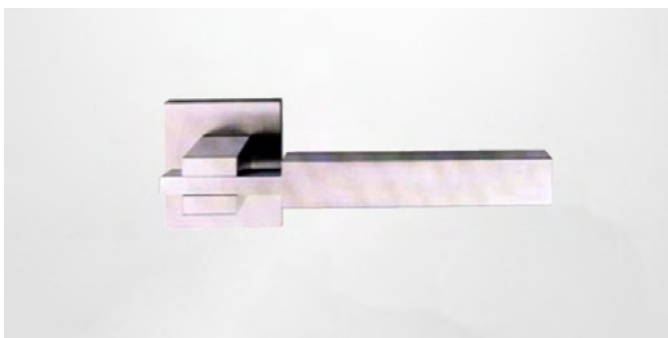
8199N SS LEVER HANDLE



8251 SS LEVER HANDLE



8232N SS LEVER HANDLE



8151 SS LEVER HANDLE



8034 SS LEVER HANDLE



KS74204 LEVER HANDLE



KS79205 LEVER HANDLE



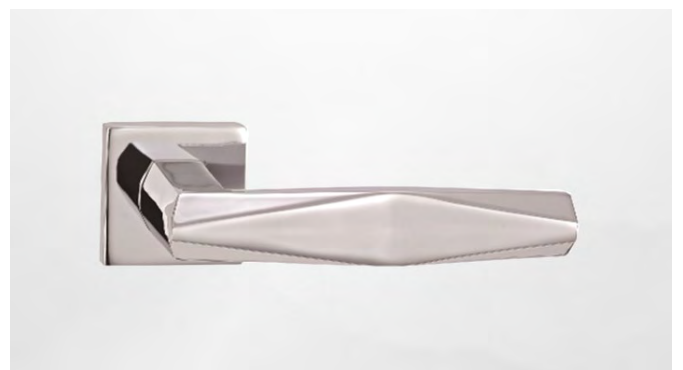
KS79206 LEVER HANDLE



KS79207 LEVER HANDLE



KS74208 LEVER HANDLE



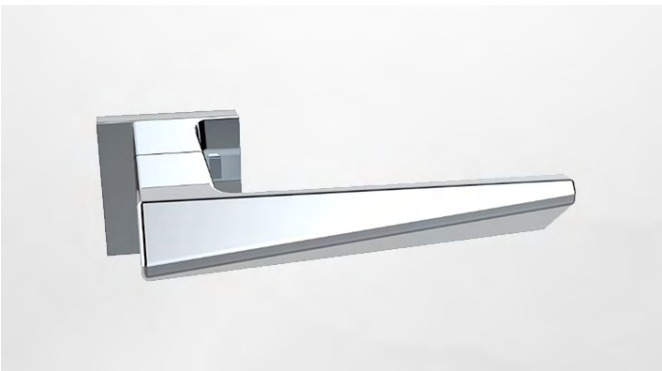
KS79209 LEVER HANDLE



KS74210 LEVER HANDLE



KS74215 LEVER HANDLE



KS79217 LEVER HANDLE



KS79221 LEVER HANDLE



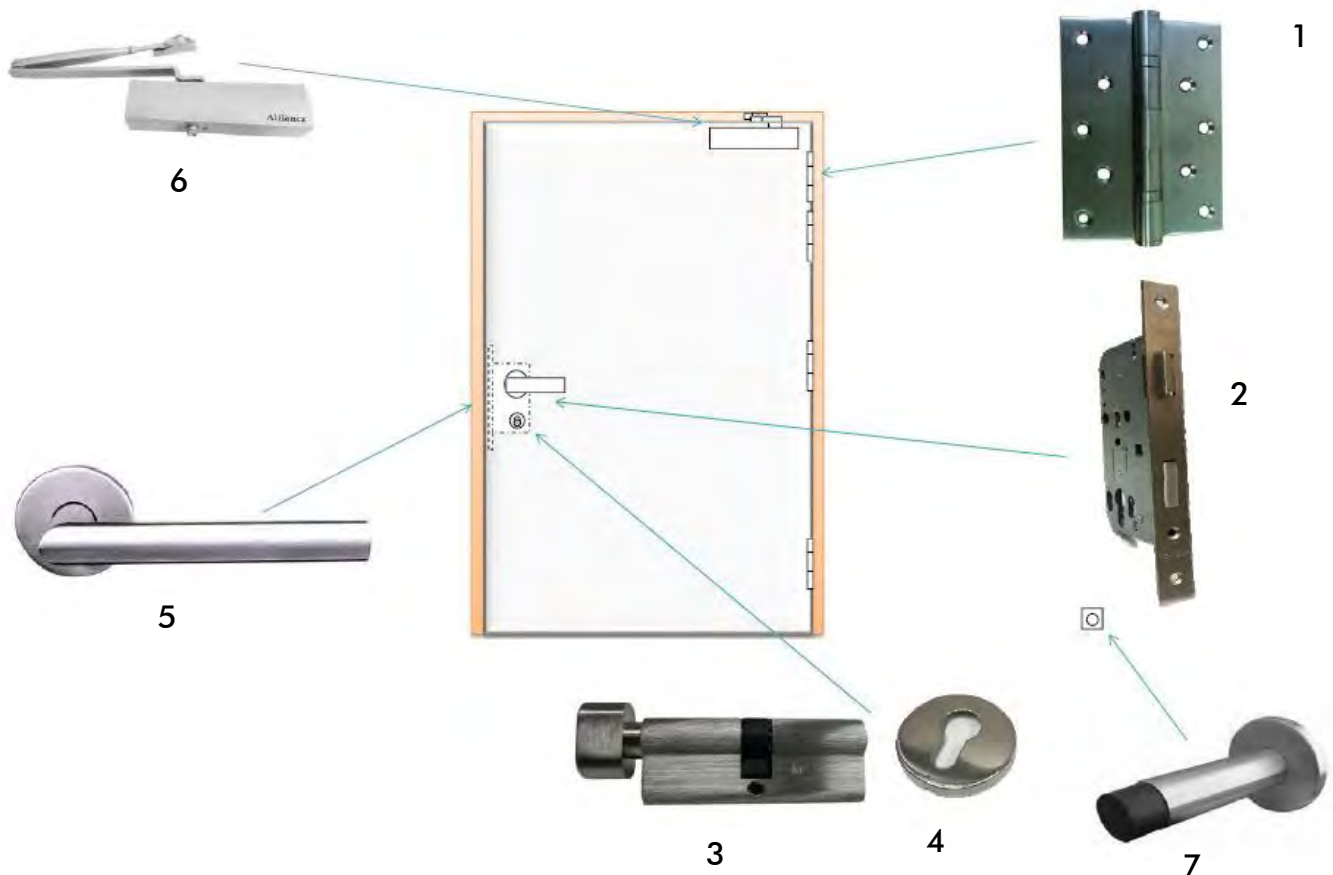
KS79222 LEVER HANDLE



KS74223 LEVER HANDLE

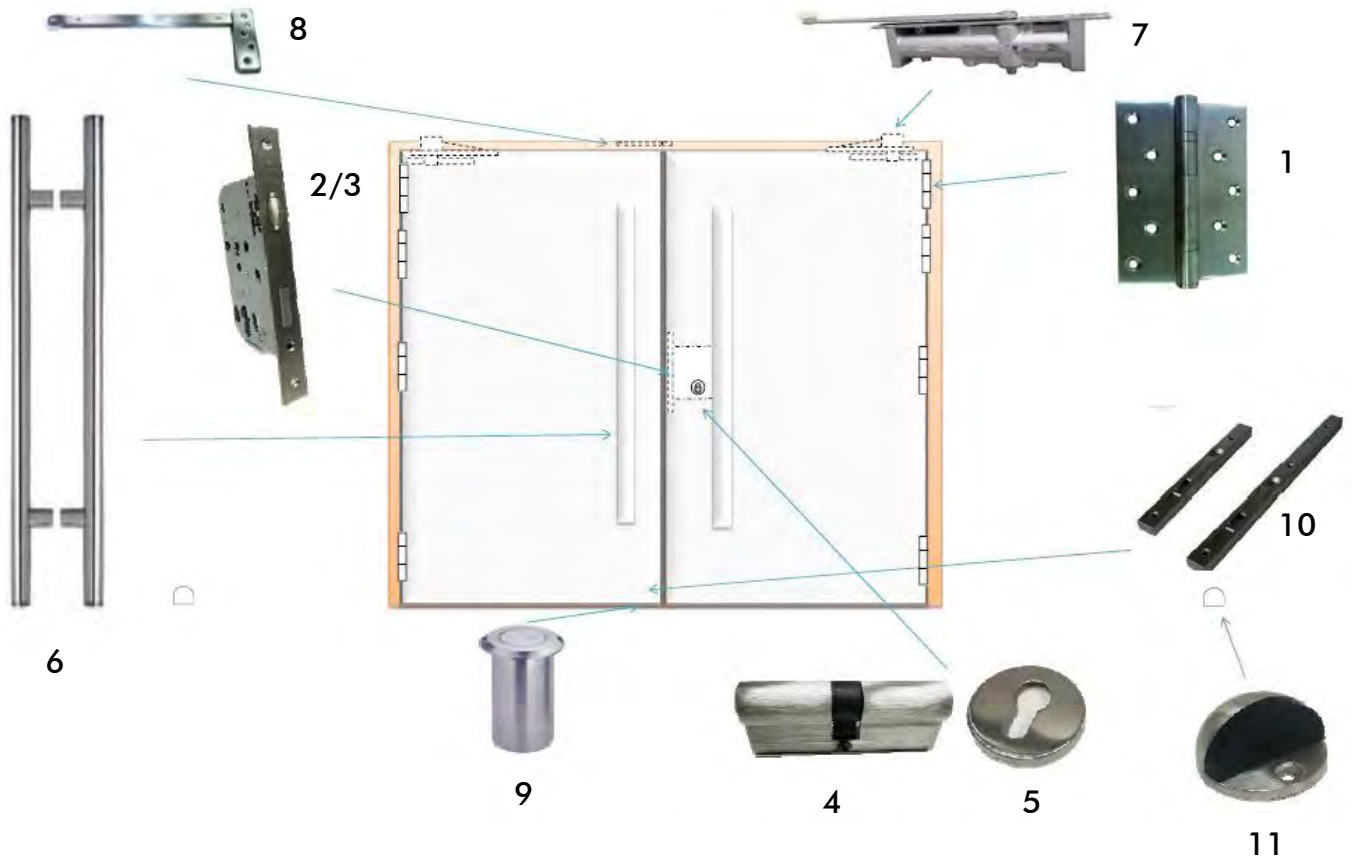
HARDWARE SET

LEVER HANDLE SET



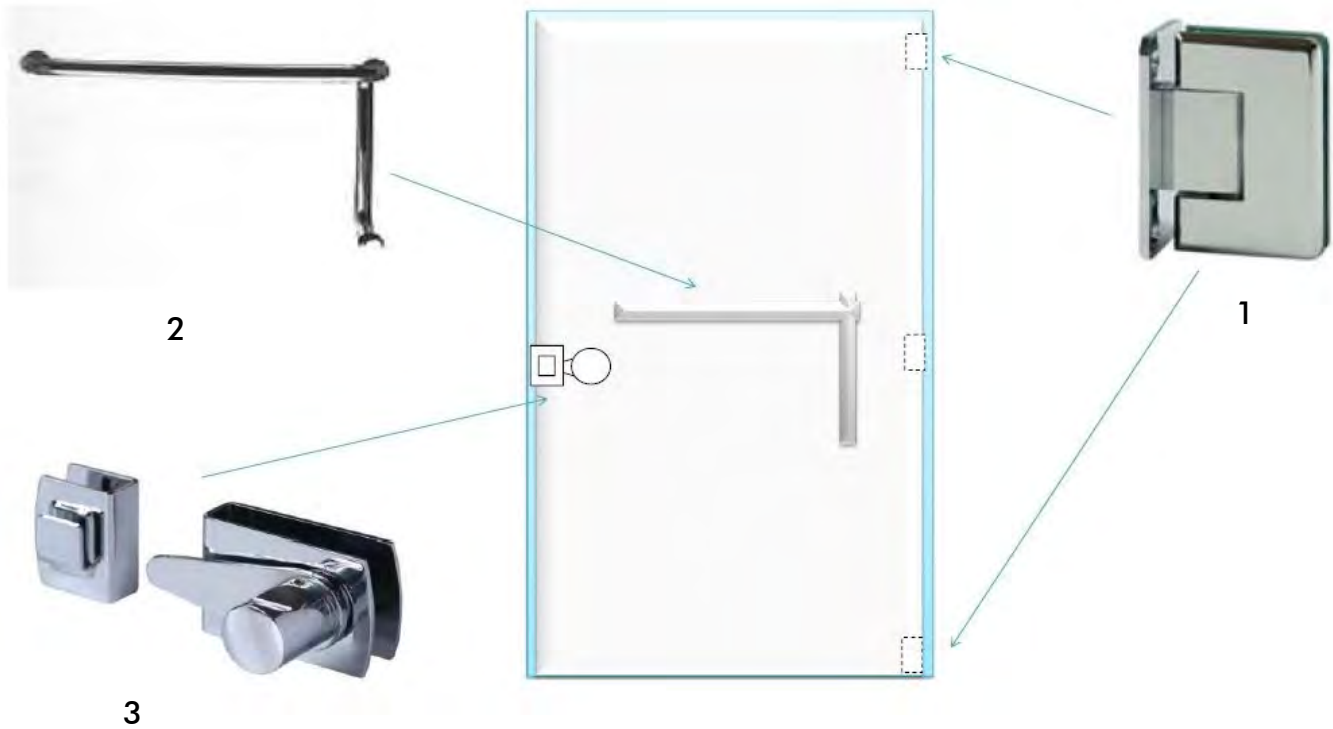
1. ALLIANCZ - 127X89X3MM 2BB SS HINGE
2. ALLIANCZ - 7003/60 SASHLOCK C/W STRIKE & BOX
3. ALLIANCZ - 215.70 SNP KEY & THUMBTURN CYLINDER UNDER MK SYSTEM
4. ALLIANCZ - 8MM SS ESCUTCHEON
5. ALLIANCZ - 8104 SS FIXED/DUMMY LEVER HANDLE ON ROSE IN PAIR
6. ALLIANCZ - 988BC DOOR CLOSER SIZE 2-4
7. ALLIANCZ - DH022 WALL STOPPER

PULL HANDLE SET



1. ALLIANCZ - 127X89X3MM 2BB SS HINGE
2. ALLIANCZ - 7521/60 MORTISE ROLLER DEADLOCK CW STRIKE & BOX
3. ALLIANCZ - REBATED KIT FOR 7000 SERIES
4. ALLIANCZ - 310.70 SNP DOUBLE CYLINDER UNDER MK SYSTEM
5. ALLIANCZ - 8MM ESCUTCHEON
6. ALLIANCZ - H PULLHANDLE 1500X32MM DIA. BTB FIXING SSS FOR TIMBER DOOR
7. ALLIANCZ - 963BC CONCEALED DOOR CLOSER WITH BACKCHECK
8. ALLIANCZ - DS120 DOOR SELECTOR
9. ALLIANCZ - DUST PROOF SOCKET
10. ALLIANCZ - BFB SS 300/600MM BOX TYPE FLUSH BOLT
11. ALLIANCZ - DS632 SN DOME SHAPE FLOOR STOP

SHOWER DOOR SET

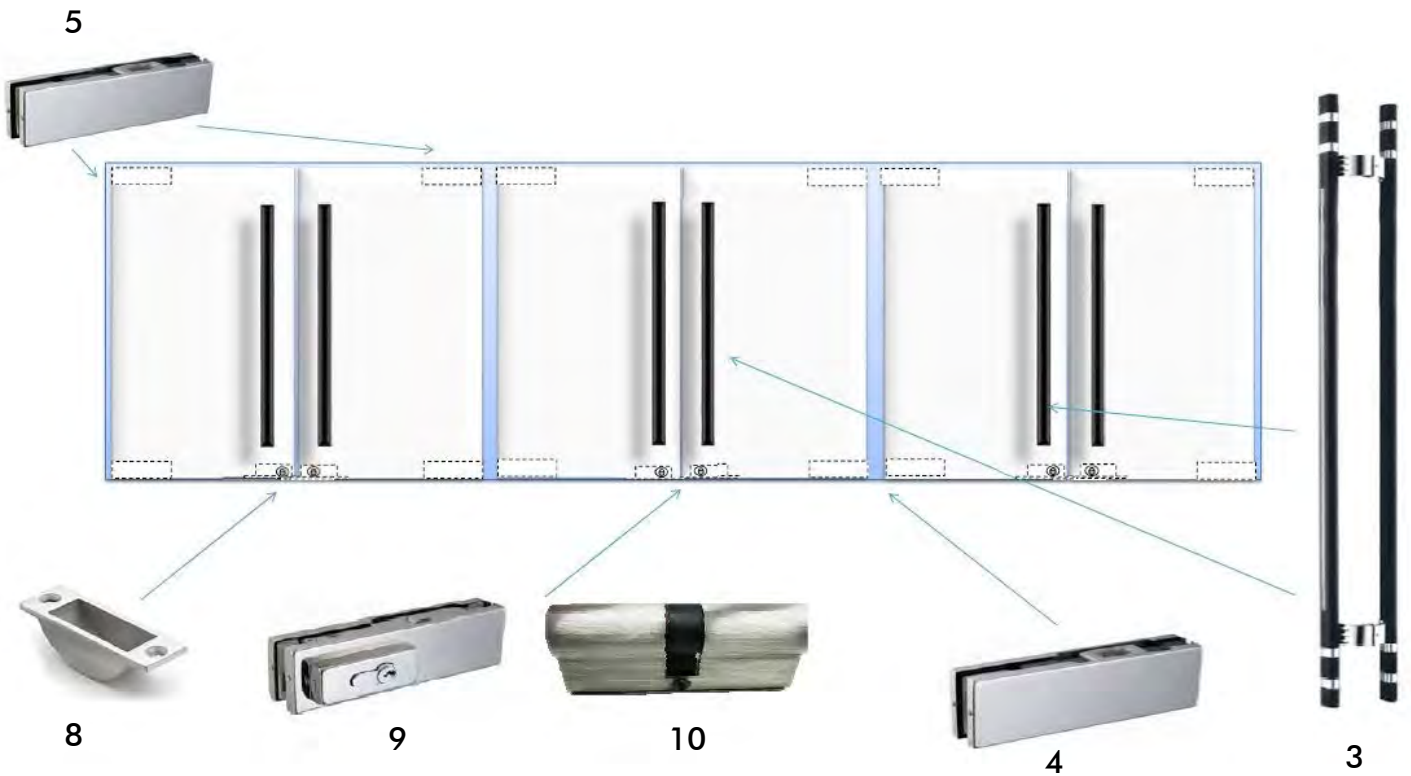


1. ALLIANCZ - PM PD GX990 WALL TO GLASS SHOWER HINGE

2. ALLIANCZ - PM PD H12 275MM X 425MM X 25MM DIA SHOWER PULL HANDLE (IN PAIR)

3. ALLIANCZ - PM SHOWER LOCK GK 624 US 624

GLASS DOOR WITH PULL HANDLE SET



1. ALLIANCZ - TD800 FLOOR SPRING C/W FLOOR SPRING
2. ALLIANCZ - SSS COVER PLATE INCLUDED ABOVE
3. ALLIANCZ - RB4544 2000MM X 38MM DIA. BTB FIXING IN 2-TONE BLACK & SS FOR GLASS DOOR
4. ALLIANCZ - PD10 SSS BOTTOM PATCH FITTING FOR GLASS THK 12MM - 15MM
5. ALLIANCZ - PD20 SSS TOP PATCH FITTING FOR GLASS THK 12MM - 15MM
6. ALLIANCZ - PM PD24 SS TOP PIVOT
8. ALLIANCZ - PM EASY CLEAN SOCKET
9. ALLIANCZ - PL50 CORNER PATCH LOCK
10. ALLIANCZ - 310.70 SNP DOUBLE CYLINDER FOR PL50 CORNER PATCH LOCK



VACHETTE

PRODUCT CATALOGUE



Disclaimer

Information in this catalogue is correct at the time of printing and valid but may be subject to change.

This material does not purport to constitute legal or professional advice. Allianz accepts no responsibility for and makes no representations, whether express or implied, as to the accuracy or reliability in any respect of any material in this publication. Except to the extent mandated otherwise by legislation, Allianz does not accept responsibility for the consequences of any reliance which may be placed on this material by any person.

Allianz will not be liable to you or to any other person for any loss or damage (including direct, consequential or economic loss or damage) however caused and whether by negligence or otherwise which may result directly or indirectly from the use of this publication.

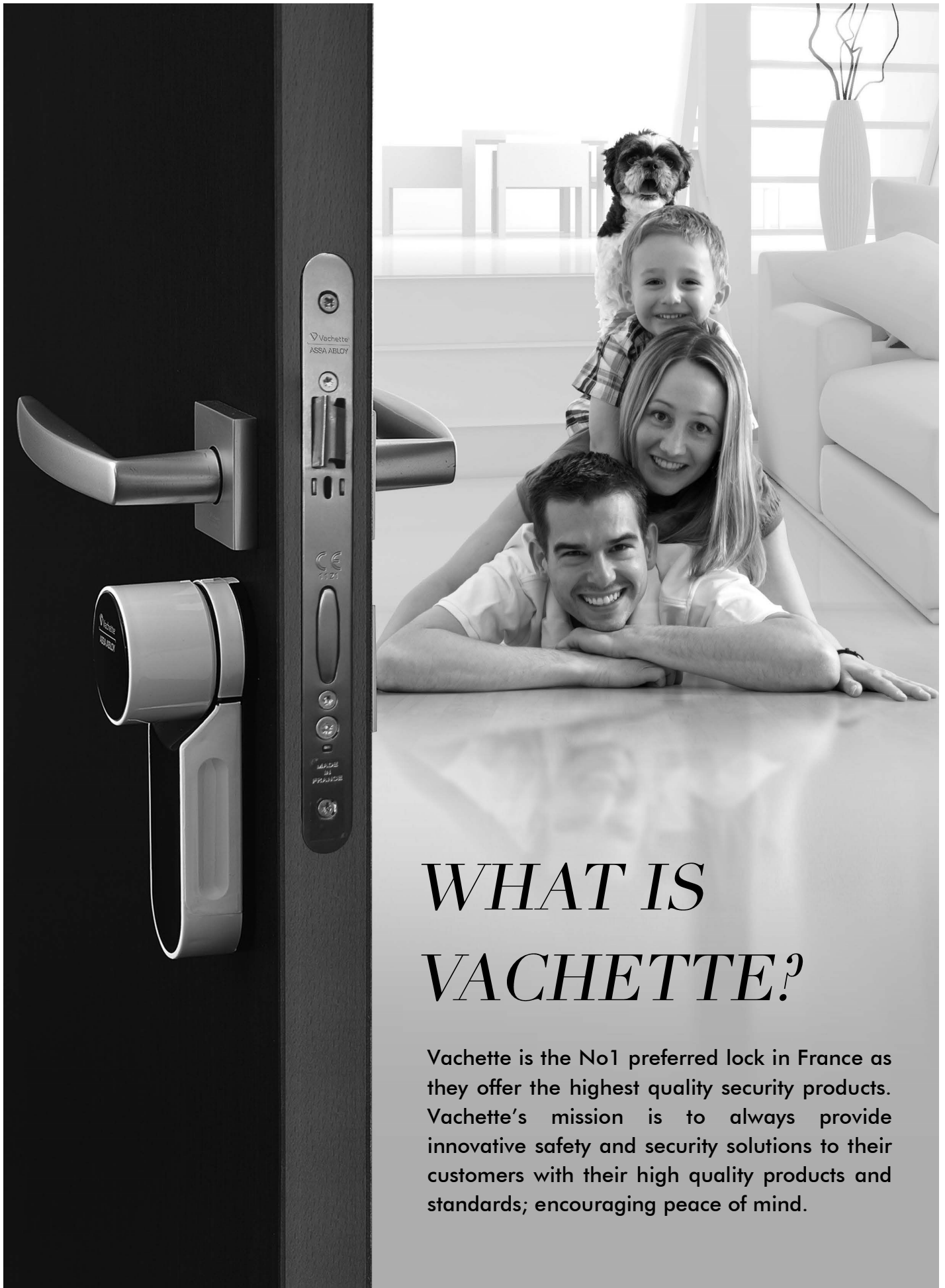
Copyright Allianz International
© Allianz International 2018.

Except as permitted by the Copyright Act, this material may not be reproduced, stored or transmitted without the permission of the copyright owner. All enquiries must be directed to Allianz International.

Published by Allianz International 2018.

CONTENT PAGE

WHAT IS VACHETTE?	4
WHY CHOOSE VACHETTE?	5
BENEFITS	5
WARRANTY	5
VACHETTE MORTISE LOCK CATALOGUE	6
BENEFITS	7
SPECIFICATION	8
VACHETTE MORTISE LOCK BODYTYPES	9
VACHETTE CYLINDER CATALOGUE	14
ONE SINGLE KEY FEATURE	16
LEVEL OF SECURITY VACHETTE CYLINDER AND SUITABLE APPLICATION	17
EXTENDED DUAL PROFILE CYLINDER	18
VACHETTE CYLINDER PRODUCT RANGE	19
AXI'HOME	20
AXI'TEC	25
VIP+	29
V5 SYSTEM	35
VACHETTE DOOR HANDLE CATALOGUE	40
CHROME DOOR ASSEMBLY	40
SILLAGE	41
MUZE	44
ARTIS	47
ALTO	50
ALUMINUM DOOR ASSEMBLY	54
URBAN	54
CITYZEN	57
STAINLESS STEEL DOOR ASSEMBLY	60
LINOX	60
SAFETY SET DOOR	65
SECUMAX UP	65



WHAT IS VACHETTE?

Vachette is the No1 preferred lock in France as they offer the highest quality security products. Vachette's mission is to always provide innovative safety and security solutions to their customers with their high quality products and standards; encouraging peace of mind.

WHY CHOOSE VACHETTE?

Vachette has over 10 years' experience within the market and a dedicated in partnership with ASSA ABLOY to satisfy the end- user needs for security, safety and convenience.

The French Touch, a selection of professional brands

Vachette Locking Systems is a complete security solution and have a wide range of offerings, including: High security cylinders, Single mortise lock, and Multipoint mortise lock, Master keying plans and Door handles.

BENEFITS

Vachette Locking Systems can be used for a variety of commercial and residential applications; and each Vachette cylinder has been specifically designed to suit with various levels of security available depending on application.

*Please refer to table on the page 17

Promises

High expertise, coming from our considerable experience and high competence for tailor-made solutions.

High reliability, endorsed by EN standard certifications.

High quality, guaranteed by the ISO 9001 Quality System, every single item is at its best quality.

Environmental friendly: obtained by the continuous production process improvement and certificated

by ISO 14001.

WARRANTY

Vachette offers a 10 year warranty on all locking systems, which are made to last and highly durable design.

VACHETTE

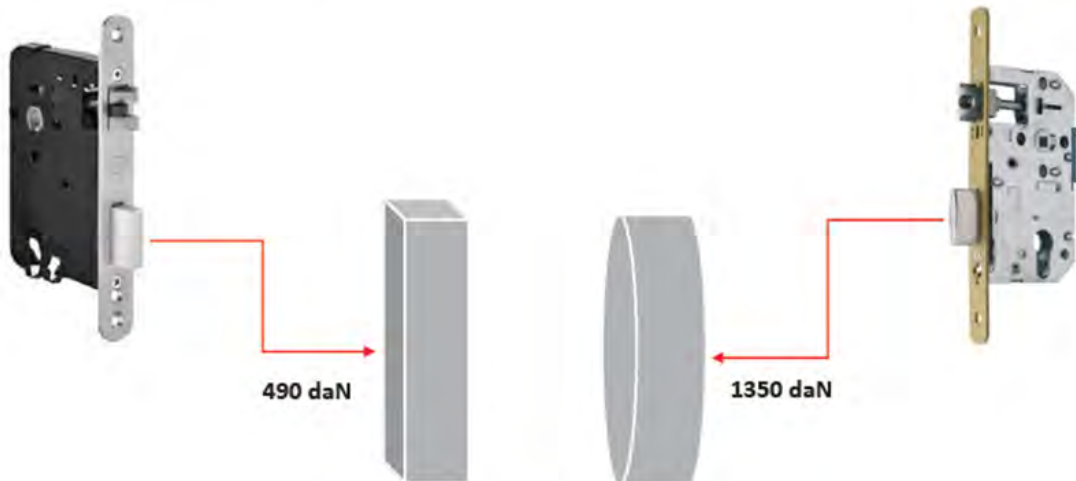
MORTISE LOCK

CATALOGUE



Vachette Lock Body has nine functions in one lock body, being fully reversible to the right or left hand side. Developed for public buildings, these locks will find their place in commercial as well as residential buildings. The D450 range features a variety of functions for all types of interior and exterior doors.

BENEFIT



Side Load: Height to Scale

ADDITIONAL BENEFITS INCLUDE

- Curved latch bolt for easier latching
- Edge-cut latch bolt for smoother opening
- Profiled deadbolt for extra side load resistance
- Reversibility possible without dismantling the lock out of the door.
- Heavy duty follower spring suitable for non-sprung lever furniture.
- D 450 Series is manufactured in France by Vachette. Vachette is an ISO 9001 certified factory company
- Ten years mechanical warranty

APPLICATION

High frequency of use by people with little incentive to care: Grade 3 – Category of use - EN 12209

Residential & Commercial buildings -Public Doors

Suitable for timber and metal doors.

SPECIFICATION

TECHNICAL SPECIFICATION

- Slim lock body, 15 mm thick, for minimum mortise clearance
- Galvanized steel lock body for superior corrosion resistance
- Sealed lock body for minimized dust penetration
- Oval shape deadbolt, 20 mm projection, double throw. Side load resistance > 1,350 daN.
- Reversible latch bolt, curved shape « easy latch »
- Key to latch
- Heavy duty follower spring suitable for non-sprung loaded lever furniture.
- Passage holes for bolt-through fixing lever furniture.
- Supplied with striker plates in compliance with EN 12209.
- D450 Series complies in full with the highest requirements of NF EN 12209.
- Emergency functions comply with EN 179*
- Suitable for use on fire/smoke doors assemblies (except otherwise stated)

BACKSETS

- 50 and 60 (65 for limited functions)
- 40 and 55 on special request

FINISHES

- Brushed Stainless Steel (X)
- Polyester Powder Coated Black (V)
- On special Request
- Nickel Plated (N)
- Solid Brass (D)
- Polished Stainless Steel (XP)

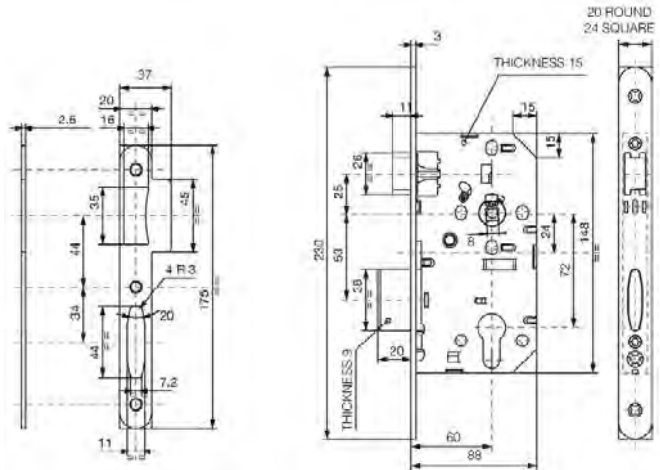
FRONT PLATES

- Rounded ends in 20 mm
- Square ends in 24 mm

VACHETTE MORTISE LOCK

BODY TYPES

D455 SASHLOCK



Emergency lock for Euro-profile cylinder.

Key to Latch.

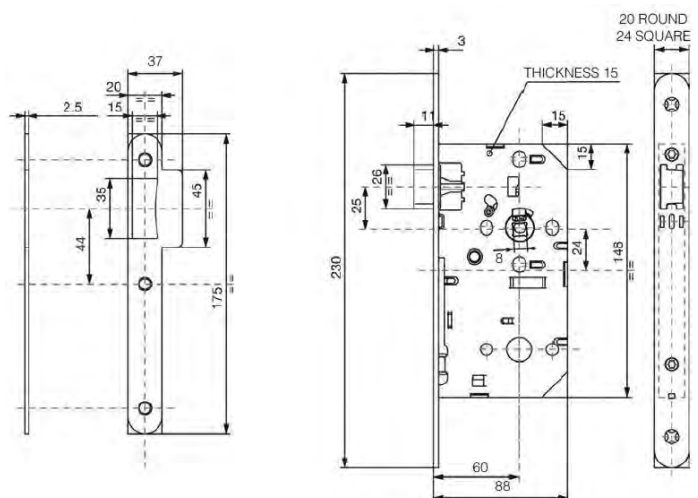
Deadbolt 20mm projection, double throw.

European CE standards with 8 mm follower (C8) and center to center 72 mm, Backset: 60 mm.

Fire rated as standard.

Locks packed by 2 with striker plates.

D452 LATCHLOCK

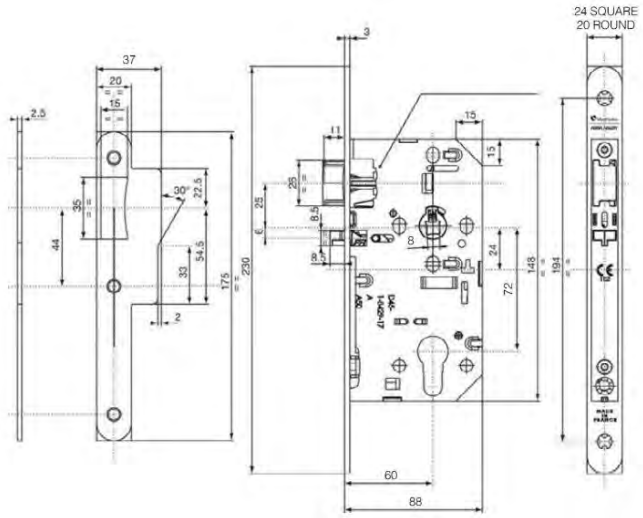


Passage Lock. European CE standards with 8 mm follower (C8), Backset: 60 mm.

Fire rated as standard.

Locks packed by 2 with striker plates.

D457 CLASSROOM LOCK



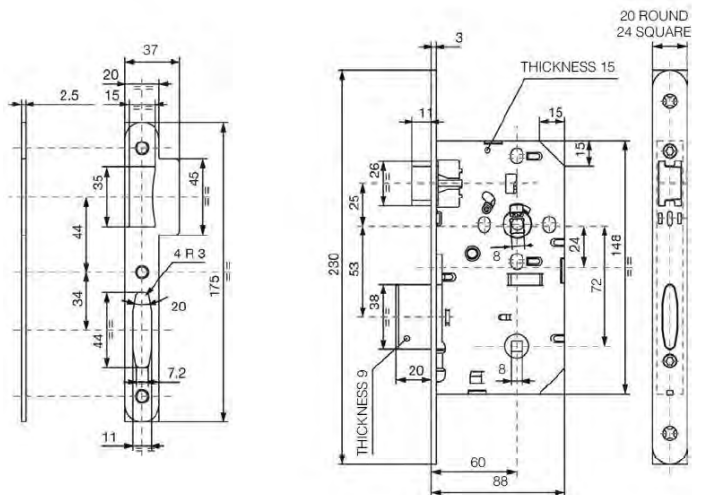
Classroom or office lock for Euro-profile cylinder. Equipped with anti-thrust bolt. Key to latch. Outside handle made inoperative when locked. Exit always free.

European CE standards with 8 mm follower (C8), center to center 72 mm, Backset: 60 mm.

Fire rated as standard.

Locks packed by 1 with striker plates.

D453 PRIVACY LOCK



Toilet lock.

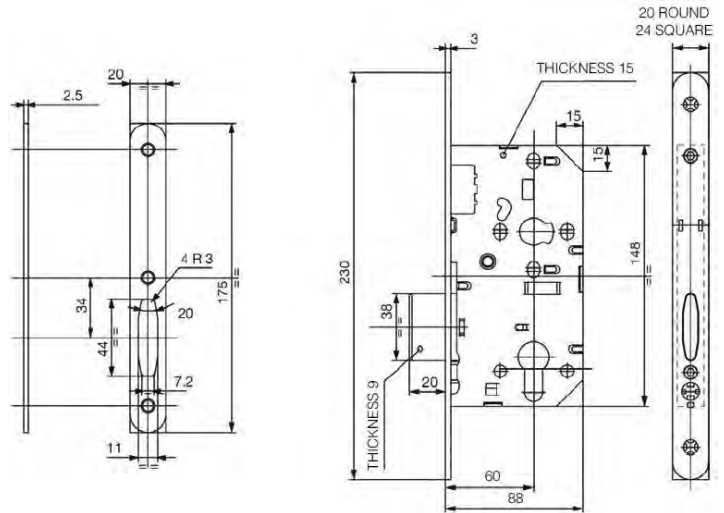
Key to Latch.

Deadbolt 20mm projection, double throw.

European CE standards with 8 mm follower (C8) and center to center 72 mm, Backset: 60 mm.

Fire rated as standard. Locks packed by 2 with striker plates.

D454 DEAD LOCK



Deadlock for Euro-profile cylinder.

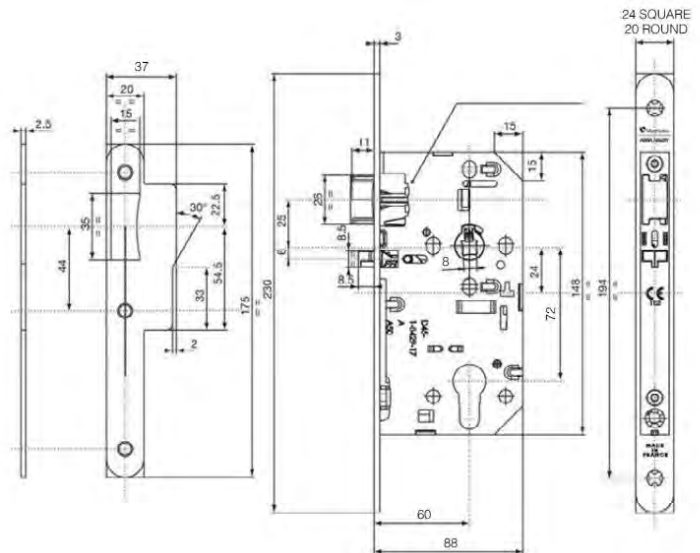
Deadbolt 20mm projection, double throw.

Front plate 20 mm rounded ends (R20) or 24 mm square ends (K24).

Backset: 60 mm.

Locks packed by 2 with striker plates.

D4522 NIGHTLATCH



Night latch for euro-profile cylinder.

Key to latch.

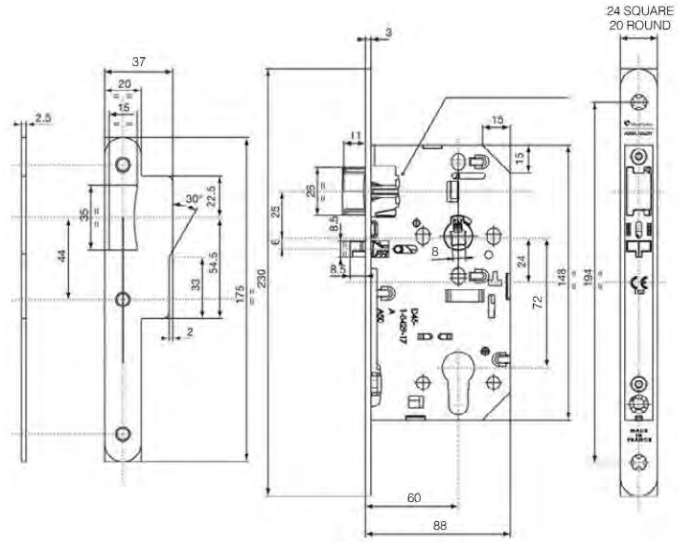
Exit always free

European CE standards with 8 mm follower (C8), center to center 72 mm, Backset: 60 mm.

Fire rated as standard.

Locks packed by 2 with striker plates.

D456 STOREROOM LOCK



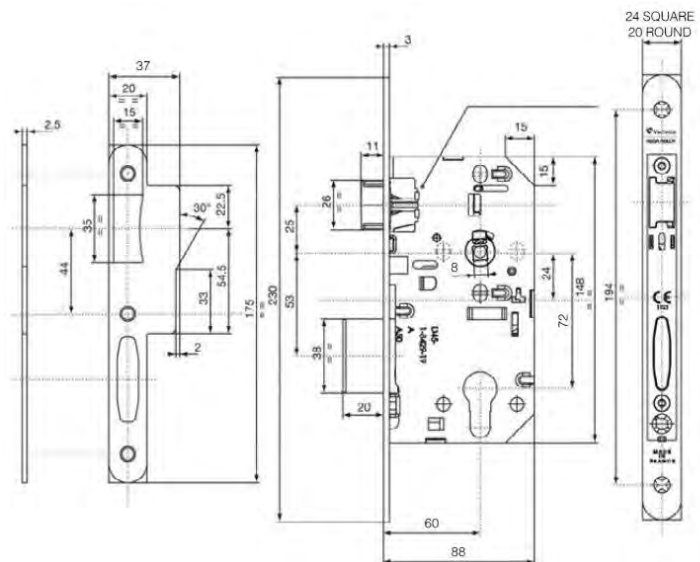
Storeroom or night latch lock for Euro- profile cylinder. Equipped with Anti- thrust bolt. Key to latch exit always free.

European CE standards with 8 mm follower (C8), center to center 72 mm, Backset: 60 mm.

Fire rated as standard.

Locks packed by 1 with striker plates.

D458 EMERGENCY SASH LOCK



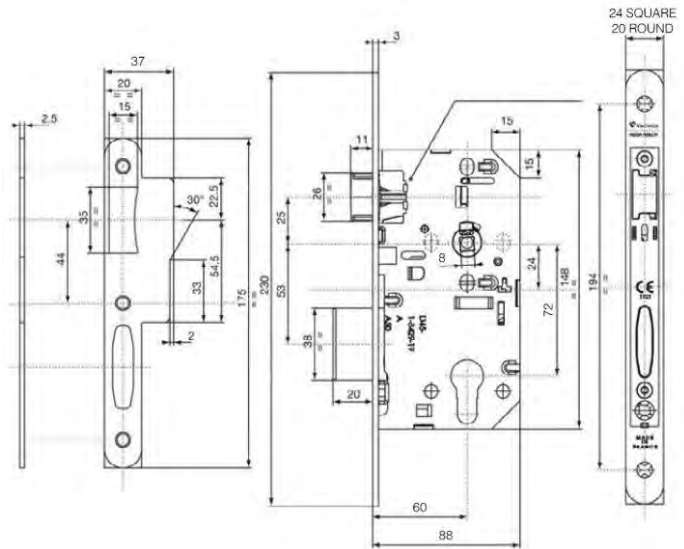
Entrance lock for Euro- profile cylinder Key to latch Deadbolt 20 mm projection, double throw Exit always free inside handle retracts both latch and deadbolt.

European CE standards with 8 mm follower (C8), center to center 72 mm, Backset: 60 mm.

Fire rated as standard.

Locks packed by 1 with striker plates.

D459 EMERGENCY SASH LOCK SAF



Same as D548 with snib on front plate that prevents from projecting the deadbolt when the door is not shut. **NO RISK OF PREVENTING FIRE DOOR TO SHUT**

VACHETTE CYLINDERS CATALOGUE



The risk to security nowadays is that key reproduction is simple; as key cutters can anonymously have duplicate keys cut which may be to your office or apartments. Such simple and uncontrolled key duplications can be taken to excess, jeopardizing the security of many premises.

EUROPROFILE DOUBLE CYLINDER



Double cylinder. 3 keys.
Minimum dimension:
30 x 30mm
Nickel Plated/Brass
Finish

HIGH SECURITY ANTI-DRILL EUROPROFILE DOUBLE CYLINDER



Double cylinder with anti-drill inserts for better resistance against forced entry. 3 keys.
Minimum dimension:
30 x 30mm
Nickel Plated

SINGLE EUROPROFILE CYLINDER



Single cylinder with Adjustable cam. 3 keys.
Minimum dimension:
30 x 10mm
Nickel Plated/Brass
Finish

EUROPROFILE DOUBLE CYLINDERS WITH EMERGENCY KEY FUNCTION



Double cylinder with emergency key function, characterised by nickel-plated cam. This function allows a door to be unlocked from either side even if key is still inserted on the other side. 3 keys.
Minimum dimension: 30 x 30mm
Nickel Plated/ Brass Finish

EUROPROFILE DOUBLE CYLINDER WITH THUMBTURN



Cylinder with ergonomic thumbturn for installation on all door types. 3 keys.
Minimum dimension:
30 x 30mm
Nickel Plated/Brass
Finish

BENEFITS

The solution to the above duplication and security risk is Vachette's 3D Trademark registration key systems.

1. Long lasting controlled key duplication for lifetime as key blanks are protected by 3D Trademark registration
2. Design of each key is to suit application, whether it be commercial or residential as designs are attractive, ergonomic and modern.
3. Available in several versions such as the AXI'HOME AND AXI'TEC.

ONE SINGLE KEY FEATURE



LEVEL OF SECURITY

VACHETTE CYLINDER AND SUITABLE APPLICATION

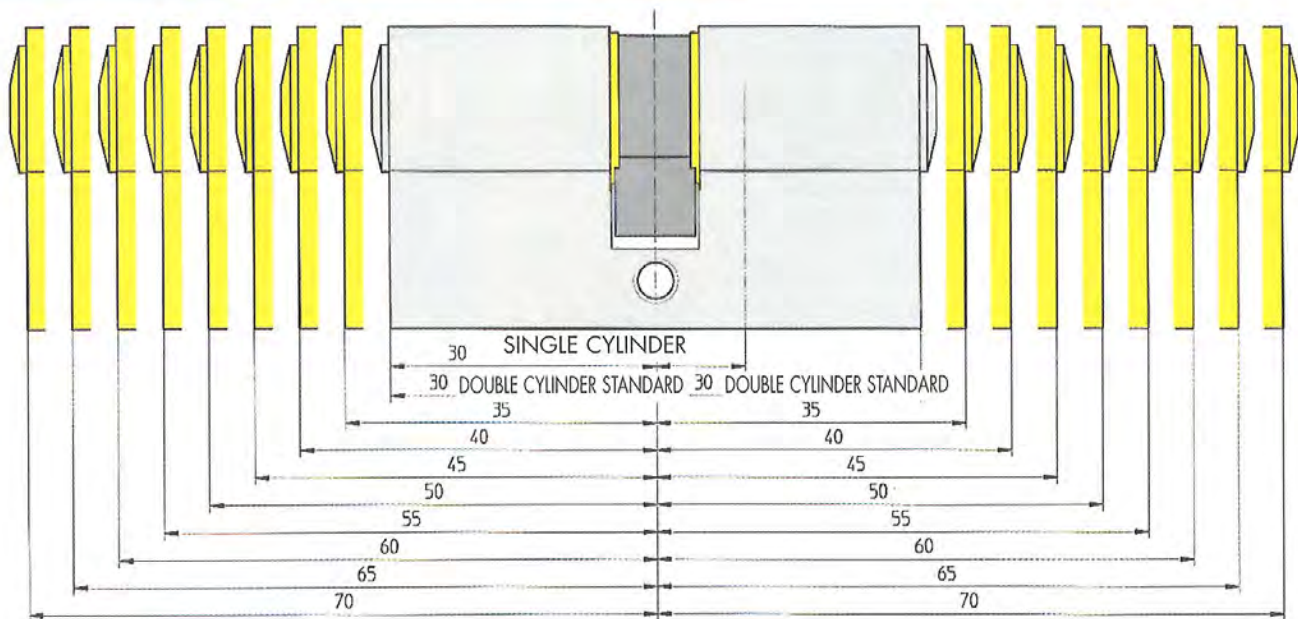


	RESIDENTIAL			
	DETACHED PROPERTIES	APARTMENTS		
		STANDARD	HIGH QUALITY	DE LUXE
RADIAL NT+	●		●	●
RADIAL NT	●		●	●
AXI'HOME	●		●	●
VIP+	●	●	●	●
VOLT	●		●	
V5	●	●		

	SERVICE SECTOR						
	OFFICE INDUSTRY	INDUSTRY SHOPPING	LOCAL CENTRES	AUTHORITIES	HOSPITALS	SPORT	HOTEL
RADIAL NT+	●	●	●	●	●	●	●
RADIAL NT	●	●	●	●	●	●	●
AXI'TEC	●	●	●	●	●	●	●
VIP+	●	●	●	●	●	●	●
VOLT	●	●	●	●	●	●	●
V5	●	●	●	●	●	●	●

● Potentially suitable ● Suitable ● Ideally suitable

EXTENDED DUAL PROFILE CYLINDER



On request, Vachette cylinder can be supplied in extended version (for overlapping doors, extra thick doors, etc).

- The cylinder dimension is calculated by measuring the distance between the front face of the cylinder and the centre of the cam.
- Extra length increases in steps of 5 mm, either side.
- The maximum extra length on one side cannot exceed 40mm. For length beyond this, please contact us to discuss your enquiries.
- It is not necessary to specify the handing (right or left) for double cylinder with asymmetrical extension and for single cylinders, provided the cylinders are fitted to Vachette locks; however this information is needed if the cylinders are fitted to locks of other makes.
- When ordering asymmetrically extended cylinders, always define the outside dimension first.

VACHETTE CYLINDER PRODUCT RANGE

AXI'HOME

Dedicated to residential sites, this device meets the increasing security requirements in terms of design and convenience. Suited to residential properties including in both blocks of flats and detached housing.

BENEFITS

Long Lasting - Controlled key duplication for life 3D Trademark registration key systems: reproduction forbidden except in our works without any time limit

Reliability and Security - A2P*(1) compatible cylinder. Shutter standard on the outer side

Design, Ergonomic, Convenience - Dual-material ring, Key shank in 3 dimensions: functional, secure and attractive

Differ and on Master key Schedule - Hierarchical organisation of the protected doors (central opening, master key, etc)

4 Keys with Different Colours - Everyone has got his/her key with his/her own colour!

APPLICATIONS



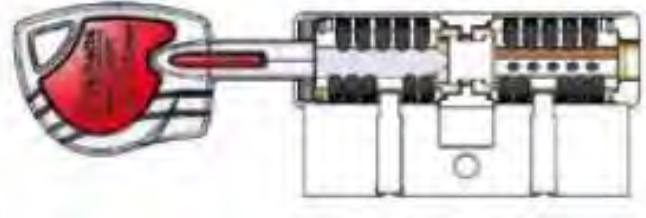
DWELLING HOUSE



HOUSING
(INCLUDING BUT NOT LIMITED TO
HDB, CONDOMINIUM AND
APARTMENT)

AXI'HOME PRODUCTS

EURO PROFILE DOUBLE CYLINDERS A2P



A2P compatible cylinder. 4 coloured keys (black, red, green and blue). Shield standard on the outer side.

Minimum dimension: 30 x 30 mm

Nickel plated - Ref. 7101 AXI'HOME N1 For use with Vachette locks A2P*

Brass finish - Ref. 7100 AXI'HOME N1 For use with Vachette locks A2P*

EURO PROFILE DOUBLE CYLINDERS



A2P compatible cylinder. 4 coloured keys (black, red, green and blue).

Minimum dimension: 27.5 x 27.5 mm (without shield)

Nickel plated - Ref. 7011 AXI'HOME N1 For use with Vachette locks A2P*

Brass finish - Ref. 7010 AXI'HOME N1 For use with Vachette locks A2P*

EURO PROFILE DOUBLE CYLINDERS SYNKRO A2P



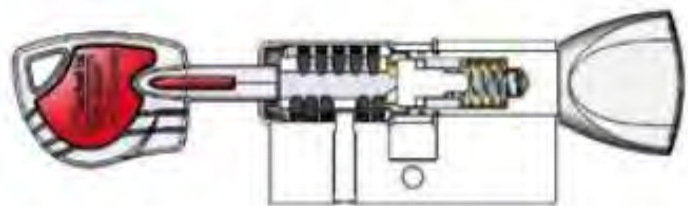
Double cylinder SYNKRO compatible A2P this function allows to unlock the door if the key has been left inserted in the lock inside. Gives a feeling of security if children or old people are at home. 4 coloured keys (black, red, green and blue). Shield standard on the outer side.

Minimum dimension: 30 x 30 mm

Nickel plated - Ref. FCS 7101 AXI'HOME N1 (For use with Vachette locks A2P*)

Brass finish - For use with Vachette locks A2P*

EURO PROFILE DOUBLE CYLINDER WITH THUMB TURN A2P



2P compatible cylinder. Cylinder fitted with an ergonomic thumb turn for use on any types of doors. 4 coloured keys (black, red, green and blue). Shield standard.

Min. dimension: 30 x 30 mm

Nickel plated - Ref. 3111 AXI'HOME N1 For use with Vachette locks A2P*

Brass finish - Ref. 3110 AXI'HOME N1 For use with Vachette locks A2P*

EURO PROFILE SINGLE CYLINDER A2P



Single cylinder with adjustable cam. A2P compatible. 4 coloured keys (black, red, green and blue). Shield standard.

Minimum dimension: 30 x 10 mm

Nickel plated - Ref. 5101 AXI'HOME N1 For use with Vachette locks A2P*

Brass finish - Ref. 5100 AXI'HOME N1 For use with Vachette locks A2P*

EXTENSIBLE RIM CYLINDER



Extensible rim cylinder, Keys in 4 colours.

Nickel plated - Ref V55 M AXI'HOME

CYLINDER CAM LOCK



Cylinder camlock for letter boxes with cam F, K or N, Keys in 4 colours.

Nickel plated - Ref 5166 M AXI'HOME

Brass finish - Ref 5166 P AXI'HOME

SWITCH CYLINDER



Switch cylinder for electric gates, fitted on a plate, 2 micro-switches, nickel plated,
Keys in 4 colours.

Nickel plated - Ref V56 M AXI'HOME

Switch cylinder for electric gates with double compact built-in switches,
Keys in 4 colours.

Nickel plated - Ref V57 M AXI'HOME

Switch cylinder for building entrance fitted on an angle plate, 1 micro-switch,
Keys in 4 colours.

Nickel plated - Ref V555 M AXI'HOME

* In order to keep their certification, the products must be installed with the lock, the strike and the AP2 certified accessories and sold by Vachette

SPECIFICATION

BRASS FINISH OR NICKEL PLATED

- Key with prohibited duplication without any time limit
- System protected by a 3D Trademark registration
- System with multidirectional pins

CYLINDER TO DIFFER

- 15 pins on 3 rows
- 10,000,000 differs

MASTER KEY SCHEDULE

- Features:
 - Up to 23 pins on 5 rows
 - Tungsten carbide protection shield (rotor)
 - Anti-drill insert in tempered steel (stator)
 - Stainless steel pins for better mechanical resistance (anti-picking) and protection against corrosion
 - Key blank made of German silver
 - Torsion resistance: 8 Nm
 - Shutter on the outer side standard (optional: inner side): protection against dust penetration

- Minimum dimensions standard range
 - Double cylinder 30 x 30 mm (extension in steps of 5 mm)
For dimensions exceeding a total length of 140 mm, please contact us to discuss your enquiries.
 - Single cylinder 30 x 10 mm (extension in steps of 5 mm)
For dimensions exceeding 80 mm, please contact us to discuss your enquiries.
 - Shortened cylinder range:
Double cylinder 27.5 x 27.5 mm (without shutter)

AXI'TEC

The AXI'TEC key and cylinder set is the most recent development for the security of commercial sites. Available on master key schedule only, this system offers all the possibilities of hierarchical organisation of the most demanding non-residential sites

BENEFITS

Available in Several Versions

- Large possibilities on complex master key schedules
- The right answer to all the issues in connection with the building industry

Durability

- Controlled key duplication for life
- Cylinder combining performance and security

Design

- Ergonomic ring
- Key blank in 3 dimensions

APPLICATIONS



INDUSTRY



SCHOOL



SPORT AND
LEISURE



TERTIARY SECTOR



SUPERMARKET



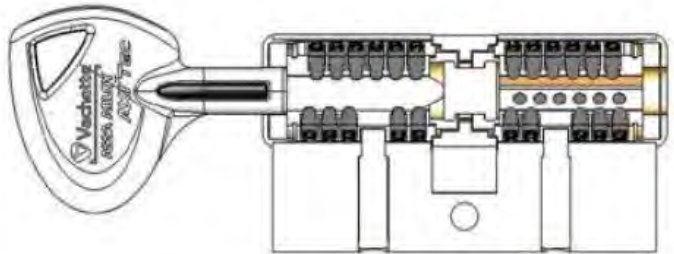
HOSPITAL



RESTAURANT

AXI'TEC PRODUCTS

EURO PROFILE DOUBLE CYLINDERS

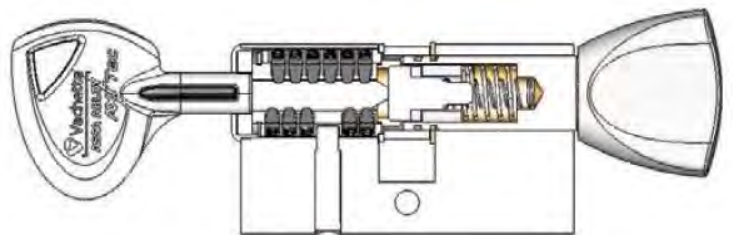


Double cylinder. 3 keys.

Minimum dimension: 30 x 30 mm

Nickel plated - Ref. 7101 AXI'TEC

EURO PROFILE DOUBLE CYLINDER WITH THUMB TURN

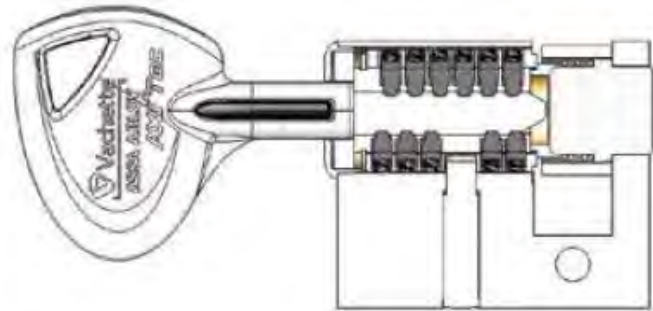


Cylinder fitted with an ergonomic thumb turn for installation on any type of doors. 3 keys

Minimum dimension: 30 x 30 mm

Nickel plated - Ref. 3111 AXI'TEC

EURO PROFILE SINGLE CYLINDER

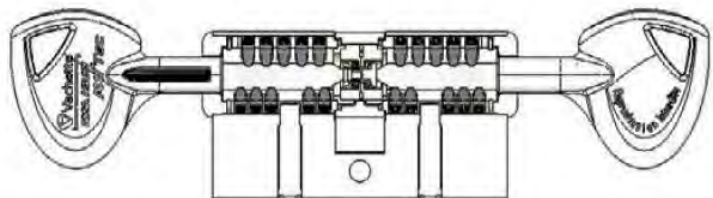


Single cylinder with Adjustable cam 3 keys

Minimum dimension: 30 x 10 mm

Nickel plated - Ref. 5101 AXI/TEC

EURO PROFILE DOUBLE CYLINDERS SYNKRO

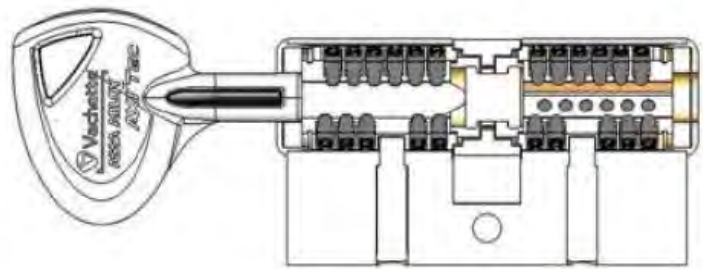


Double cylinder SYNKRO. This function allows to unlock the door if the key has been left inserted inside. Gives a feeling of security if children or old people at home. 3 keys.

Minimum dimension: 30 x 30 mm

Nickel plated - Ref. FCS 7101 AXI/TEC

EURO PROFILE DOUBLE CYLINDERS, SHORT EXECUTION



Double cylinder. 3 keys.

Minimum dimension: 27.5 x 27.5 mm

Nickel plated - Ref. 7011 AXI' TEC

SPECIFICATION

NICKEL PLATED

- Key with prohibited duplication without any time limit
- Protected by a 3D Trademark registration
- On master key schedule only lock with multidirectional pins, up to 29 pins on 5 rows
- Stainless steel pins for better mechanical resistance (anti-drilling) and protection against corrosion
- Key blank made of German silver alloy
- Torsion resistance: 8 Nm

MINIMUM DIMENSIONS

- Double cylinder 30 x 30 mm (extension in steps of 5 mm)
For a total length exceeding 140 mm, please contact us to discuss your enquiries
- Single cylinder 30 x 10 mm (extension in steps of 5 mm)
For dimensions exceeding 80 mm, please contact us to discuss your enquiries
- Shortened cylinder range:
Double cylinder 27.5 x 27.5 mm

VIP+

With its two-directional pinning technology, the VIP+ system allows complex master-key schedules. It offers protection against unauthorised key-duplication until 2030.

BENEFITS

Security

- Delivered with VIP cylinder and VIP + key
- New patented VIP + key
- A2P version * (1)

Performance

Following complex flowcharts on plan: up to 23 bidirectional pins

Comfort

Curved head rotor with slot for easy insertion of the key and increased resistance to torsion

Resistance

- Nickel-plated solid brass cylinder
- Nickel-plated anti-pick pins

APPLICATIONS



INDUSTRY



SCHOOL



SPORT AND
LEISURE



TERTIARY SECTOR



SUPERMARKET



HOSPITAL

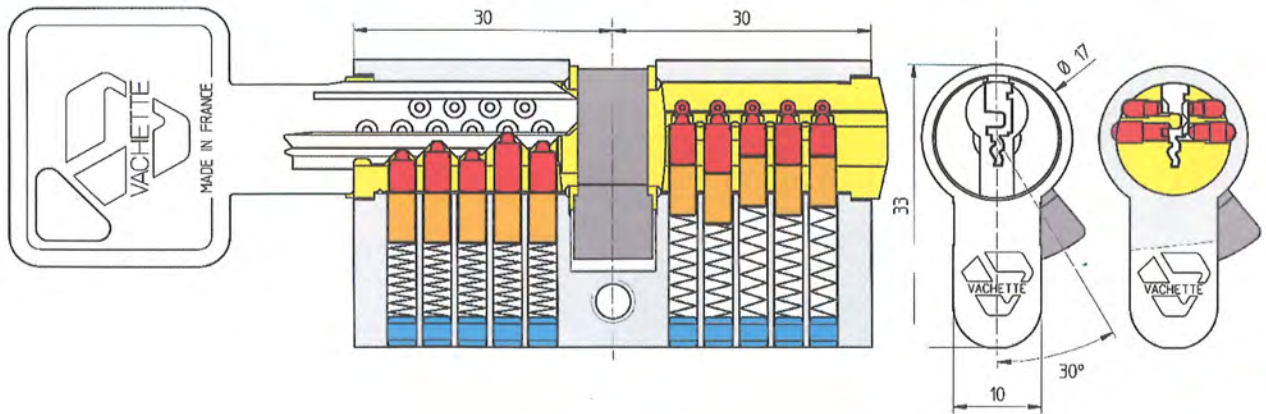


RESTAURANT

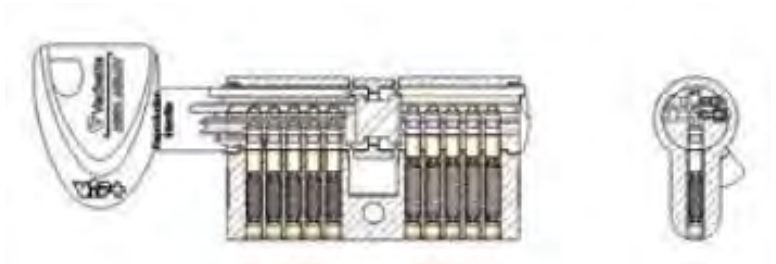


DWELLING
HOUSE

VIP+ PRODUCTS



EURO PROFILE DOUBLE CYLINDERS



Double cylinder. 3 keys

Minimum dimension: 30 x 30 mm

Nickel plated - Ref. 7101 VIP+

EURO PROFILE DOUBLE CYLINDER WITH THUMB TURN

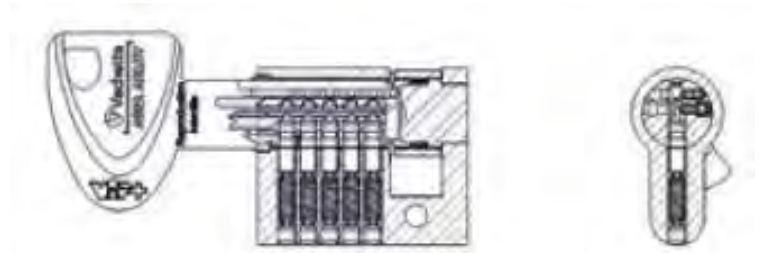


Cylinder with ergonomic thumbturn for installation on all door types. 3 keys.

Minimum dimension: 30 x 30 mm.

Nickel plated - Ref. 3111 VIP+

SINGLE EURO PROFILE CYLINDERS

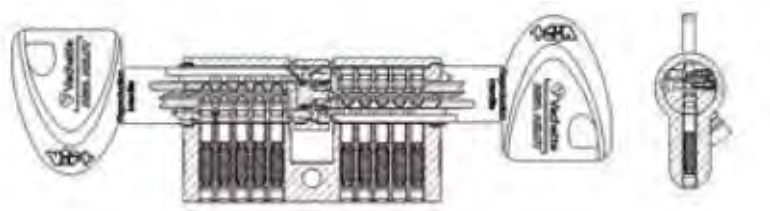


Single cylinder with adjustable cam. 3 keys

Minimum dimension: 30 x 10 mm

Nickel plated - Ref. 5101 VIP+

EUROPROFILE DOUBLE CYLINDER WITH EMERGENCY KEY FUNCTION



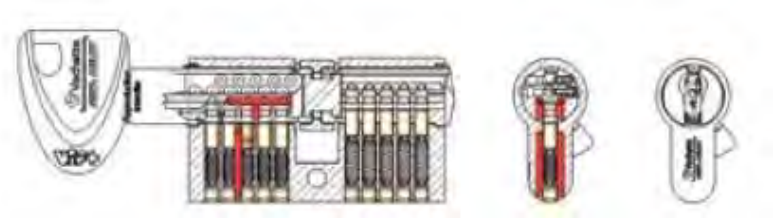
Double cylinder SYNKRO with emergency key function, characterised by nickel-plated cam. This function allows a door to be unlocked from either side even if a key is still inserted on the other side.

3 keys.

Minimum dimension: 30 x 30 mm up to 70 x 70 mm.

Nickel plated - Ref. FCS 7101 VIP+

HIGH SECURITY ANTI-DRILL EUROPFILE DOUBLE CYLINDER



Cylinder A2P(1). Double cylinder with anti-drill inserts.

3 keys.

Minimum dimension: 30 x 30 mm.

Nickel plated - Ref. 7101 VIP+ N1 For use with Vachette locks A2P*

HIGH SECURITY ANTI-DRILLING EUROPFILE SINGLE CYLINDER



Cylinder A2P (1). Single cylinder with adjustable cam.

3 keys.

Minimum dimension: 30 x 10 mm.

Nickel plated - Ref 5101 VIP+ N1 For use with Vachette locks A2P*

CYLINDER CAM LOCK



3 keys, cam F, K or N.

Nickel plated - Ref 5166 VIP+

SWITCH CYLINDER



For main entrance doors to buildings, 1 micro-switch, 3 keys.

Nickel plated V555 VIP+

* In order to keep their certification, the products must be installed with the lock, the strike and the AP2 certified accessories and sold by Vachette

SPECIFICATION

TECHNICAL DATA

- Two-directional pinning system:
 - 14 to 23 pins on 4 to 5 rows.
 - Mushroom" (anti picking) type pins.
 - Stainless Steel passive pins anti -pick profile.
 - N1 version with anti-drilling hardened steel pins.
- Key section: 3 mm, material: nickel silver.
- Torsion resistance: 10 Nm.
- Over 32 million differs.
- Housing: one-piece, in solid nickel-plated brass.
- Plug: solid nickel-plated brass, grooved dome head for easier key insertion and improved resistance against picking.
- System is protected by patent valid until 2030

MINIMUM DIMENSIONS

- Minimum dimensions standard range
 - Double cylinder 30 x 30 mm (Extension in steps of 5 mm up to 70 x 70mm).
For dimensions exceeding a total length of 140 mm, please contact us to discuss your enquiries.
 - Single cylinder 30 x 10 mm (Extension in steps of 5 mm up to 70 x 10mm).
For dimensions exceeding 80 mm, please contact us to discuss your enquiries.

V5 SYSTEM

With its 5 mushroom shaped pins in line technology, the V5 System offers good protection against picking. The extensive number of key profiles allow very complex master key schedule.

BENEFITS

- Anti-pick pins
- Compatible with all types of master key schedules
- Ergonomic key

APPLICATIONS



INDUSTRY



HOUSING



SCHOOL



DWELLING HOUSE



SUPERMARKET



TERTIARY SECTOR



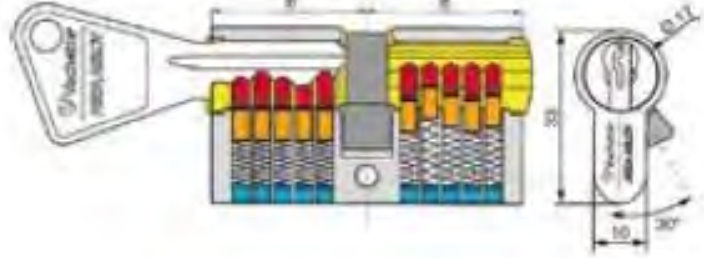
HOSPITAL



RESTAURANT

V5 SYSTEM PRODUCTS

EURO PROFILE DOUBLE CYLINDERS



Double cylinder. 3 keys

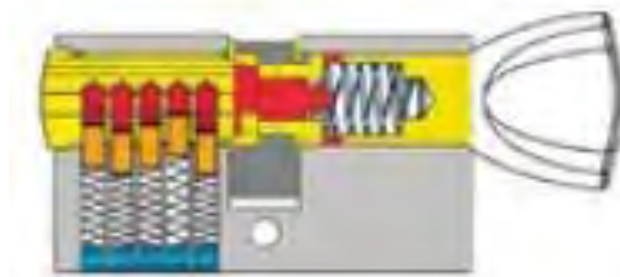
Minimum dimension: 30 x 30 mm

Nickel plated

Ref. 7101

Brass finish - Ref. 7100

EURO PROFILE DOUBLE CYLINDER WITH THUMB TURN



Cylinder with ergonomic thumb turn for installation on all door types. 3 keys

Minimum dimension: 30 x 30 mm

Nickel plated - Ref. 3111

Brass finish - Ref. 3110

SINGLE EURO PROFILE CYLINDERS



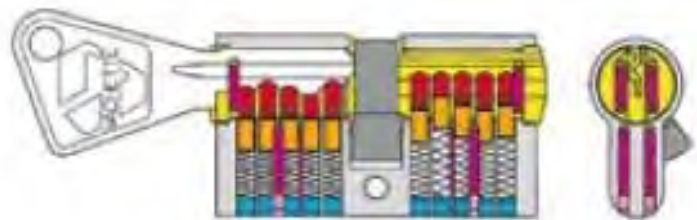
Single cylinder with adjustable cam. 3 keys

Minimum dimension: 30 x 10 mm

Nickel plated - Ref. 5101

Brass finish - Ref. 5100

HIGH SECURITY ANTI-DRILL EURO PROFILE DOUBLE CYLINDER



Double cylinder with anti-drill inserts for better resistance against forced entry. 3 keys

Minimum dimension: 30 x 30 mm

Nickel plated - Ref. 7101 HS

EURO PROFILE DOUBLE CYLINDERS WITH EMERGENCY KEY FUNCTION



Double cylinder with emergency key function, characterised by nickel-plated cam. This function allows a door to be unlocked from either side even if a key is still inserted on the other side. 3 keys. Minimum dimension: 30 x 30 mm

Nickel plated - Ref. FCS 7101

Brass finish - Ref. FCS 7100



CYLINDER SWITCH LOCKS

For electrically operated door opening systems. Brass cylinder 25 mm, length 28 mm, 5 pins, 3 German silver keys, brass finish P

For electrically operated door opening systems. Brass cylinder 25 mm, length 66 mm, 5 pins, 3 German silver keys, 1 micro-switch, chrome finish M. For main entrance doors to buildings. Brass

EXTENSIBLE CYLINDER



Brass finish

Satin nickel-plated cylinder, 27 mm, 5 pins, 3

German silver keys, brass finish P or chrome finish

M

CYLINDER CAM LOCK

Brass finish

3 keys, cam F, K or N



SPECIFICATION

TECHNICAL DATA

- 5 "Mushroom" type anti-pick pins, in line with anti-drilling hardened steel pins
- 3 numbered keys
 - In steel (differ cylinders), 2.2mm cross section
 - In German silver (master keyed cylinders), 2.7mm cross section, 8Nm torque resistance
- Housing: One-piece; Solid Brass
- -15,000 differs Plug: dome head for easier key insertion and improved resistance against twisting the key.
- Presence of a groove to hold the key shoulder, improving the resistance to twisting

MINIMUM DIMENSIONS

- Double Cylinder 30 x 30mm
[Extension in steps of 5mm up to 70 x 70mm]
- Single Cylinder 30 x 10mm
[Extension in steps of 5mm up to 70 x 10mm]

VACHETTE
DOOR HANDLE
CATALOGUE



SILLAGE

As a result of the close collaboration between Vachette and IDA Paris design, Sillage is the affirmation of Vachette's positioning in the world of high class door handles. Coated with brass titanium protection, Sillage's striking and pointed line makes it a model with a strong personality.

Available in two finishes:

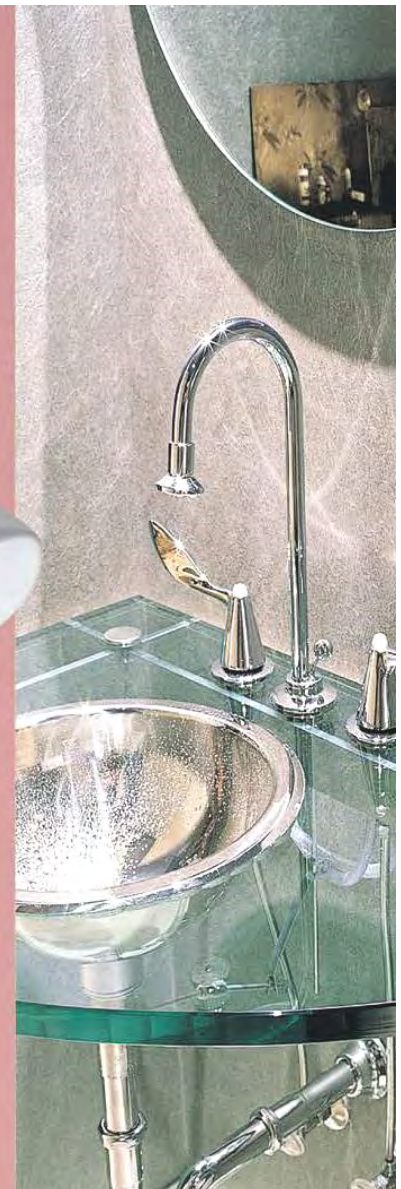
- Satin chrome
- Polished chrome

Lever handles on long plates (224 x 42 mm)

- Also available Fixed knob + inside lever
- Bolt through fixing invisible outside
- Fixing centers 195 mm

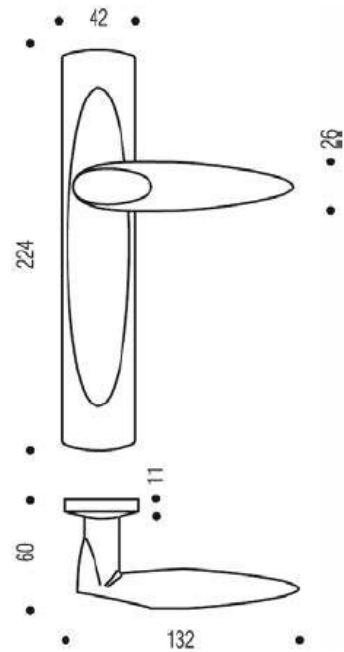
Lever handles on roses (Ø 46 mm)

CHROME
DOOR
ASSEMBLY



SILLAGE PRODUCTS

LEVER HANDLE SET ON LONG PLATES

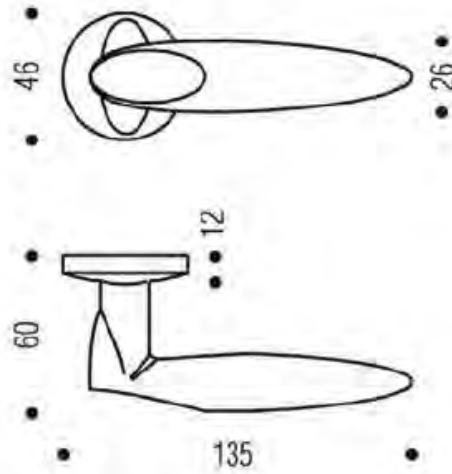


Ref. 136/6340

Functions

- For passage lock
- For euro cylinder
- For privacy

LEVER HANDLE SET ON ROSES

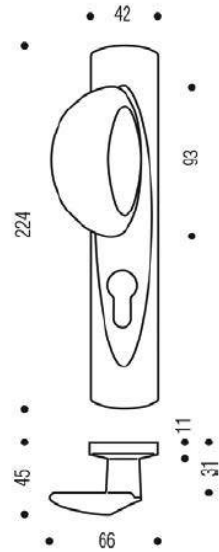
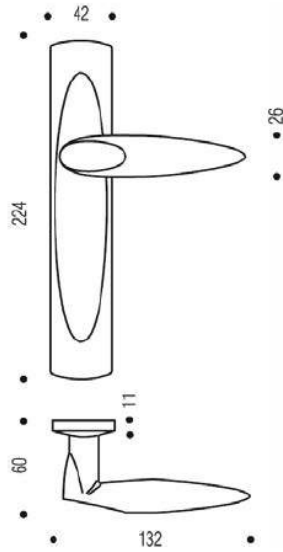


Ref. 136/6500

Functions

- For euro cylinder
- For privacy

FIXED KNOB + INSIDE LEVER ON LONG PLATES



Ref. 539/136/6340

Functions

- For euro cylinder



MUZE

Fluid design which will perfectly match all kinds of modern interiors.

Available in three finishes:

- Satin chrome
- Platinum
- Black diamond

Lever handles on long plates (220 x 41 mm)

Lever handles on Short plates (185 x 41 mm)

- Also available Fixed knob + inside lever
- Bolt through fixing invisible outside
- Fixing centers 195 mm / 165 mm

Lever handles on roses

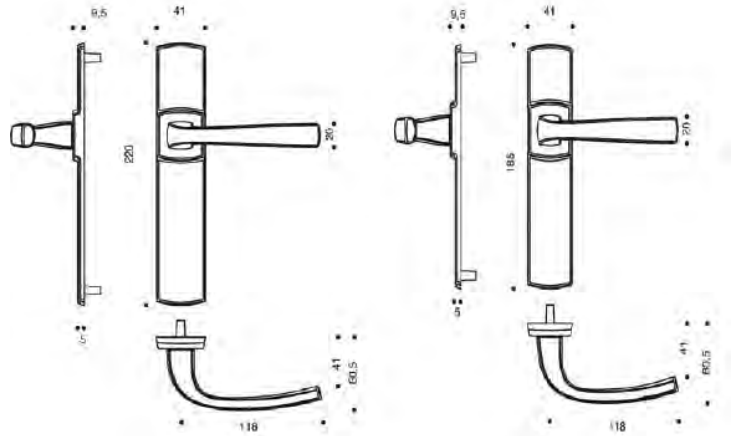
- Square rounded corners (52 x 52 mm)
- Also available Fixed knob + inside

CHROME
DOOR
ASSEMBLY



MUZE PRODUCTS

LEVER HANDLE SET ON PLATES



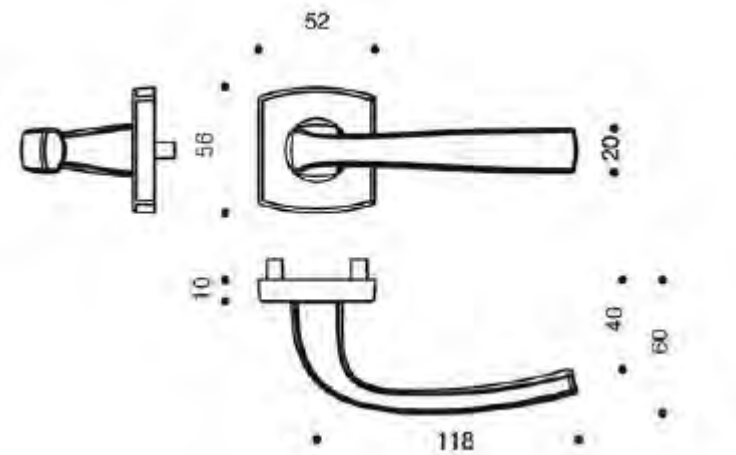
Long plates: 195 mm - Ref. 4075 / 6391

Short plates: 165 mm - Ref. 4075 / 6390

Functions

- For passage lock
- For euro cylinder
- For privacy
- For privacy with Indicator

LEVER HANDLE SET ON ROSES

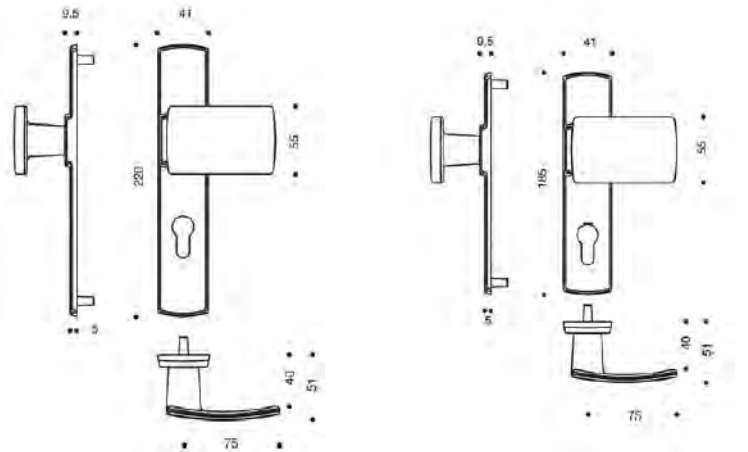


Ref. 4075 / 6425

Functions

- For passage lock
- for euro cylinder
- For privacy
- For privacy with Indicator

FIXED KNOB + INSIDE LEVER ON PLATES



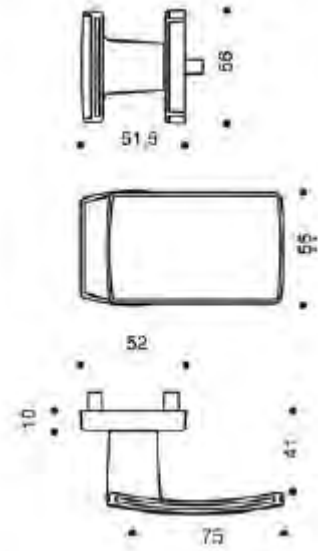
Long plates: 195 mm - Ref. 525/4075/6391

Short plates: 165 mm - Ref. 525/4075/6390

Functions

- For euro cylinder

FIXED KNOB + INSIDE LEVER ON ROSES



Ref. 525/4075/6425

Functions

- For euro cylinder

ARTIS

Fluid design which will perfectly match all kinds of modern interiors.

Available in three finishes:

- Satin chrome
- Platinum
- Black diamond

Lever handles on long plates (220 x 41 mm)

Lever handles on Short plates (185 x 41 mm)

- Also available Fixed knob + inside lever
- Bolt through fixing invisible outside
- Fixing centers 195 mm / 165 mm

Lever handles on roses

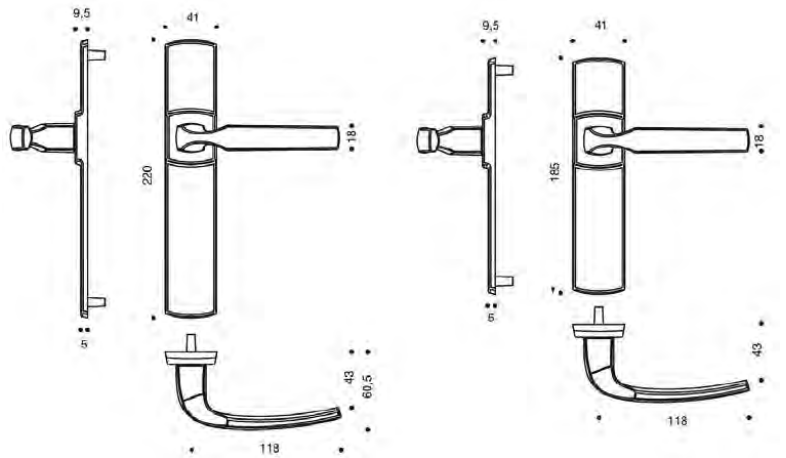
- Square rounded corners (52 x 52 mm)
- Also available Fixed knob + inside

CHROME
DOOR
ASSEMBLY



ARTIS PRODUCTS

LEVER HANDLE SET ON PLATES



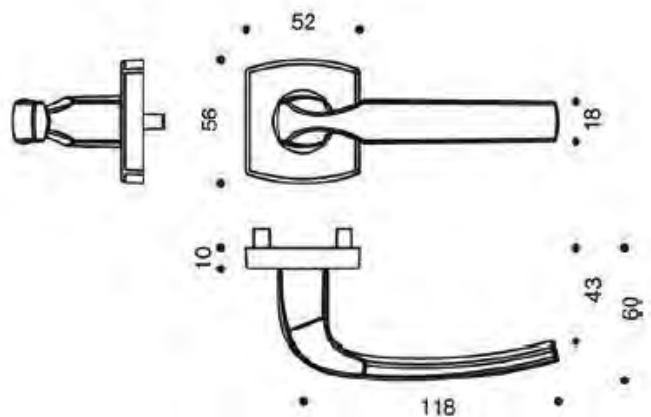
Long plates: 195 mm - Ref. 4076 / 6391

Short plates: 165 mm - Ref. 4076 / 6390

Functions

- For passage lock
- For euro cylinder
- For privacy
- For privacy with Indicator

LEVER HANDLE SET ON ROSES

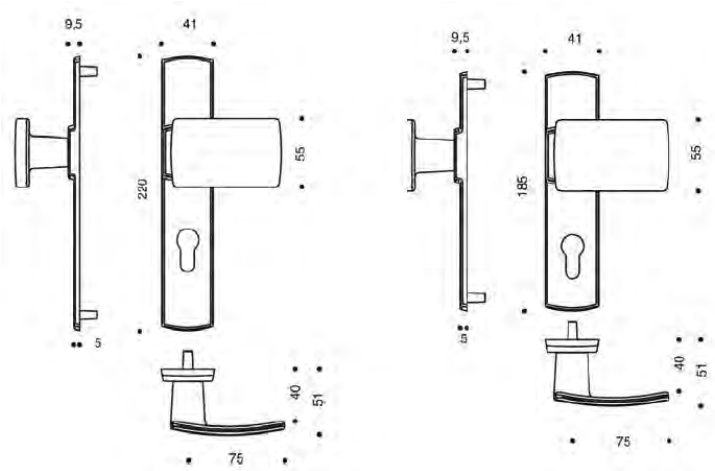


Ref. 4076 / 6425

Functions

- For passage lock
- for euro cylinder
- For privacy
- For privacy with Indicator

FIXED KNOB + INSIDE LEVER ON PLATES



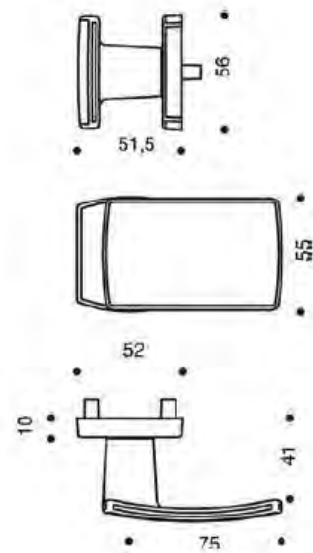
Long plates: 195 mm - Ref. 525/4076/6391

Short plates: 165 mm - Ref. 25/4076/6390

Functions

- For euro cylinder

FIXED KNOB + INSIDE LEVER ON ROSES



Ref. 525/4076/6425

Functions

- For euro cylinder

ALTO

The U shape handle with its unique design that complies with the EN 179 norm available in new finishes anti microbial and environmental friendly. Design in conjunction with the well-known French designer IDA Paris, Alto offers an alternative to the classic U shape handle and complies with EN 179.

Available in three finishes:

- Satin chrome
- TAM (Anti Microbial Treatment)
- Soleco (Environmental friendly surface treatment)

Lever handles on long plates (215 x 41 mm)

- Also available Fixed knob + inside lever
- Bolt through fixing invisible outside
- Fixing centers 195 mm

Lever handles on roses (Ø 52 mm)

- Also available Fixed knob + inside lever

Lever handles on square plates (150 x 150)

- Bolt through fixing invisible outside

Lever handles on half circular plates (230 x 115)

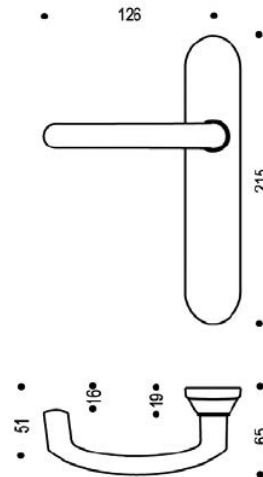
- Bolt through fixing invisible outside

CHROME
DOOR
ASSEMBLY



ALTO PRODUCTS

LEVER HANDLE SET ON LONG PLATES



Ref. 4068 / 6311

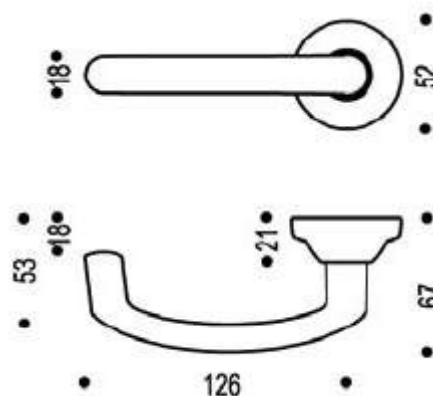
Functions

- For passage lock
- For euro cylinder
- For privacy
- For privacy with Indicator

Finishes

- Satin chrome
- TAM (Anti Microbial Treatment)
- Soleco (Environmental friendly surface treatment)

LEVER HANDLE SET ON ROSES



Ref. 4068 / 6371

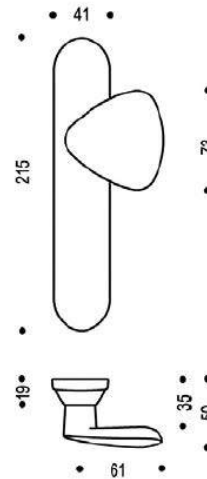
Functions

- For passage lock
- for euro cylinder
- For privacy
- For privacy with Indicator

Finishes

- Satin chrome
- TAM (Anti Microbial Treatment)

FIXED KNOB + INSIDE LEVER ON LONG PLATES



Ref. 533 / 4068 / 6311

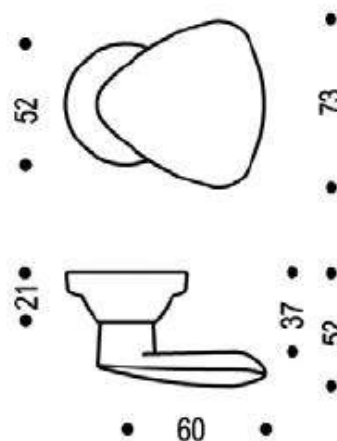
Functions

- For euro cylinder

Finishes

- Satin chrome
- TAM (Anti Microbial Treatment)
- Soleco (Environmental friendly surface treatment)

FIXED KNOB + INSIDE LEVER ON ROSES



Ref. 4076 / 6425

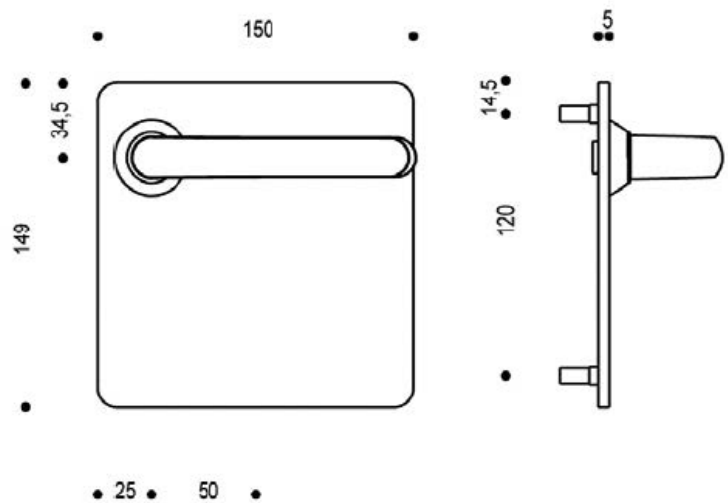
Functions

- For euro cylinder

Finishes

- Satin chrome

LEVER HANDLE SET ON SQUARE PLATES



Ref. 6350 DOME/4068 DOME

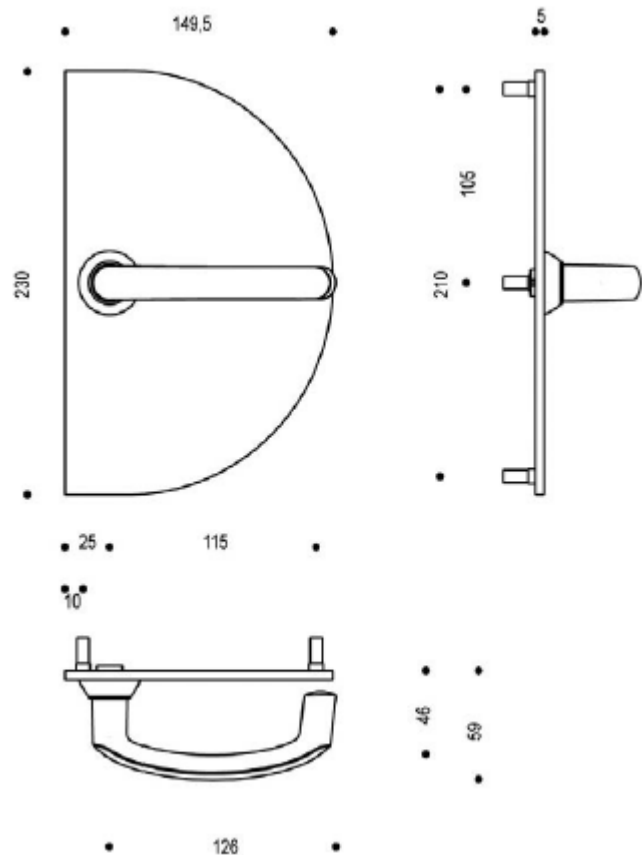
Functions

- For passage lock
- For euro cylinder
- For privacy
- For privacy with Indicator

Finishes

- TAM (Anti Microbial Treatment)

LEVER HANDLE SET ON CIRCULAR PLATES



Ref. 6360 DOME/4068 DOME

Functions

- For passage lock
- For euro cylinder
- For privacy
- For privacy with Indicator

Finishes

- TAM (Anti Microbial Treatment)

URBAN

Designed to appeal to passionate of design and ergonomic lovers, Urban is the expression of the esthetics in high end commercial and residential buildings. Urban offers a unique features : changing the design by returning the handle.

Available in two finishes:

- Satin Natural anodised
- Anodinox (SS aspect)

Lever handles on long plates (230 x 42 mm)

- Round corners
- Square corners
- Also available Fixed knob + inside lever
- Bolt through fixing invisible outside
- Fixing centers 195 mm

Lever handles on roses

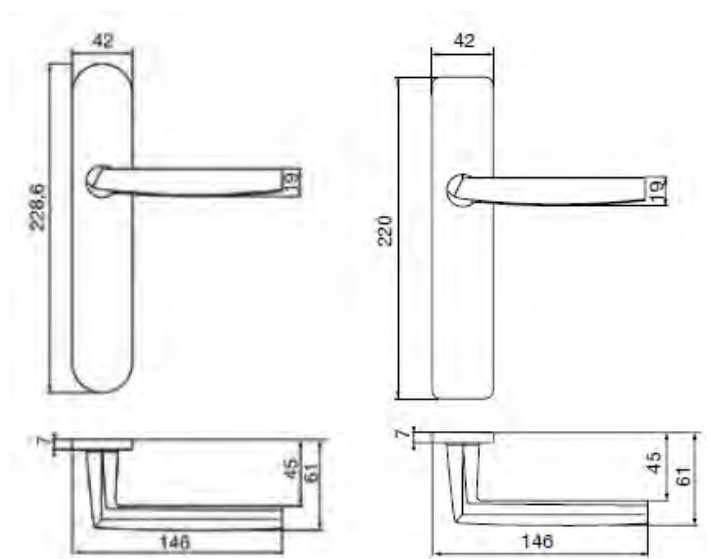
- Round (Ø 52 mm)
- Square (52 x 52 mm)
- Also available Fixed knob + inside lever
- Bolt through fixing invisible
- Fixing centers 38 mm

ALUMINIUM DOOR ASSEMBLY



URBAN PRODUCTS

LEVER HANDLE SET ON LONG PLATES



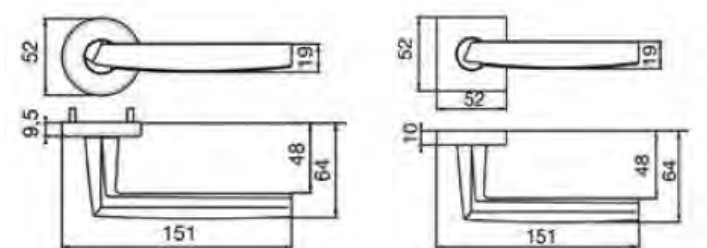
Round corners - ref. 1359/6341

Square corners - ref. 1359/6331

Functions

- For passage lock
- For euro cylinder
- For privacy
- For privacy with Indicator

LEVER HANDLE SET ON ROSES



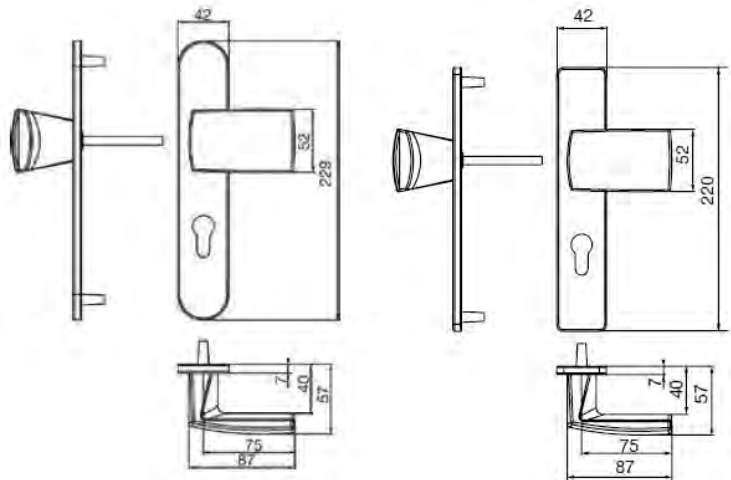
Round corners - ref. 1359/6420

Square corners - ref. 1359/6421

Functions

- For passage lock
- for euro cylinder
- For privacy
- For privacy with Indicator

FIXED KNOB + INSIDE LEVER ON LONG PLATES



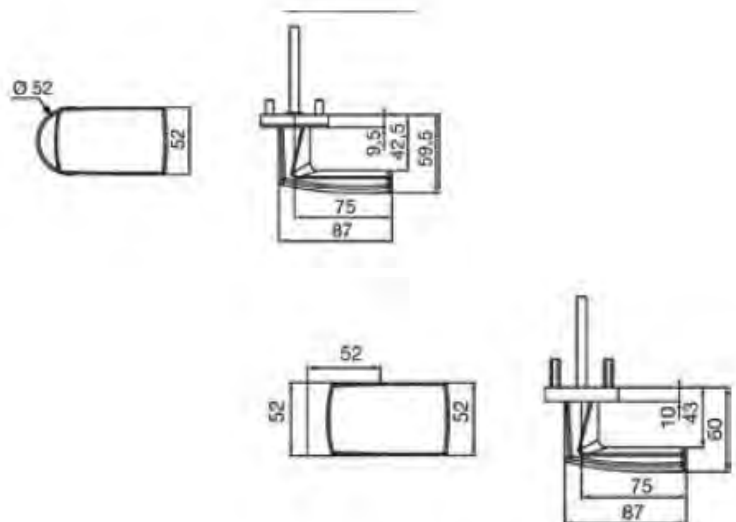
Round corners - Ref. 543/1359/6341

Square corners - Ref. 543/1359/6331

Functions

- For euro cylinder

FIXED KNOB + INSIDE LEVER ON ROSES



Round corners - Ref. 543/1359/6420

Square corners - Ref. 543/1359/6421

Functions

- For euro cylinder

CITYZEN

Designed to appeal to passionate of design and ergonomic lovers, Cityzen is the expression of the esthetics in high end commercial and residential buildings. Cityzen got the expertise of Vachette in its urban character, combined with extreme robustness aspirations. With a complete range, Cityzen is becoming the "business class" architectural solutions.

Available in two finishes:

- Natural anodized
- Anodinox (SS aspect)

Lever handles on long plates (230 x 42 mm)

- Round corners
- Square corners
- Also available Fixed knob + inside lever
- Bolt through fixing invisible outside
- Fixing centers 195 mm

Lever handles on roses

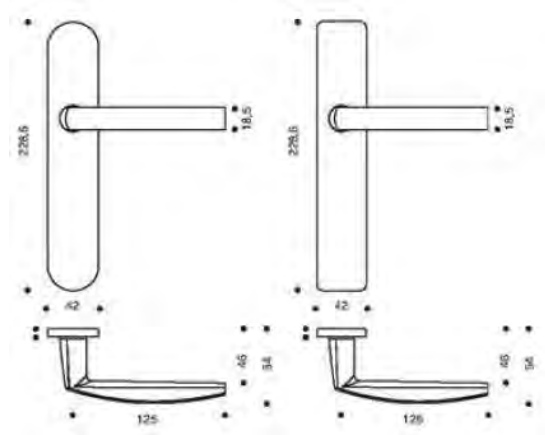
- Round (Ø 52 mm)
- Square (52 x 52 mm)
- Also available Fixed knob + inside lever
- Bolt through fixing invisible
- Fixing centers 38 mm

ALUMINIUM
DOOR
ASSEMBLY



CITYZEN PRODUCTS

LEVER HANDLE SET ON LONG PLATES



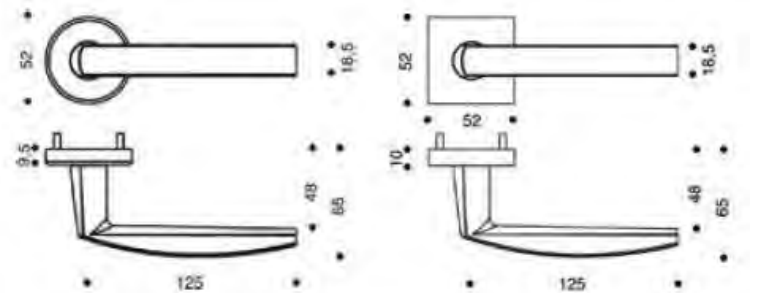
Round corners - ref. 1357/6341

Square corners - ref. 1357/6331

Functions

- For passage lock
- For euro cylinder
- For privacy
- For privacy with Indicator

LEVER HANDLE SET ON ROSES



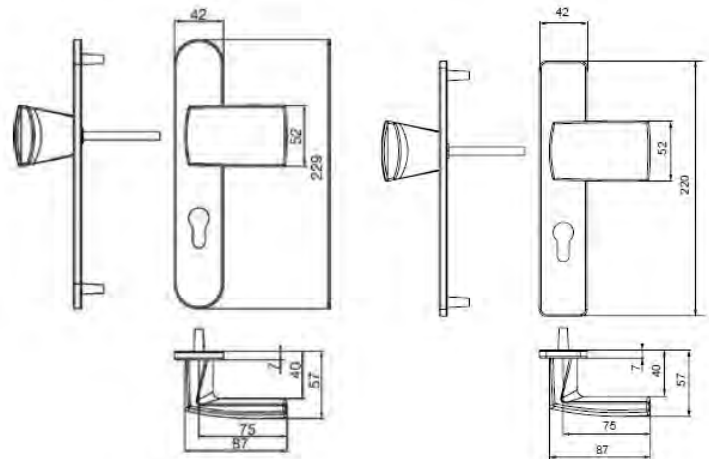
Round corners ref. 1357/6420

Square corners ref. 1357/6421

Functions

- For passage lock
- for euro cylinder
- For privacy
- For privacy with Indicator

FIXED KNOB + INSIDE LEVER ON LONG PLATES



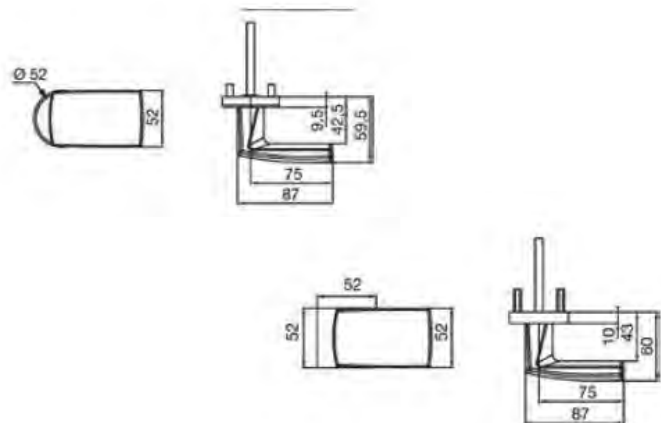
Round corners - Ref. 543/1357/6341

Square corners - Ref. 543/1357/6331

Functions

- For euro cylinder

FIXED KNOB + INSIDE LEVER ON ROSES



Round corners - Ref. 543/1357/6420

Square corners - Ref. 543/1357/6421

Functions

- For euro cylinder

LINOX

Linnox range offers solid stainless steel handles with most popular and classic designs, technically developed to meet the EN 1906 standards

Available in one finishes:

- Brushed stainless steel

Lever handles on roses (Ø 52 mm)

- Also available Fixed knob + inside lever

**STAINLESS
STEEL DOOR
ASSEMBLY**



LINOX PRODUCTS

LEVER HANDLE SETS ON LONG PLATES



1. Ref. 491/6327

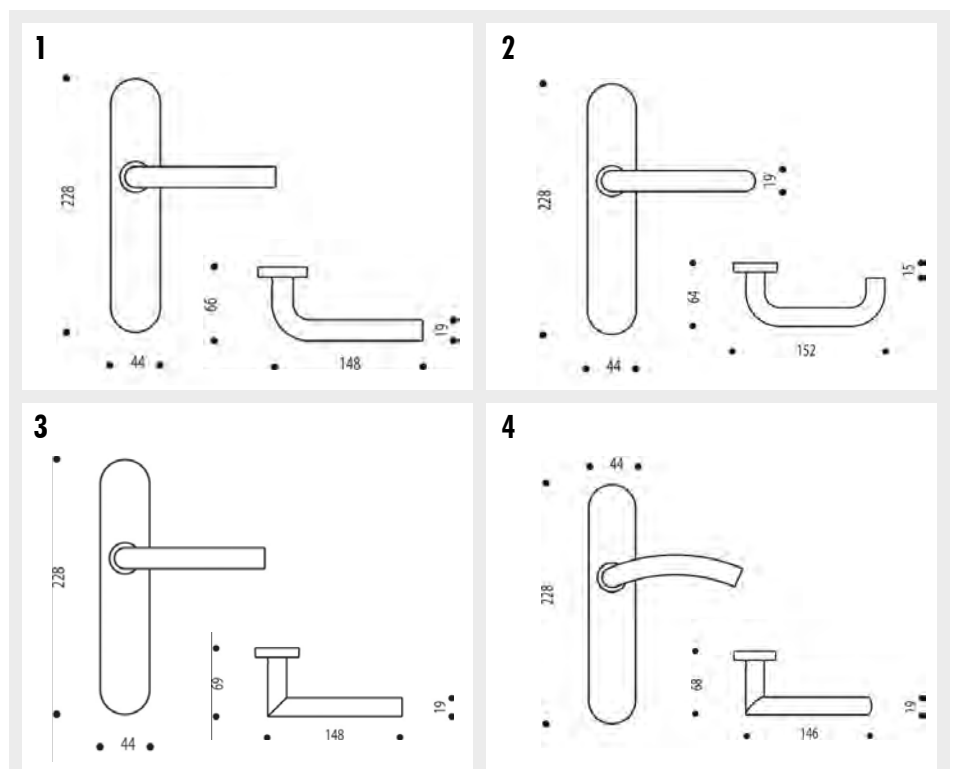
2. Ref. 492/6327

3. Ref. 493/6237

4. Ref. 494/6237

Functions

- For passage lock
- For euro cylinder
- For privacy
- For privacy with Indicator



LEVER HANDLE SETS ON ROSES



1. Ref. 491/6450
2. Ref. 492/6450
3. Ref. 493/6450
4. Ref. 494/6450

Functions

- For passage lock
- For euro cylinder
- For privacy
- For privacy with indicator

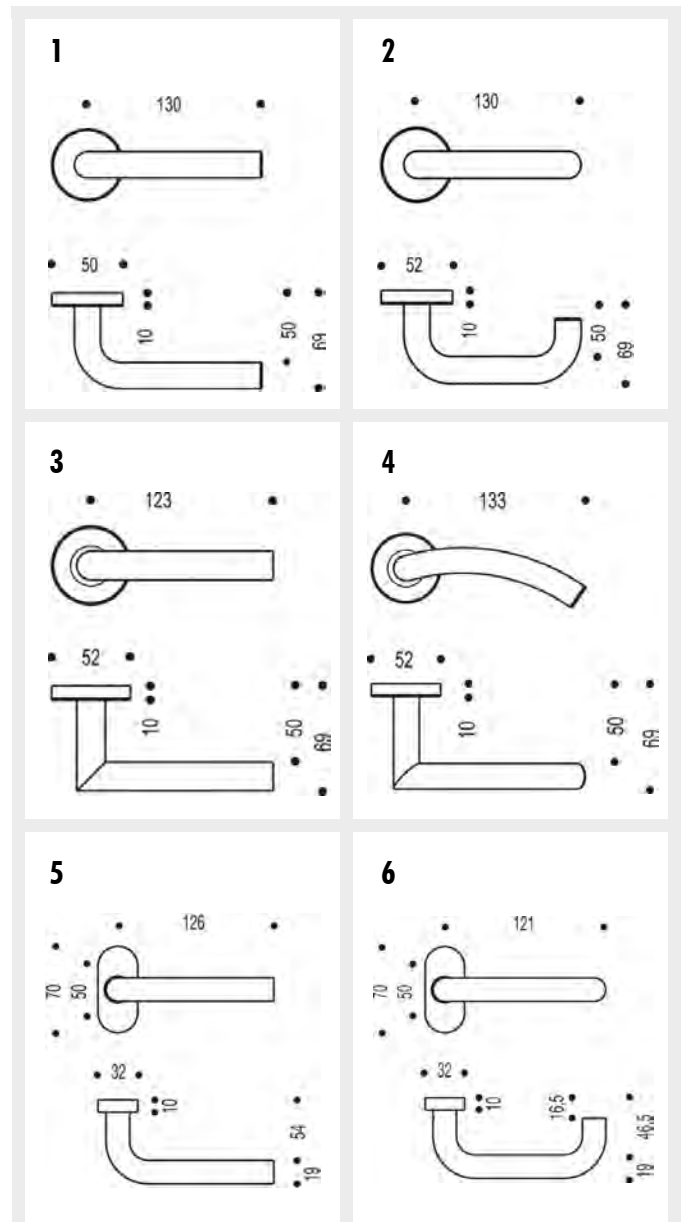
LEVER HANDLE SETS ON OVAL ROSES



5. Ref. 491/6450
6. Ref. 492/6450

Functions

- For passage lock
- For euro cylinder
- For privacy
- For privacy with Indicator



FIXED KNOB + INSIDE LEVER ON LONG PLATES



1. Ref. 30/491/6327

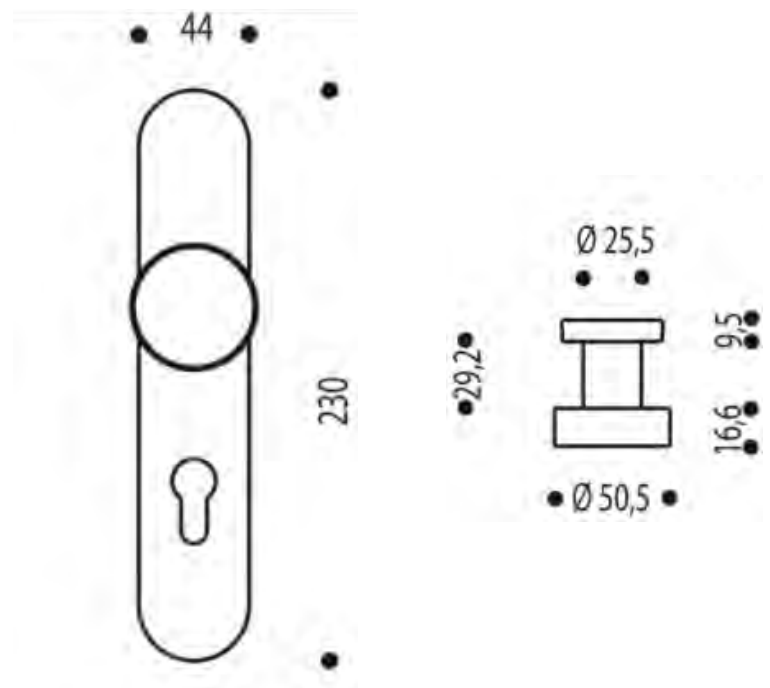
2. Ref. 30/492/6327

3. Ref. 30/493/6237

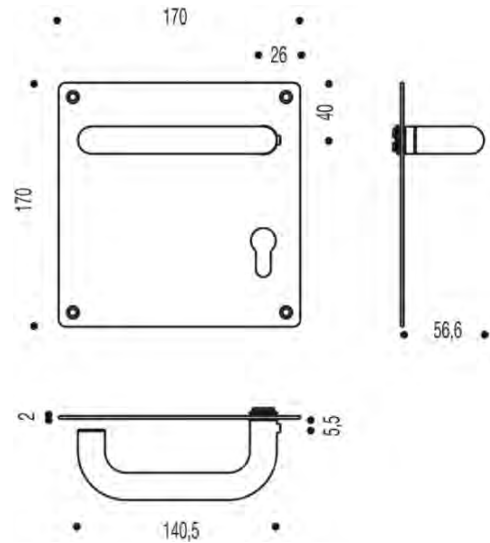
4. Ref. 30/494/6237

Functions

- For passage lock
- For euro cylinder
- For privacy
- For privacy with Indicator



LEVER HANDLE SET ON SQUARE PLATES



Ref. 492/6351

LEVER HANDLE MODEL 942 SIZE SELECTION



Model 942 lever handle is offered in different sizes for both long plates and roses.

Long Plates

130 mm - Ref. 492/6327

175 mm - Ref. 492XL/175/6327

240 mm - Ref. 492XL/240/6327

320 mm - Ref. 492XXL/6327

Roses

130 mm - Ref. 492/6450

175 mm - Ref. 492XL/175/6450

240 mm - Ref. 492XL/240/6450

320 mm - Ref. 492XXL/6450

SECUMAX UP

Secumax range offers universal security level handle set for renovation.

Available in three finishes:

- Natural anodized
- Champagne anodized
- Brushed stainless steel

Lever handles on roses (Ø 52 mm)

- Also available Fixed knob + inside lever

SAFETY
SET DOOR



SECUMAX UP PRODUCTS

LEVER HANDLE SET ON LONG PLATES

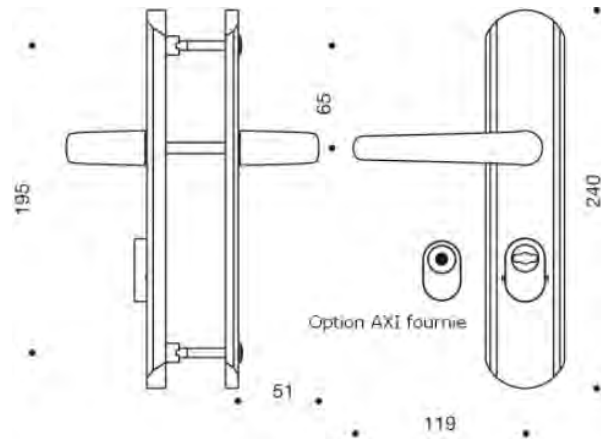


Wide Plate - Ref. 1338L/6349

Narrow Plate

Escutcheon thickness 8 mm - Fixing centers 92 mm - Door thickness 58 to 68 mm - Ref 1338L/6359

Escutcheon thickness 7 mm - Fixing centers 70 mm - Door Thickness 38 to 48 mm



Ref. 338L/6359

Functions

- For passage lock
- For euro cylinder
- For privacy
- For privacy with Indicator



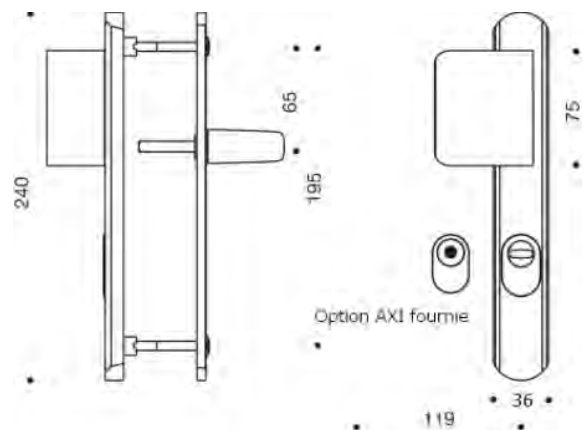
FIXED KNOB + INSIDE LEVER HANDLE ON LONG PLATES



Wide Plate - Ref. 534/1338L/6349

Narrow Plate

Escutcheon thickness 8 mm - Fixing centers 92 mm - Door thickness 58 to 68 mm
Ref. 534/1338L/6359



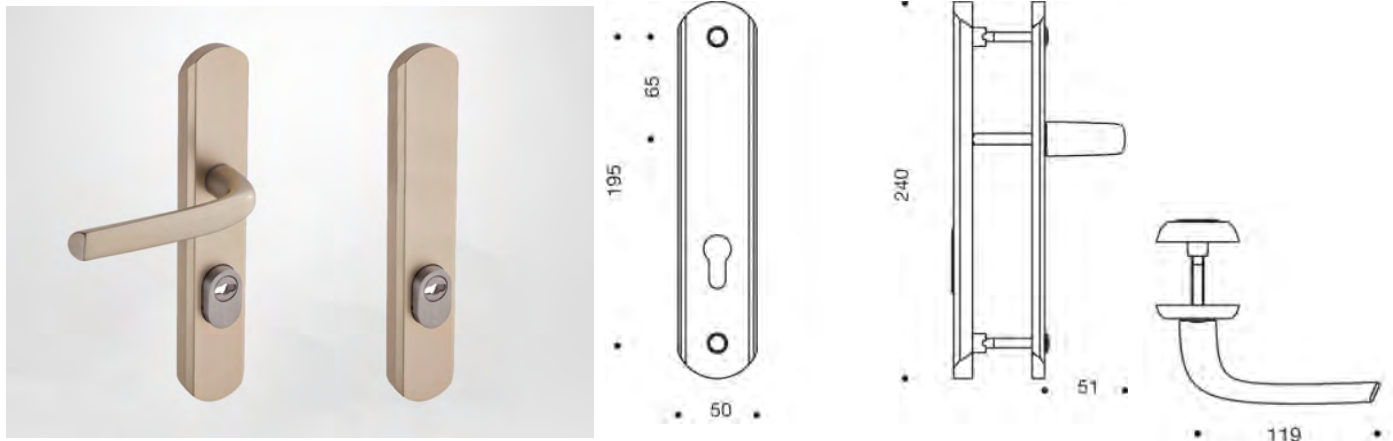
Escutcheon thickness 7 mm - Fixing centers 70 mm - Door Thickness 38 to 48 mm

Ref. 534/1338L/6359

Functions

- For euro cylinder

BLINDED PLATE + INSIDE LEVER ON LONG PLATES



Wide Plate - Ref. 1338L/6349

Narrow Plate

Escutcheon thickness 8 mm - Fixing centers 92 mm - Door thickness 58 to 68 mm - Ref 1338L/6359

Escutcheon thickness 7 mm - Fixing centers 70 mm - Door Thickness 38 to 48 mm - Ref. 338L/6359

5MM PLATE FOR PLATE 6349 EXTENSION

Functions

- For passage lock
- For euro cylinder
- For privacy
- For privacy with Indicator



Ref. 6349 REH EXT



PRODUCT CATALOGUE



Disclaimer

Information in this catalogue is correct at the time of printing and valid but may be subject to change.

This material does not purport to constitute legal or professional advice. Allianz accepts no responsibility for and makes no representations, whether express or implied, as to the accuracy or reliability in any respect of any material in this publication. Except to the extent mandated otherwise by legislation, Allianz does not accept responsibility for the consequences of any reliance which may be placed on this material by any person.

Allianz will not be liable to you or to any other person for any loss or damage (including direct, consequential or economic loss or damage) however caused and whether by negligence or otherwise which may result directly or indirectly from the use of this publication.

Copyright Allianz International
© Allianz International 2018.

Except as permitted by the Copyright Act, this material may not be reproduced, stored or transmitted without the permission of the copyright owner. All enquiries must be directed to Allianz International.

Published by Allianz International 2018.

CONTENT PAGE

WHAT IS MIWA?	4
WHY CHOOSE MIWA?	5
MIWA OFFLINE SYSTEM (ALV2) CATALOGUE	5
ALV2	5
WHY RFID?	6
BASIC FUNCTION OF ALV2 SYSTEM LOCK	7
MIWA OFFLINE SYSTEM PRODUCT RANGE	8
ALV2-P SERIES	9
ALV2-SLIM SERIES	14
MIWA MECHANICAL LOCK CATALOGUE	16
WORKING PARTS OF A LOCK	17
MIWA CYLINDER TYPES	18
PR CYLINDER	18
U9 CYLINDER	20
LEVER HANDLE AND PULL PLATES DESIGN	22
COMMERCIAL RANGE	22
RESIDENTIAL RANGE	24
LEVER HANDLE LOCK	27
MIWA ELECTRIC LOCKS CATALOGUE	29
ELECTRIC LOCK SYSTEM APPLICATION	30



WHAT IS MIWA?

MIWA is a true lock maker who manufacture and control quality for every aspect of every lock, from start to finish. Our emphasis on research and development ensures you of the most advanced technology and materials. Headquartered in Tokyo, Japan, MIWA is a family-owned company comprised of 1,562 employees who are dedicated to your security needs.

Since 1945, MIWA Lock Company, Ltd. has grown to become Japan's foremost provider of high-performance locks and security systems. From the first offline electronic hotel locking system, to today's flagship product, MIWA sets the global standard for programmable lock technology. Our reputation for quality and reliability has made us the choice of leading hotel chains around the world.

WHY CHOOSE MIWA?

Having projects in over 6 countries worldwide, MIWA has positioned themselves as global leaders in providing the Tourism and Hospitality Industry with reliable and innovative Locking Systems.

1. High Security Software

- Encrypted key data with MIWA's unique algorithm
- Special card with hotel code is needed for first security handshake
- No worry to be hacked from lock bottom plug

2. Superb Mechanical Construction

- Extra smooth operation
- Low noise
- High durability. The ALV2 Series has a dual hub for superior durability, with separate HUB and individual spring.

3. Advanced technology

ANSI Certified, Grade 1 and passed the UL and BSEN fire test certification

4. Environmental friendly

We are working to prevent global warming in all stages of our operations, by aiming for longer product life in the development step, and improving the product cycle, both of which will reduce CO₂ emissions. We have put forth a 30% reductions target, and are promoting the concept of reduce, reuse, and recycle. Additionally, legally mandated levels for BOD and COD in waste water are 120mg/l ; however we have achieved 10mg/l, and we are striving to reach 8mg/l. Activities such as these have been recognized by our receiving ISO14001 environmental management certification.

*MIWA OFFLINE
SYSTEM (ALV₂)
CATALOGUE*



ALV₂



ALV₂ is the latest in a long line of electronic locking solutions from Miwa Lock and is designed specifically for today's busy hospitality industry. Using the latest in Radio Frequency Identification (RFID) technology the new locking system is attractive yet durable and easy for guests and staff to use.

The thirty plus years of experience are easy to detect when looking at this system. A hotel lock in today's world is no longer just a means for closing the guest room door but an important part in the overall running of a busy hotel. As the only piece of technology in your property that the guest has to use multiple times it is vitally important that it does its job effectively every time, without fail.

The mechanics and electronics of this lock are second to none having passed the prestigious ANSI 156.25 grade 1 electronic lock test, this also takes in the electronics too. The system has been designed to make it easy for your staff to use yet still have the features you need to run your hotel safely and securely.

WHY RFID?

RFID or Radio Frequency Identification gives the ALV2 locks the ability of reading and writing to the guest and staff cards without them touching the lock. Simply place the card within half an inch of the reader and the lock will open. This technology has several advantages over existing magnetic strip and smart card systems.

Ease of use

Without the need to insert or swipe the key card, guests of all ages will find the ALV2 lock more intuitive, the keycard can be offered to the lock from any direction.

Read and write

When a card is used to open a lock it can now be written to as well as read.

Guest cards - if a lock does not open when a guest card is used the reason for this is written on the card. This can be read by the staff in the hotel and problem can be immediately rectified.

Staff cards - Various information is added to the staff card every time it used to open a lock. This would include the room and time the lock was opened as well as the status of the batteries in each location.

Master key structure

With the use of RFID cards the master key structure for your staff can be configured to match your operating requirements. Each staff member can be issued a card that only gives them access to areas that their job demands. Should the need arise these can be changed on an individual basis, by you without the need to reprogram any of the locks.





Batteries

ALV2 uses just four standard alkaline batteries. The ALV2 lock has three ways to warn your staff of when lock batteries are low. First, the green light will flash when a staff card is used in the lock. If this is not sufficient, the lock can be programmed to make beep in the same situation. Furthermore, each time a staff member opens a lock, data is written onto their card. At the end of each day, the data can be read and provide you information on any locks that have low batteries. ALV2 is designed to interface to both PMS and POS solutions, using RS232 or TCP/IP key data can be automatically sent to the Miwa system making the check in procedure more efficient and eliminating key stroke errors.

Interfacing

ALV2 is designed to interface to both PMS and POS solutions, using RS232 or TCP/IP key data can be automatically sent to the Miwa system making the check in procedure more efficient and eliminating key stroke errors.

Other Systems

Miwa has a flexible software which allows user to share the cards used with ALV2 with other systems in your property. These could include systems such as time and attendance or even other access control systems.

Auditable Security

ALV2 can be audited from every angle. The system has been designed to enable your security and operations personnel complete control over the access to your property. The front desk system can be audited to see who has made staff or guest keys in the last 600 transactions and the staff keys also hold data on the last 140 locks they have been used in.

Other Systems

Whether your property is large or small the cost of a new locking system is still substantial. At Miwa we take this very seriously thus we build systems that last. We also realize that technology changes and advances, hence we have built a new system that can be used to upgrade our existing AL5H locks without the need to replace everything. The new ALV2 P type front escutcheons retro fit directly onto the existing lock case.



Card Control

As with all previous Miwa systems, new guest cards cancel old guest cards and each staff card can be cancelled should it become lost or stolen.

Key Types

Unlike magnetic cards, ALV2 offers several different options for keys as the proximity chip can be installed into several different forms. For example we are able to offer wrist bands for guests; these are worn and are useful in resort hotels where carrying a card is not always easy. Key fobs are also available which can be added to standard key rings or attached by a cord to the staff member's uniform.

BASIC FUNCTION OF ALV₂ SYSTEM LOCK

Reader Technology	RFID (Compatible with Near Field Communication (NFC))
Available Card	ISO 1443 (RFID) Type-A Mifare Standard (Classic) 4KB/1KB Miifare Ultralight 64B
Standard Handles	4 types
Escutcheon design	2 types
Finishes	5 finishes
Power Supply	4 AA Alkaline batteries
Interrogation logs (Audit trail lock events)	600 events (can be downloaded by DTU or IR card)
Mechanical key override	Optional (Can be recorded in interrogation logs)

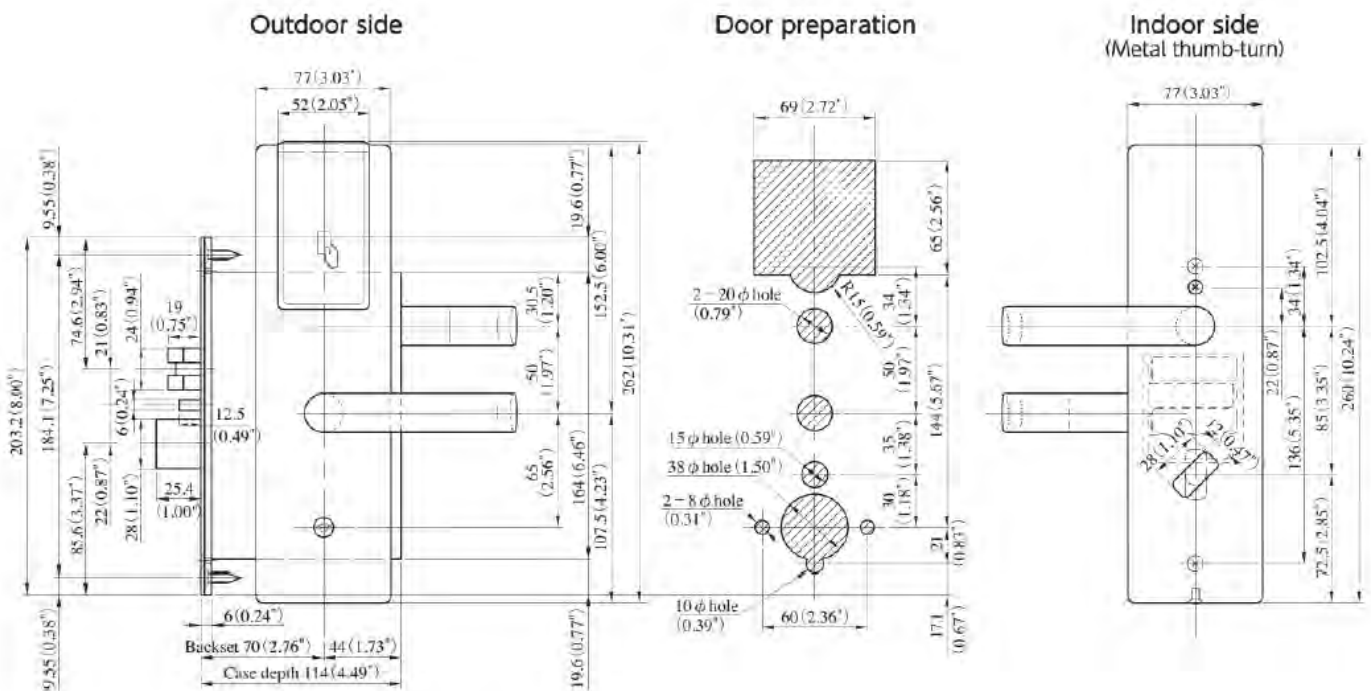
Software

OS	Windows 7 Professional 32Bit
Auto backup function	Available
Staff ID	Up to 500 ID
Card encoder	Up to 30 encoders can be connected to one PC
PMS Interface/POS Interface	Available

MIWA OFFLINE SYSTEM

PRODUCT RANGE

ALV2-P SERIES



FEATURES AND SPECIFICATION

- Compatible with ALV2 system software.
- RFID Mifare Classic (ISO 1443 Type A) guest 1K & UL, staff 4K.
- NFC equipped for use with mobile devices.
- PMS and POS interface ready.
- Sealed electronics suitable for interior and exterior applications.
- ADA compliant levers and thumb-turn.
- UL fire listed up to 3 hours.
- FCC and CE certified compliant.
- Suitable for guest rooms, staff areas and common doors.
- 600 event's on lock audit
- Visual LED (green, red & yellow) with optional audible signal.
- 140 event's on staff credentials (keycard, fob, wrist band).
- Staff credentials have day-of-week and time-of-day programming.
- IrDA wireless programming—no cable connection or port on lock.
- Emergency card overrides deadbolt in use.
- Standard warranty three years, extended warranty plans available

PRODUCT DESCRIPTION

Product Name	ALV2-P
Product Num-	Without cylinder
Mountable Handles	66 67 74 476 478
Cylinders (optional)	U9
Material / Finish	Satin Stainless Steel (grade 304)
	Polished Stainless Steel (grade 304)
	Satin Brass
	Polished Brass
	Mild Bronze
Power Supply	4-AA alkaline batteries, normal battery life two years
Door Thickness	1.38" to 2.17" (35mm to 55mm)
Backset	2-3/4' (70mm)
Lock Options	ANSI 156.25-2007 & ANSI 156.13-2005 certified compliant
	Anti-panic function - deadbolt and latch retract automatically Automatic deadbolt optional
Handing	Factory handed: left, right, left reverse, right reverse
Weight	Approx. 10 lbs.
Environmental Conditions	Operating temperature 32°F to 104°F (0°C to 40°C)
	Range of humidity: 35% to 85% RH

FEATURES

Guest Room Lock

- ANSI Grade 1 (ANSI 156.25) electronic lock. UL tested and stamped.
- Full mortise with 1 inch deadbolt, 3/4 inch latch and anti pick mechanism.
- Dual technology works with RFID Mifare standard 1k and 4k Mifare credentials.
- Each guest card has the option to add up to 6 additional guest rooms, plus all common areas and special VIP areas.
- Guest cards can be programmed to open an individual lock or multiple locks within a property.
- System allows the option for guests and staff to use, cards, key fobs or wrist bands.
- Guest and standard staff cards cannot override deadbolt, visual signal given (flashing red light) if deadbolt in use. Emergency card overrides all locks where deadbolt is in use.
- Infra red programming and interrogation, no cable connection or data port on the lock.
- Last 600 transaction audit memory in the lock, last 140 transaction audit memory stored on all staff cards.
- ADA compliant levers and thumb-turn.
- Visual and audible low battery signal on staff cards only.
- Staff cards can be timed and set to operate on chosen days of the week.

Common areas, storage, offices, meeting rooms, non- guest rooms

- Locks can be programmed as common doors and non-guest doors.
- Locks can be programmed so guest cards can only work between set times.
- Locks can be programmed to automatically open between pre-determined times.
- Electronics are coated for exterior installation.
- Exterior steel and aluminum gate boxes are available.

PRODUCT DESCRIPTION

Product Name	Hotel Card Lock
Product Number	Without cylinder
Mountable Handles	66 67 74 476 478
Cylinders (optional)	U9
Material / Finish	Satin Stainless Steel (grade 304)
	Polished Stainless Steel (grade 304)
	Satin Brass
	Polished Brass
	Mild Bronze
Power Supply	4-AA alkaline batteries, normal battery life two years
Door Thickness	1.38" to 2.56" (35mm to 65mm)
Backset	2-3/4' (70mm)

MIWA

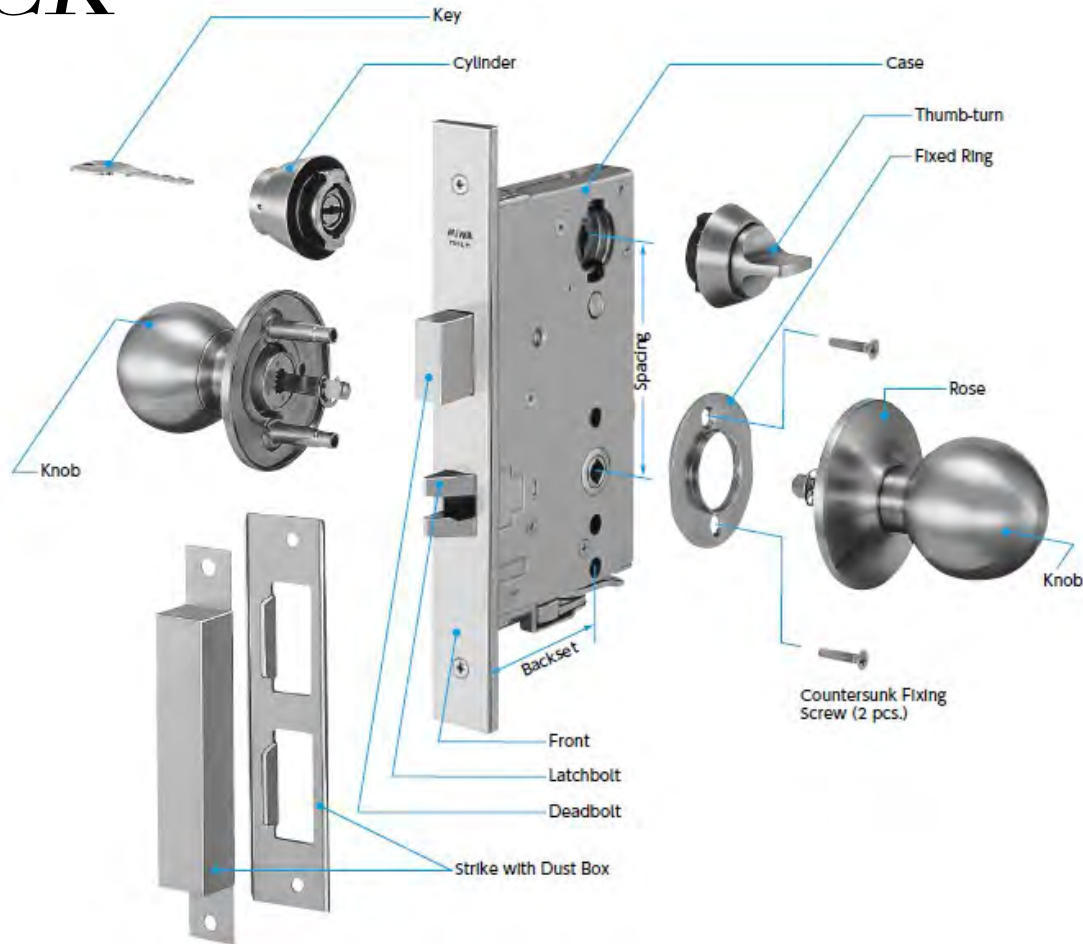
MECHANICAL

LOCKS

CATALOGUE



WORKING PARTS OF A LOCK



Thumb-turn	On the inside of a door equipped with cylinder lock, connected to lock cam. Operates deadbolt.
Knob	Serves as handle, operates latchbolt.
Front	This is the surface of the mortise lock case which appears at the cut end of the door. It includes openings for latch bolt and deadbolt as well as holes for screws which secure it. A lock bolt which is activated by key or thumb-turn, is square on all edges, and has no spring behind.
Deadbolt	A lock bolt which is activated by key or thumb-turn, is square on all edges, and has no spring behind it.
Latchbolt	That part of a lock which, because of a spring device behind it, slides in and then springs out to hold a door in position when it is closed.
Strike	The plate recessed into the door jamb, into which deadbolt or latchbolt fits when the door is closed or locked.
Case	Contains major lock components; the mortise type fits into the door and the rim type is fastened to the surface of the door.
Cylinder	A removable unit on high-grade locks which contains the tumblers and receives only the correct key, which when turned operates the lock.
Backset	Horizontal distance from front surface of lock to the center of knob or cylinder.
Spacing	Vertical distance between the center of cylinder and the center of knob.

CYLINDER TYPES

PR CYLINDER

FOR HOUSING COMPLEX (TWO-WAY ROTARY CYLINDER, REVERSIBLE KEY TYPE)



FEATURES

- **A two-way rotary tumbler cylinder with high security**

The PR Cylinder has a 2-way construction consisting of main and side tumblers whose contact surfaces are different, giving 100 billion possible number of key combination.

- **Enormous number of key combination**

Eleven tumblers in eleven chambers, whose main and side tumblers are positioned at four-level and two-level respectively, give the lock 100 billion possible number of key combination.

- **Superior durability**

Like the U9 Cylinder, PR has extreme dust-proof and wear resistance.

- **High security**

The cylinder is extremely difficult to pick because the locking bar does not rotate

until all tumblers are aligned at the same time and the anti-picking structure has a complicated shape. Also PR is highly resistant to drilling due to the use of extremely hard parts in the cylinder.

- **Available key systems**

- ⇒ Master-keying system
- ⇒ Keyed-alike system
- ⇒ Grand master-keying system
- ⇒ Construction keying system
- ⇒ Multi-master-keying system
- ⇒ Double construction keying system
- ⇒ Common keying system

- **Square Cylinder available.**

Square Cylinder is also available. Specifications differ from those for a standard cylinder.

Without the key inserted

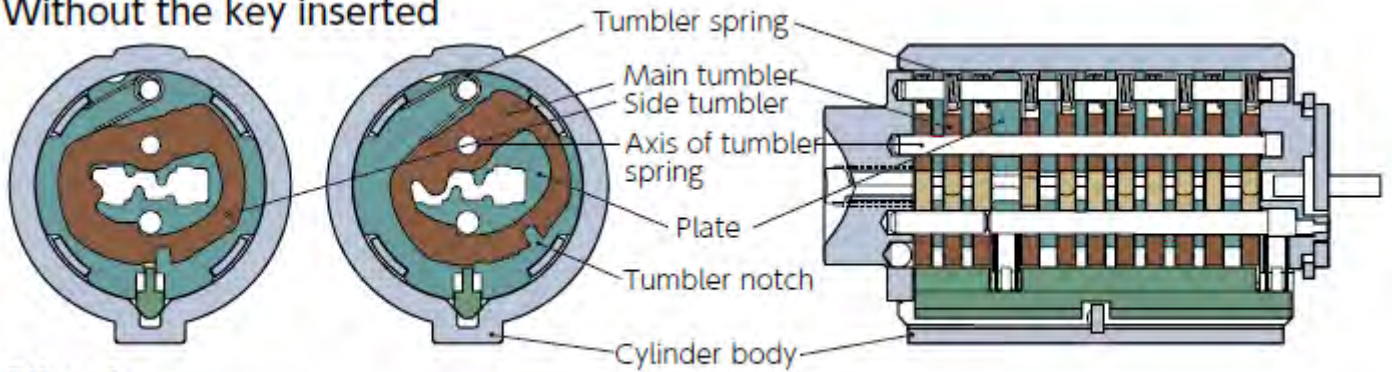
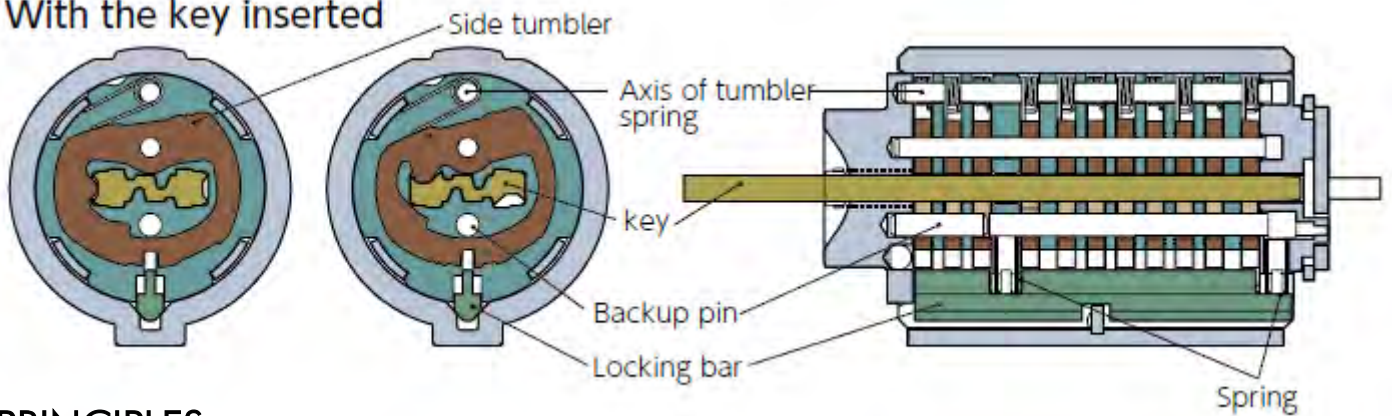


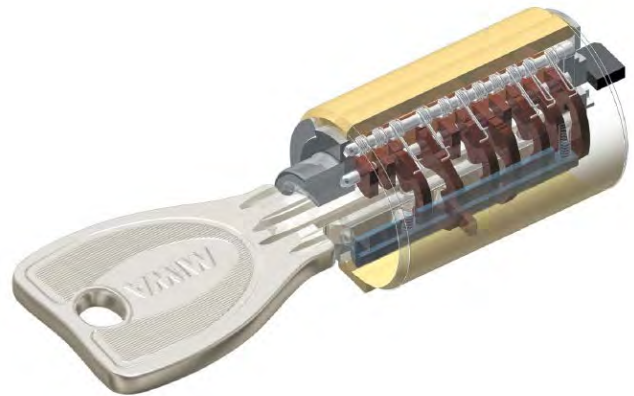
Fig.2

With the key inserted



PRINCIPLES

1. As shown in the figure above, without the key inserted, the locking bar is pushed by a spring into a groove on the cylinder body. Also, the tumblers are pushed by tumbler springs. In this condition, the cylinder plug is impeded by the tumblers (because the tumbler notch is not above the locking bar); therefore, it is impossible for the locking bar to rise, and it is impossible to turn the cylinder.



2. When a standard change key is inserted, the tumblers are pushed in by the key cuts and rotation occurs until the notch lines up with the top of the locking bar. In this condition, the taper of the groove and locking bar works against the spring, and the locking bar is pushed up, making it possible to turn the cylinder plug.

U9 CYLINDER

(ROTARY CYLINDER)

U9 Cylinder



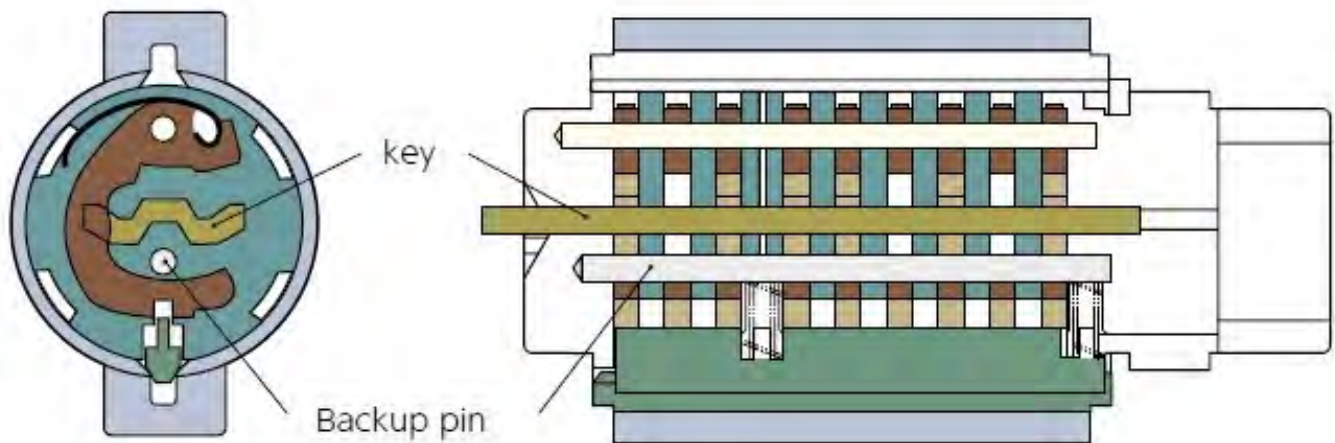
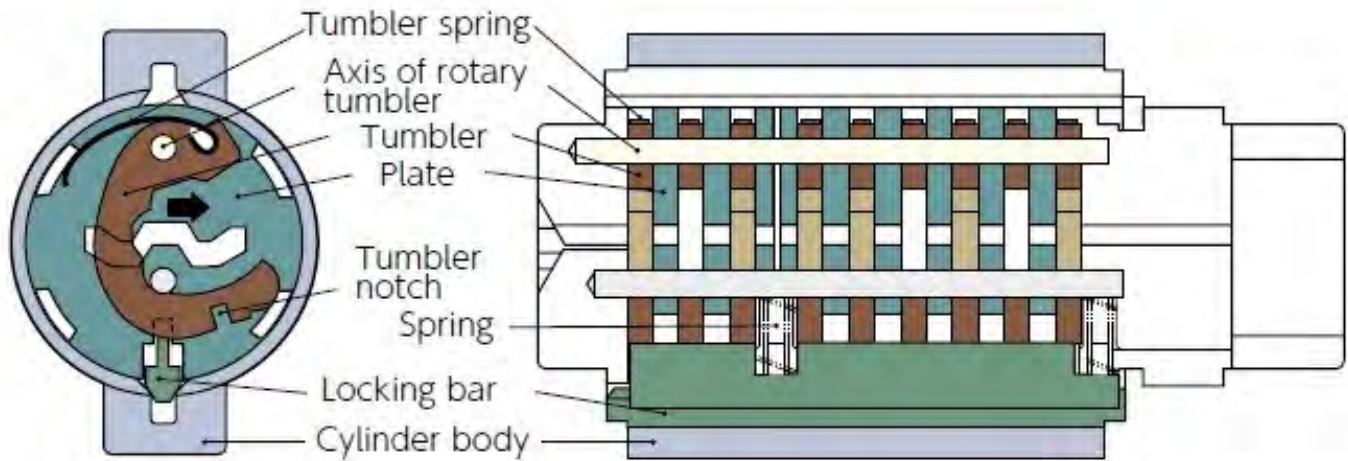
Keyway shape



Key shape

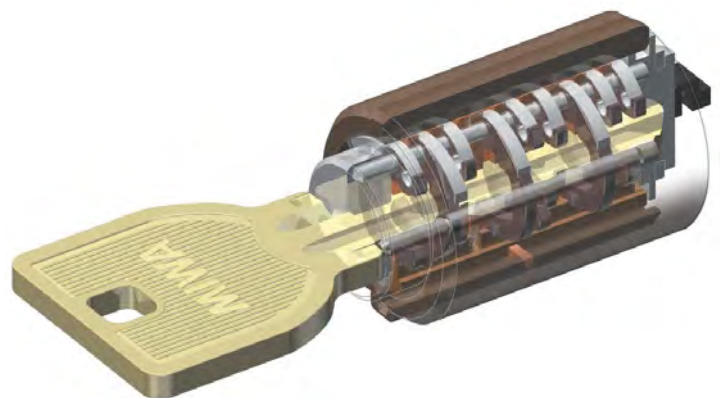
FEATURES

- **Good for large and Complicated Keying**
With nine tumblers positioned four-deep in nine double-sided chambers, this lock boasts 150,994,944 possible number of key combination.
- **Superior Durability**
Cylinder life is extended by the use of phosphor bronze, which is extremely wear-resistant.
- **High Security**
In addition to having ultra-safe rotary tumblers, the U9 features nine four-deep tumblers, making it extremely difficult to pick.
- **Available key systems**
 - ⇒ Master-keying system
 - ⇒ Grand master-keying system
 - ⇒ Great grand master keying system
 - ⇒ Multi-master-keying system
 - ⇒ Common keying system
 - ⇒ Keyed-alike system
 - ⇒ Construction keying system
 - ⇒ Display keying-emergency keying system



PRINCIPLES

1. Locking bar stays in V groove of cylinder body and prevents rotation of plug when locked.
2. Tumbler notches line up and give room for in-and-out movement of locking bar with change key insertion. Then locking bar is retracted by plug rotation according to slope-contacts between locking bar and cylinder body.



LEVER HANDLE AND PULL PLATES DESIGN

COMMERCIAL RANGE

TYPE 50



Stainless steel satin (ST)



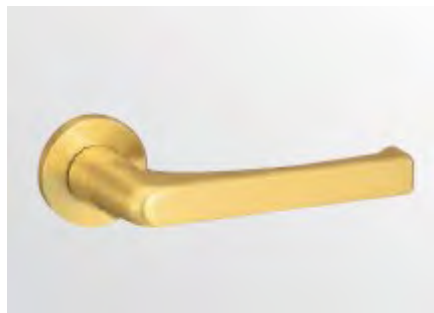
Stainless steel polished (SB)



Stainless steel (CB)



Stainless steel (CD)



Brass satin (BS)



Brass polished (YB)

TYPE 51



Stainless steel satin (ST)



Stainless steel polished (SB)



Stainless steel (CB)



Stainless steel (CD)

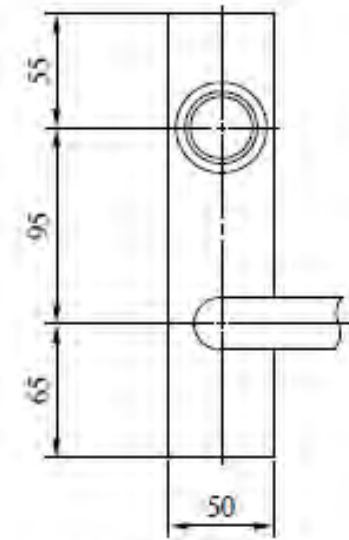
TYPE 52**Stainless steel satin
(ST)****Stainless steel
Polished (SB)****Stainless steel (CB)****Stainless steel (CD)****TYPE 66****Stainless steel satin (ST)****Stainless steel polished (SB)****Stainless steel (CB)****Stainless steel (CD)****Brass satin (BS)****Brass polished (YB)**

TYPE ELH11 (THIS MODEL SHOWS ONLY THE ESCUTCHEON. PLEASE NOTE CYLINDER, LEVER HANDLES ARE NOT INCLUDED.)

Indoor side (locking)



Stainless steel • Satin(ST)



Thickness:ELH11=8mm



Stainless steel • Polished(SB)

TYPE U9LHS50-1 (R=ELH11)



Stainless steel • Satin(ST)



Stainless steel • Polished(SB)



Stainless steel (CB)



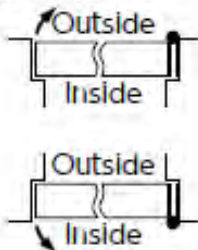
Stainless steel (CD)

TYPE ELH19,20 (THIS MODEL SHOWS ONLY THE ESCUTCHEON. PLEASE NOTE CYLINDER, LEVER HANDLES ARE NOT INCLUDED.)



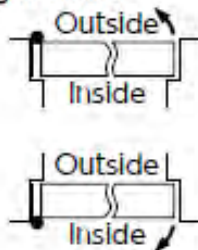
● How to determine whether to use a left hand or right hand handle in ELA19,20 types.

Left hand

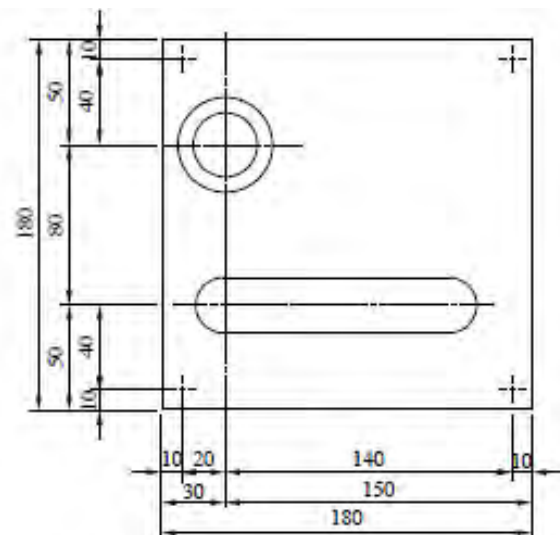


(Outside is to the left of the door end)

Right hand



(Outside is to the right of the door end)



Thickness: ELA19=4mm
 ELA20=2mm

This drawing shows a right hand.



RESIDENTIAL RANGE



TYPE 902



TYPE 942



TYPE 948



TYPE 957

LEVER HANDLE LOCKS



EASY TO OPERATE, SECURE LEVER HANDLE MORTISE LOCKS.

APPLICATIONS: ENTRYWAYS, OFFICES, HOSPITAL, PARTITIONS, OTHERS

- **Strong, durable lever handle locks**

In addition to easy to operate lever handle locks, the LA series provides the same outstanding strength and durability as the MA series.

- **A wide variety of lever handle types**

A wide range of lever handles is available in aluminium alloy, stainless steel and cast brass. Lever handles made of aluminum alloy and stainless steel can be coloured.

- **A wide variety of escutcheons also available**

- **Easy installation of lever handles with no play**

Installation of lever handles is easy and the design assures almost no play between the lever, lever shaft and case.

- **Single-side handle type: LA* -□H**

This model is used when a handle is installed on one side only and is suitable for steel doors only. Both left hand and right hand models are available. Please specify door hand when placing order.

- **Automatic locking type: LAT* -2A**

The door locks automatically (backset: 51 and 64 mm only).

Note that the dimensions of the case depth and washers are different from those of LA* Lever handle types 40, 41, 63, 65 and 67 are not mountable. For type 66, only the washer type is mountable.

- **Large-size AH thumb-turn also available**
- **Please use DA series as an auxiliary lock, the same key operation as LA series.**

- **Emergency opening device and indicator:**

LA * -8



Since this model has a red indicator showing that the room is occupied and an emergency opening device that allows you to unlock the door from the outside using a coin, it is suitable for bathrooms, powder rooms, and other such applications.

- **Dummy cylinder Type LA.DY**

A dummy cylinder can be covered existing cylinder – thumbturn hole.



- **L-front plate to guard the attack on the deadbolt**



A front plate with a guard function that protects the deadbolt. It hides the deadbolt from the outside, preventing a direct attack on the deadbolt.

- **Water prevention type**



This lock has water prevention function to prevent flooding in the room. Water prevention parts are attached with inside lever handle and thumb-turn.

Please contact us for more details.

Note1: Door thickness is limited to 40mm and lever handle design is only 50 type ST finish.

Note2: Water prevention capability depends on the performance of the door.

- **X-ray shielding type LA * -□X**

Using lead-containing liner to reduce X-ray leakage from the cut-out of the door. Suitable to use at the X-ray room.

(Only the back set 51mm or more) can not be used the lever handle 65 type.

- **Single-sided fixed handle or blank rose used for single-sided handle is also available.**

Type : LO · BR1 (single-sided fixed handle)



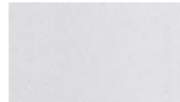
LO · BR2 (single-sided handle)





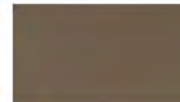
LEVER HANDLE LOCKS WITH EMERGENCY DEVICE

APPLICATIONS: INTERIOR DOOR, OTHERS.

- **Case Lock Type Mortise Locks**
Rose limited to separate type only.
- **Lever Handle**
Type 901, 902, 903, 980, 981, 983, 945, 946, 947, 951, 952, 953, 954, 957, 960, 961, 963, 964, 966 and 970 lever handles may be used.
- **Passage latches** ZLC*01, ZLC*02
- **Simple Lock** ZLC*01-KY, ZLC*02-KY
Specially suited to private rooms.
Note: Latchbolt is not fixed even when door is locked, so this product is not suited for use with entrance doors or other doors that are accessible from the outside.
- **Anti lock-out function (PAT) is provided.**
A safety mechanism has been implemented, which will not lock a door even when it is closed after the thumb turn is turned to the locking position, thus eliminating a lockout accident. Resin is used in many parts of the case, contributing to a silent operation.
- **Optional Parts**
Beveled front (with strike) - Type ZLCD*01-□, ZLCD*02-□
- **Variations**
Available in two versions, one with an emergency opening device (designated—6) and another with both an emergency opening device and indicator (designated—8). Also, available with two different round roses, the standard round rose and the 02 round rose.
- **Color Variation**
Die-cast zinc

		
CR	SN	PC

 Die-cast aluminium

		
SV	GD	CB



EASY OPERATION

APPLICATIONS: PARTITIONS, SICKROOMS, OTHERS.

Operation of lever handle is simple and the design assures that there is almost no play between lever and shaft, or between shaft and case.

- **A wide variety of lever handle types**

A wide range of lever handles is available in aluminum alloy, stainless steel and cast brass.

- **The lever handles on both sides of the door are fixed : LO * Z.**

Escutcheons are not available.

Models 40 and 41 are not available.

- **The lever handle on one side of the door is fixed : LO * -H.**

This model is used when it is desired to have a handle installed on one side of the door only. Both left hand and right hand models are available. This model is suitable for steel doors only.

- **Material and finishes**

Front strike:

18—8 Stainless steel (SUS304)

Satin finish

- **Specification**

Backset (mm) 31 · 38 · 51 · 64 · 76

Door thickness (mm) 25~33 · 33~42 ·

42~50 · 50~58 · 58~66



THIS IS A STANDARD CASE LOCK

APPLICATIONS: ENTRYWAYS, OFFICES, OTHERS.

- **Outstanding at preventing unauthorized entry, and highly durable.**

Combines the outstanding strength and durability of a mortise lock with easy-to-handle size. It is especially effective for front entrances and offices, as well as a wide range of other uses.

- **Model MA * -6 (with emergency opening device)**

These models have an emergency opening device which allows the door to be opened from the outside with a coin in case of an emergency. This model is suitable for toilets, bathrooms, powder rooms, etc.

- **Model MA * -8 (with emergency opening device and indicator)**

These model indicate by means of red panel when the interior is occupied. In case of emergency you can unlock the

door from the outside using a coin.

- **A flush-cup handle may be mounted in place of a knob.**

MAC * -□ for a single-side knob or flush-cup handle. MACC-□ for flush-cup handles on both sides. MACUC-□ for flush-cup handles on both sides. The MACUC model has flush-cup handles to prevent finger injuries.



- **Specification**

Backset (mm) 64 · 76 · 100

Spacing (mm) 80

Door thickness range (mm) 29~33 · 33~42 · 42~50 · 50~58 · 58~66



HM SERIES

THE HM MORTISE SERIES ARE KEY-IN-KNOB LOCKS WITH BUILT-IN DEAD-BOLT.

APPLICATIONS: ENTRYWAYS, OFFICES, WAREHOUSES, OTHERS.

HM Mortise Series Locksets with key-in-knob lock and built-in deadbolt design provide rapid installation and maximum security. The entire lock is well-balanced and the mechanism is durable.

This series of locksets has a wide range of applications, both residential and commercial. Used in combination with various locks for different purposes, they facilitate design and control of the ultimate keying system for an entire building.

- **Model HM* -1M (with emergency opening device cover)**

This model can be unlocked by breaking the cover and turning the thumb-turn in case of an emergency.

- **Model HM* -8 (with emergency opening device and occupancy indicator)**



Unlocking in case of an emergency (model HM*-8)

The model indicate by means of a red panel when the interior is occupied.

Model HM*-8 can be unlocked from

the outside using a hairpin or similar object in case of emergency.

D and W designs are available.

- **Specification**

Backset (mm) 51 · 64 · 76 · 100 · 127
(Note) An expansion brace is provided for 76 and above on request

Door thickness (mm) 33~42 · 42~50 · 50~58 · 58~66

HMS series: 25~29 · 29~33

Model HM* -8: 33~42 · 42~50

MIWA ELECTRIC

LOCKS

CATALOGUE



ELECTRIC LOCK SYSTEM APPLICATIONS

RESIDENCE: MAGICAL TEN-KEY SYSTEM



Create a life - no need to carry the key.

Benefits of the system

- Possible to unlock in the personal identification number, not need to have a key.
- Even if a personal identification number was known to others, available to change the number instantly, and maintains your security.
- Possible to lock and unlock the electric lock by pushing buttons in the kitchen.
- Possible to check the status of the door from the kitchen.

APARTMENT BUILDING : COMMON ENTRANCE



Unlocking the apartment entrance system using non-contact IC keys: Raccess series or non-touch series. (VERSA Access Controller)

Benefits of the system

- Unlocking with a simple operation, easy to use for elders and children: passing by holding the non-touch key to the reader; passing by simply putting Raccess key in the bag.
- Maintain a high level security: If a non-contact ID key is lost, you can simply delete the lost key.

HOTEL: HOTEL CARD LOCK SYSTEM



High-technology card has a variety of functions.

Benefits of the system

- Realization for labor-saving of front desk work and space saving of the front desk.
- Possible to issue multiple cards to one room, it is convenient for multiple guests of one room.

COMPANY-OWNED OFFICE BUILDING: ACCESS CONTROL SYSTEM



An access control system that can centrally manage several gates (doors)

Benefits of the system

- The access control unit allows you to effectively construct a suitable system for your building.
- Up to 3,000 people can be managed.

Please contact us for more information regarding the available MIWA electric lock system.




www.azecodry.com

PRODUCT CATALOGUE



Alliancz International Pte Ltd

Disclaimer

Information in this catalogue is correct at the time of printing and valid but may be subject to change.

This material does not purport to constitute legal or professional advice. Allianz accepts no responsibility for and makes no representations, whether express or implied, as to the accuracy or reliability in any respect of any material in this publication. Except to the extent mandated otherwise by legislation, Allianz does not accept responsibility for the consequences of any reliance which may be placed on this material by any person.

Allianz will not be liable to you or to any other person for any loss or damage (including direct, consequential or economic loss or damage) however caused and whether by negligence or otherwise which may result directly or indirectly from the use of this publication.

Copyright Allianz International
© Allianz International 2018.

Except as permitted by the Copyright Act, this material may not be reproduced, stored or transmitted without the permission of the copyright owner. All enquiries must be directed to Allianz International.

Published by Allianz International 2018.

CONTENTS PAGE

ECODRY INTRODUCTION	4
FEATURES	5
AZECODRY BASIC SERIES	6
CALOR 128	7
BRISA 130	8
QUAY 130	9
AZECODRY LF SERIES	10
VENTUS 168	11
AZECODRY LH SERIES	12
FRIGUS 168	13
RENOV 168	14
SECO 168	15



Drying clothes is considered to be a simple task. However with limited space and options available you can quickly find yourself precariously hanging your clothes out of windows, or hanging your clothes so high on your ceiling you need to use grabbing instruments just to reach them. AZecodry provides a solution to all of your drying problems, while also going above and beyond your needs. Every AZecodry rack is remote controlled and can be lowered and raised, making for easy hanging, but out-of-sight drying. Our range also includes automated drying racks that come with lighting, fans, heaters, sterilamps (for pure, cleaner air) and even Bluetooth speakers.

The space efficiency and total set of functions provided by the AZecodry range make it not just an accessory, but a necessity in apartment and condominium living. Even when it is not being utilized as a drying rack, it can still be used as a light source, a cooling or heating element, as well as a speaker. Where before you had a dead space in your home dedicated to hanging clothes and hoping they will dry in time, the AZecodry range now reinvigorates that space and turns it into a new exciting part of your home.

FEATURES



Remote Controls

You can control the lighting, fan, heater and auto lowering function all with a simple wireless remote.



Light source

An in-built light illuminates the area, helping to sort and find drying clothes, especially in dark areas or at night time. This light can also be used as a light source for other activities.



Automatic lowering and lifting of clothing poles

The clothing and quilt poles can be lowered when you want to hang out clothing, and then raised so it is out of the way while it dries.



Sterilamp (Anion function)

An inbuilt air ionizer helps to release clean air free of pollen and bacteria to keep clothing free of germs. Ionized air greatly benefits people's health as well as preventing diseases.



Fan power

In built adjustable fan power to assist in the drying process while also keeping the air fresh around the clothes and quilts.



Bluetooth speaker

An inbuilt Bluetooth speaker can play music or radio from your mobile device. This can create a calming atmosphere and can help to improve the experience of hanging out clothes to dry.



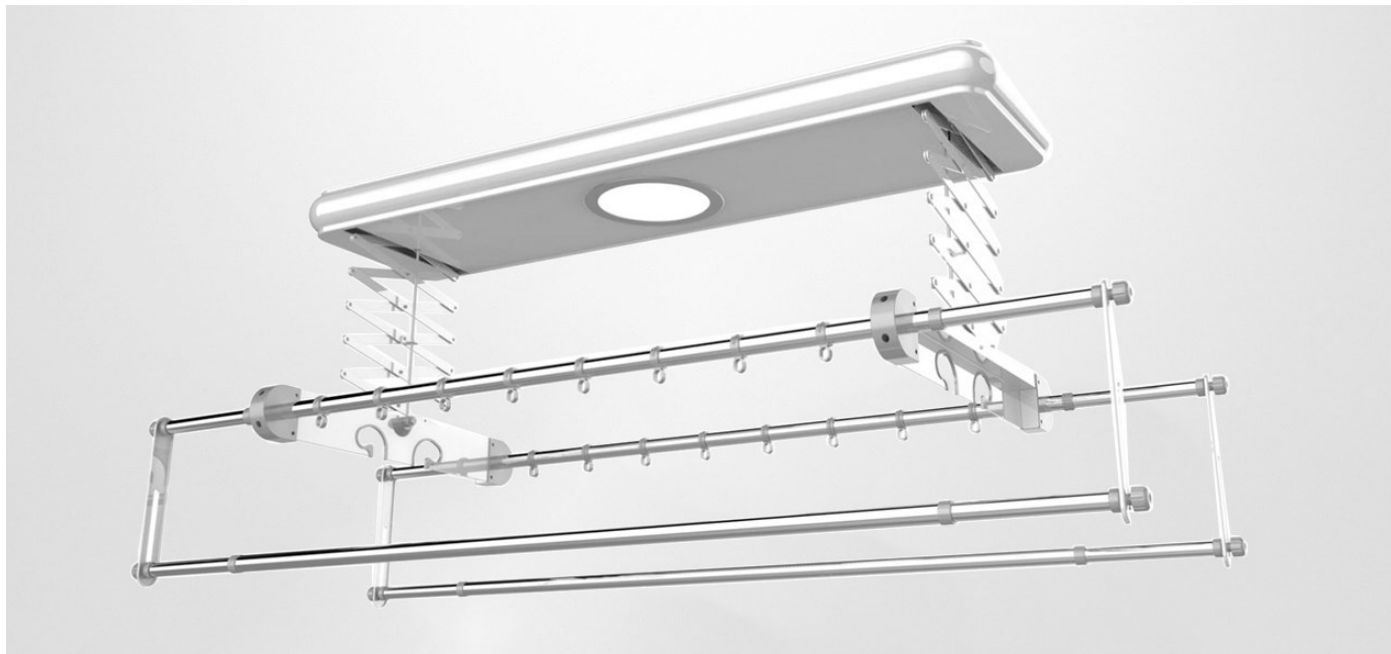
Heater function

Heater function included to assist in a super fast drying process while keeping fabrics warm.



AZECODRY
BASIC
SERIES

CALOR 128

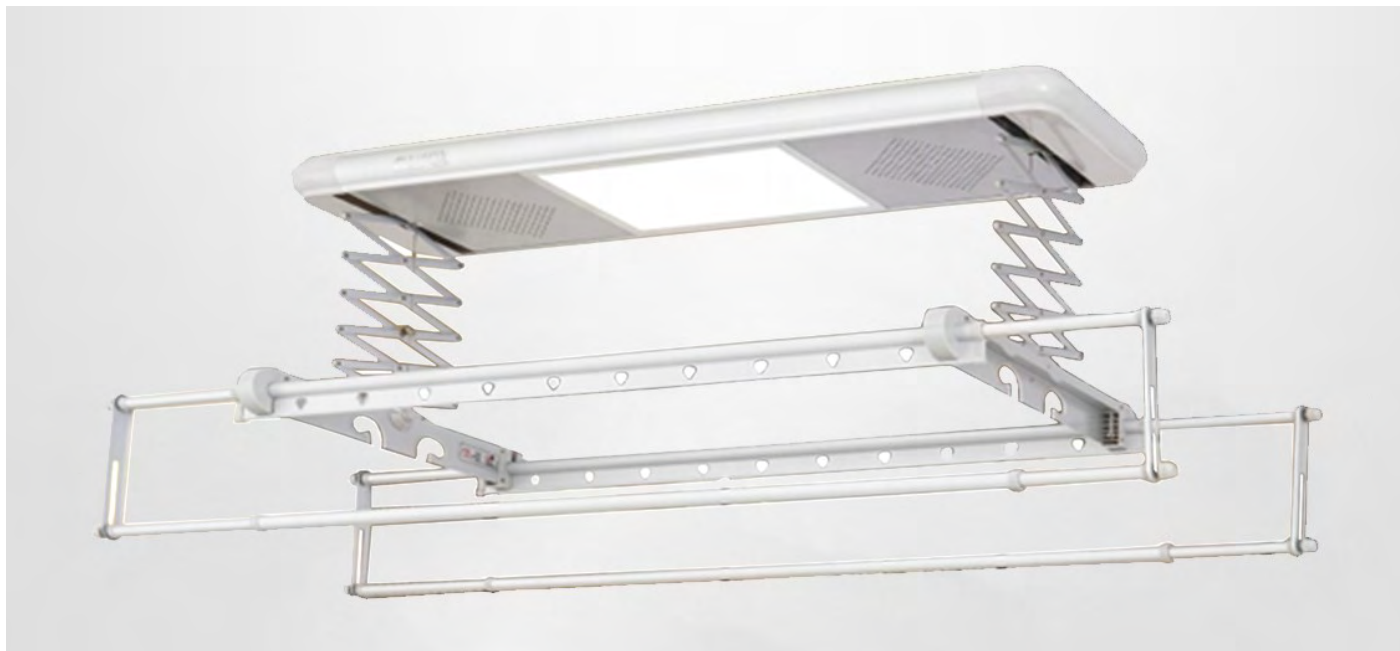


Model: Calor



Colour	Moon Silver
Length of Engine	124cm
Pole Size Range	130-230cm
No. of Clothes Poles	2
Distance between Poles	54cm
LED Power	18 W

BRISA 130

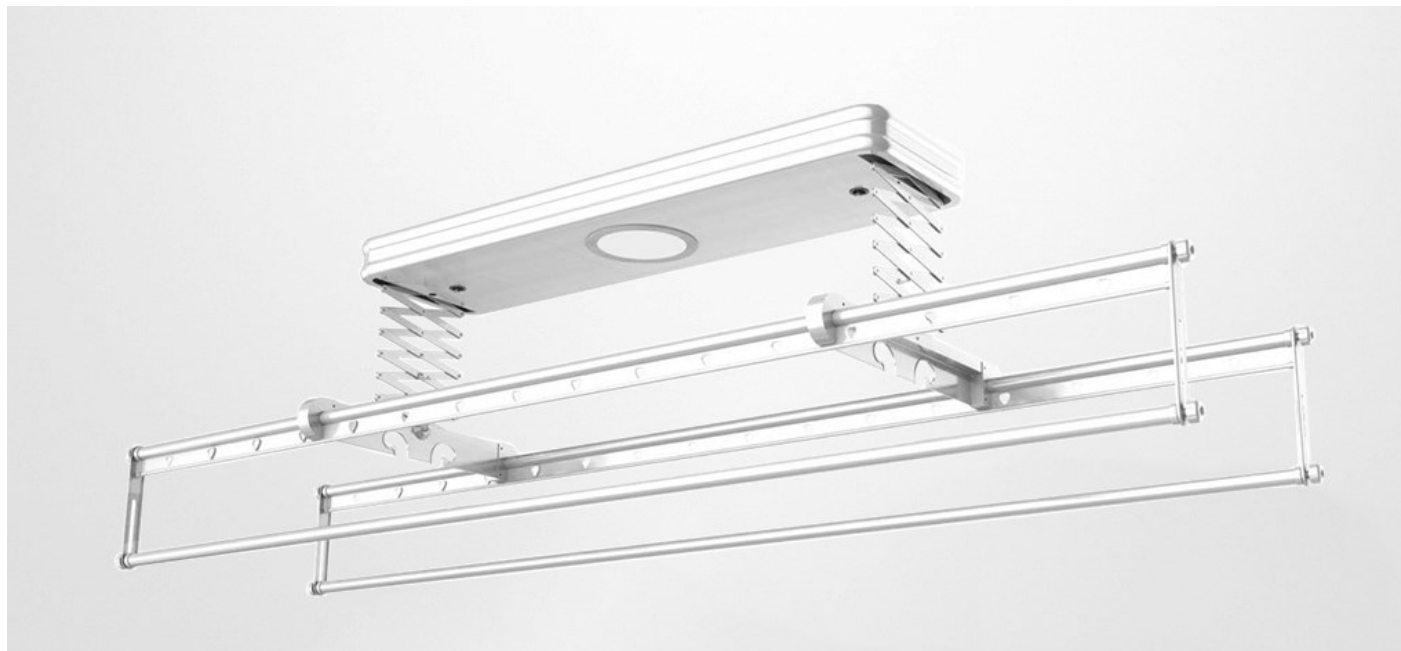


Model: Brisa



Colour	Marble Grey
Length of Engine	132cm
Pole Size Range	130-230cm
No. of Clothes Poles	2
Distance between Poles	54cm
Voltage Rating	AC220/50Hz
Motor Power	121 W
LED Power	24 W

QUAY 130



Model: Quay



Colour	India White
Length of Engine	130cm
Pole Size Range	130-230cm
No. of Clothes Poles	2
Distance between Poles	51cm
Voltage Rating	AC220/50Hz
Motor Power	121 W
LED Power	24 W

*Please note the 130 series does not include drying & venting power as the smaller engine does not include the warm/cold air capacity and bactericidal lamp

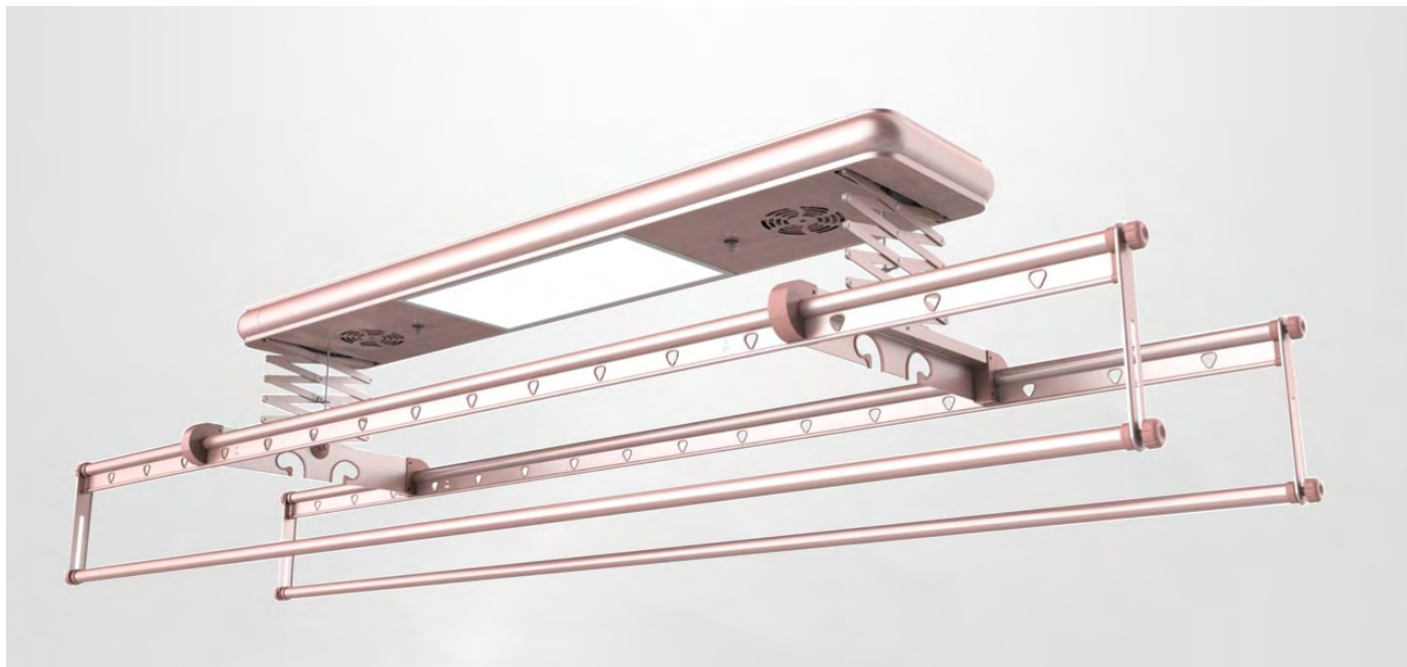


AZECODRY

LF

SERIES

VENTUS 168



Model: Ventus



Colour	Ruby Rose
Length of Engine	168cm
Pole Size Range	170-240cm
No. of Clothes Poles	2
Distance between Poles	54cm
Venting Power	21w*2
Sterilamp Power	3W*2
LED Power	24 W



AZECODRY

LH

SERIES

FRIGUS 168



Model: Frigus



Colour	Karat Gold
Length of Engine	162cm
Pole Size Range	170-270cm
No. of Clothes Poles	2
Distance between Poles	54cm
Venting Power	13w*2
Drying Power	400W*2
Sterilamp Power	3W*2
LED Power	24 W

RENOV I68



Model: Renov



Colour	Electrum Gold
Length of Engine	168cm
Pole Size Range	170-270cm
No. of Clothes Poles	2
Distance between Poles	51cm
Venting Power	13w*2
Drying Power	350W*2
Sterilamp Power	7W*2
LED Power	24 W

SECO I68



Model: Seco



Colour Cascade Red

Length of Engine 162cm

Pole Size Range 170-260cm

No. of Clothes Poles 2

Distance between Poles 51cm

Venting Power 13w*4

Drying Power 400W*4

Sterilamp Power 7W*2

LED Power 24 W



Alliancz International Pte Ltd

CONTACT US

ALLIANCZ INTERNATIONAL PTE LTD

Address: 40 Ubi Crescent, #01-02, Ubi Techpark, Singapore 408567

Website: www.allianczinternational.com

Email: enquiry@allianczinternational.com

Telephone: 6743 3313